

DISHWASHER

Repair Parts List

MODEL NUMBER

JDB1100AWS

When requesting service or ordering parts, always provide the following information:

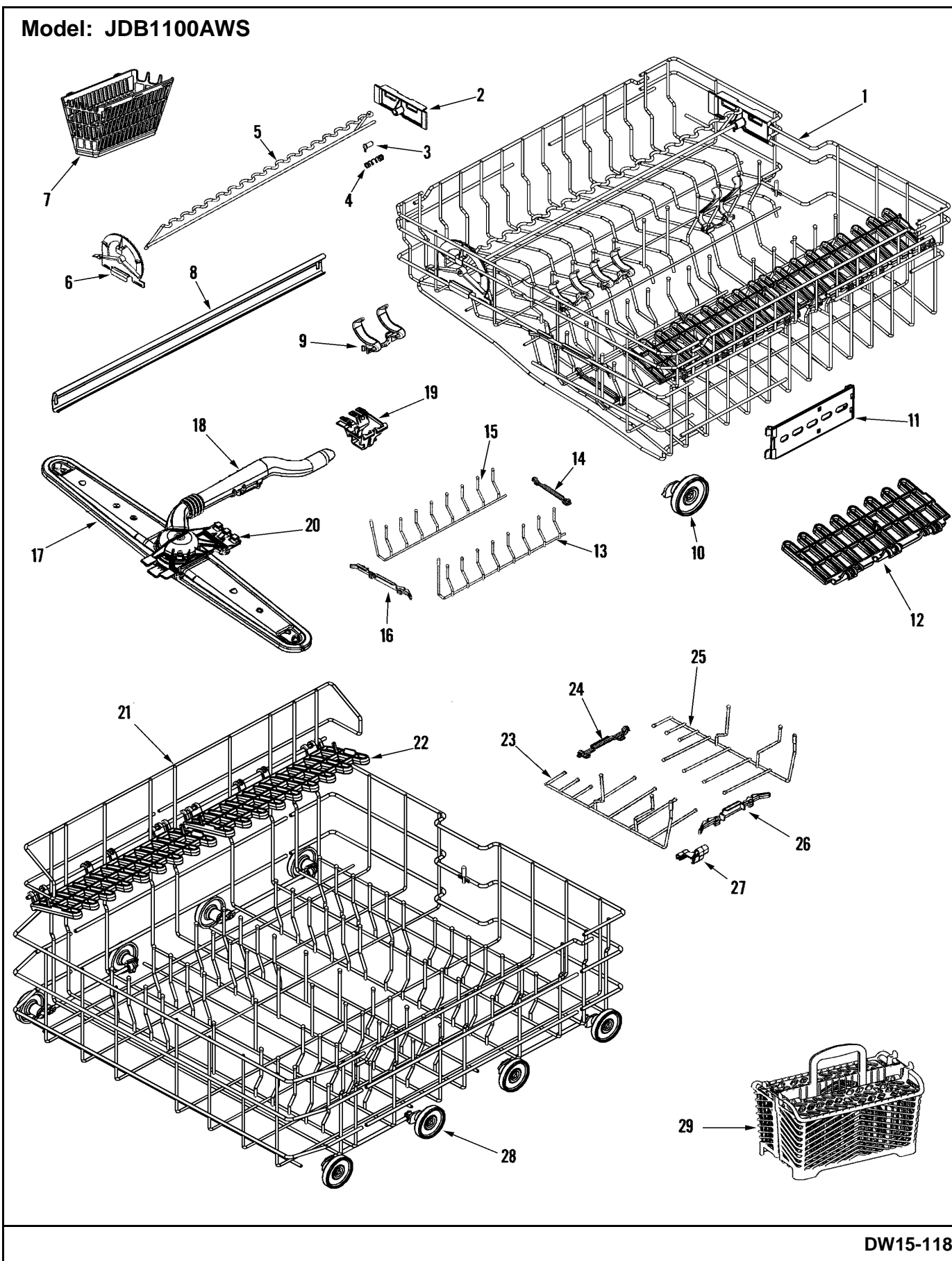
- Product Type
- Part Number
- Model Number
- Part Description

MAYTAG®

©2005 Maytag Services

Section: RAIL & RACK ASSEMBLY

Model: JDB1100AWS



DW15-118

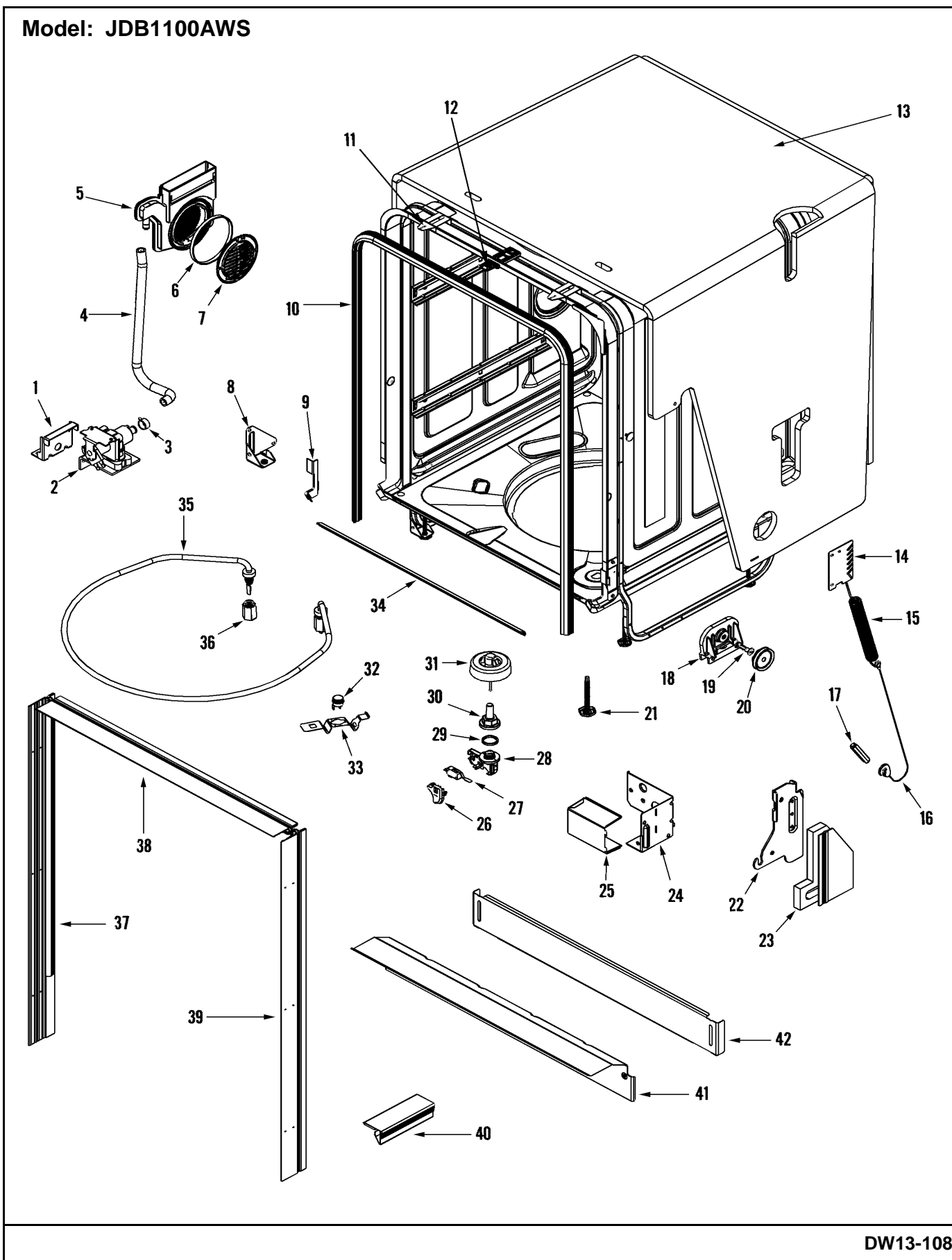
Section: RAIL & RACK ASSEMBLY

No.	Part No.	Description	Series	Qty
1	99003098	RACK ASSEMBLY (UPR)	10	1
1	99003216	RACK ASSEMBLY (UPR)	23	1
-	99003062	CAP, RACK (METALLIC GRAY)	10	1
2	99003109	REAR, VARILOCK	10	1
3	99003111	CUP, VARILOCK	10	1
4	99002715	SPRING, VARILOCK	10	1
5	99003110	SUPPORT, VARILOCK	10	1
6	99003108	FRONT, VARILOCK	10	1
7	99003117	BASKET, AUXILLARY	10	1
8	99003066	RAIL, INNER SLIDE	10	2
-	99003067	STOP, RAIL (DARK GRAY)	10	4
-	99003068	BEARING, BALL	10	8
-	99003069	CAGE, BALL BEARING	10	2
9	99003107	CLIP, CUP (LT GRAY)	10	3
10	99003148	WHEEL ASSEMBLY (UPR)	10	4
11	99003063	GUARD, RACK (HIGH SIDE)	10	1
-	99003064	GUARD, RACK (LOW SIDE)	10	1
12	99003065	SHELF, CUP (UPR)	10	2
13	99003103	TINE, FOLD AWAY (RT)	10	1
14	99003105	PIVOT, FOLD AWAY TINE	10	2
15	99003104	TINE, FOLD AWAY (LT)	10	1
16	99003106	LATCH, FOLD AWAY TINE	10	1
17	99003070	ARM, WASH (UPR-DARK GRAY)	10	1
18	99003142	WASH MANIFOLD ASSY (UPR)	10	1
19	99003071	CLIP, UPR WASH MANIFOLD (BACK)	10	1
20	99003072	CLIP, UPR WASH MANIFOLD (FRT)	10	1
21	99003099	RACK ASSEMBLY (LWR)	10	1
-	99003062	CAP, RACK (METALLIC GRAY)	10	1
22	99003074	SHELF, CUP (LWR)	10	2
23	99003112	TINE, CONVERTIBLE (FRT)	10	1
24	99003114	PIVOT, CONVERTIBLE TINE	10	2
25	99003113	TINE, CONVERTIBLE (REAR)	10	1
26	99003115	LATCH, CONVERTIBLE TINE	10	1
27	99003116	LATCH, SECONDARY CONV. TINE	10	2
28	99003149	WHEEL ASSEMBLY (LWR)	10	8
-	99003102	COVER, SILVERWARE BASKET	10	2
-	99003101	BASKET, SILVERWARE (HALF)	10	2
29	99003100	BASKET, SILVERWARE SPLIT/FIT	10	1

*Color Code (-)=Not Shown #=Series, Serial Prefix or Run No., N=Not Available

Section: TUB

Model: JDB1100AWS



DW13-108

Section: TUB

No.	Part No.	Description	Series	Qty
1	99002629	BRACKET, WATER VALVE	10	1
-	99002601	SCREW 10-32X.400 (T-20 HEAD) Note: SCREW, BRACKET	10	2
2	99002975	VALVE, WATER	10	1
-	99002553	SCREW-#8X7/16 HEX WASHER HEAD Note: SCREW, WATER VALVE	10	2
3	911856	CLAMP, SPRING	10	2
4	99002852	HOSE, INJECTOR	10	1
5	99003028	INLET, AIR/WATER	10	1
6	99002150	SEAL, AIR/WATER INLET	10	1
7	99003078	GRILL, AIR/WATER INLET	10	1
-	99002601	SCREW 10-32X.400 (T-20 HEAD) Note: SCREW, BRACKET	10	2
8	99002636	BRACKET, SUPPORT (LT)	10	1
9	99003038	TRIM, CORNER EDGE (LWR-LT)	10	1
-	99003039	TRIM, CORNER EDGE (LWR-RT)	10	1
10	99003030	SEAL, DOOR	10	1
11	99002648	BRACKET, CABINET MOUNTING	10	2
-	99002601	SCREW 10-32X.400 (T-20 HEAD) Note: SCREW, STRIKER	10	1
12	99002644	STRIKER, DOOR	10	1
-	99002640	FASTENER, INSULATION	10	2
13	99002849	INSULATION, TUB	10	1
14	99002610	BRACKET, SPRING ADJUSTMENT	10	2
-	99002601	SCREW 10-32X.400 (T-20 HEAD) Note: SCREW, BRACKET	10	4
15	99003118	SPRING, DOOR	10	2
16	99002605	CABLE, DOOR	10	2
17	99002606	LINK, DOOR CABLE	10	2
-	99002601	SCREW 10-32X.400 (T-20 HEAD) Note: SCREW, BRACKET	10	4
18	99002607	BRACKET, CABLE	10	2
19	99002609	SHOULDER BOLT, CABLE BRACKET	10	2
20	99002608	ROLLER, CABLE BRACKET	10	2
21	99002635	LEG, LEVELING	10	4
22	99002928	SUPPORT, HINGE (LT)	10	1
22	99002927	SUPPORT, HINGE (RT)	10	1
-	99002601	SCREW 10-32X.400 (T-20 HEAD) Note: SCREW, SUPPORT	10	4
-	99002762	BACKER, HINGE SEAL (RT)	10	1
23	99002761	BACKER, HINGE SEAL (LT)	10	1
24	99002637	BRACKET, JUNCTION BOX SUPPORT	10	1
-	99002601	SCREW 10-32X.400 (T-20 HEAD) Note: SCREW, BRACKET	10	2
-	912365	SCREW Note: SCREW, COVER	10	1
25	99002638	COVER, JUNCTION BOX	10	1
26	99003079	COVER, SWITCH	10	1
27	99002631	SWITCH, FLOAT	10	1
28	99003031	HOLDER, FLOAT SWITCH	10	1
29	99003040	SEAL, STANDPIPE	10	1
30	99003037	STANDPIPE, FLOAT	10	1
31	99003080	FLOAT (DARK GRAY)	10	1
32	99002633	THERMOSTAT, LIMITING	10	1
33	99001008	CLIP, THERMOSTAT	10	1
34	99003041	TRIM, TUB EDGE (BTM)	10	1
35	99002971	HEATER (W/GASKET)	10	1
-	99002973	GASKET, HEATER	10	1
36	99003033	NUT, HEATER	10	2
37	99003034	STRIP, TRIM (LT)	10	1
-	99002692	SCREW, TRIM MOUNTING Note: SCREW, TRIM STRIP	10	4
38	99003036	STRIP, TRIM (TOP)	10	1
39	99003035	STRIP, TRIM (RT)	10	1
-	99002692	SCREW, TRIM MOUNTING Note: SCREW, TRIM STRIP	10	4
40	99002701	GAP SEAL, TOE KICK (BLK)	10	1

*Color Code (-)=Not Shown #=Series, Serial Prefix or Run No., N=Not Available

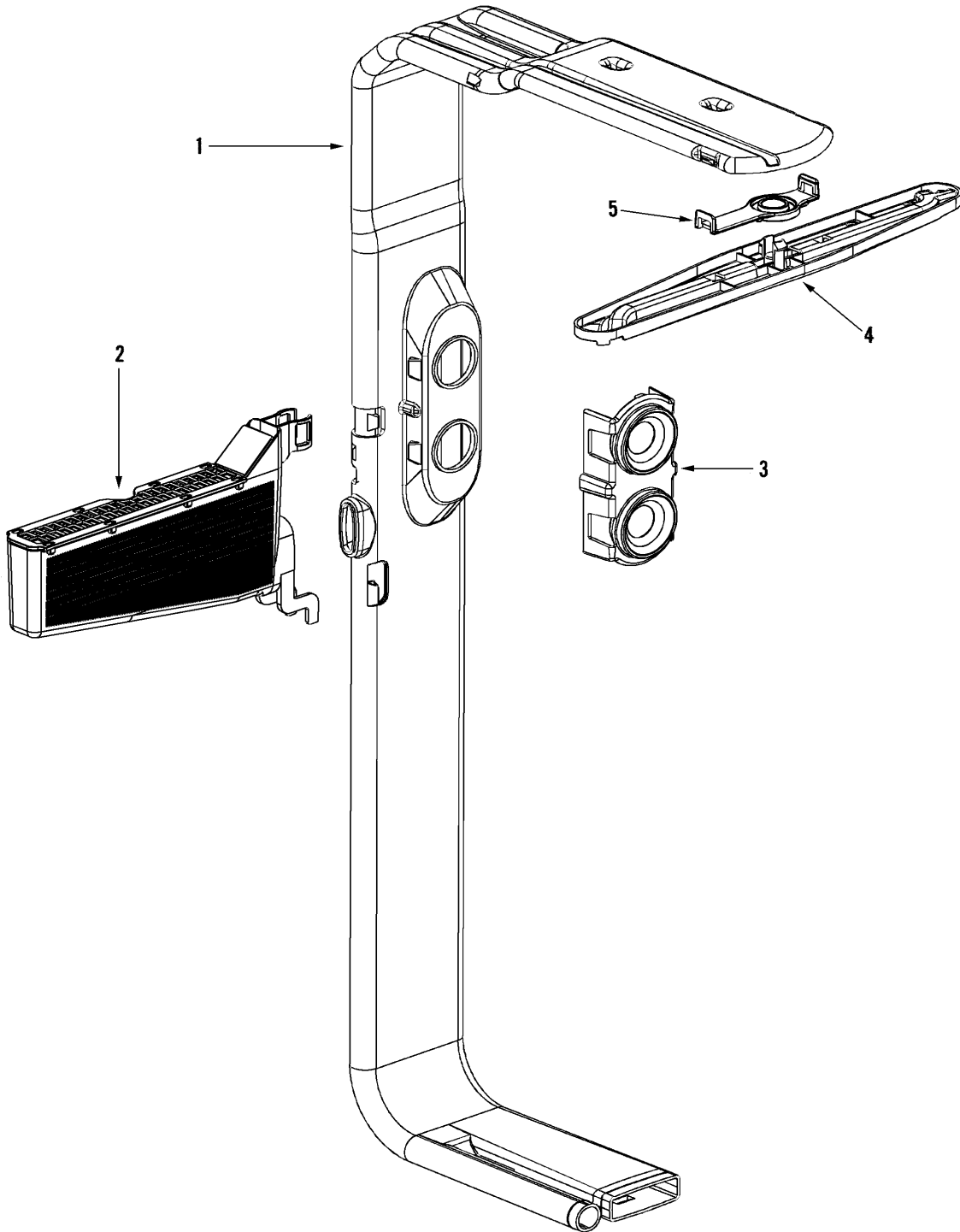
Section: TUB

No.	Part No.	Description	Series	Qty
41	99002859	SUPPORT, FRONT (W/SEALS)(BLK)	10	1
-	912366	SCREW --+*** Note: SCREW, SUPPORT (BLK)	10	2
42	99002765	PANEL, TOE (W/DAMPER-BLK)	10	1
-	912366	SCREW --+*** Note: SCREW, PANEL (BLK)	10	2
-	99002694	SOUND SEAL, TOE PANEL (BLK)	10	1
-	99003087	BRACKET, REAR SUPPORT	10	1

*Color Code (-)=Not Shown #=Series, Serial Prefix or Run No., N=Not Available

Section: WATER DISTRIBUTION ASSEMBLY

Model: JDB1100AWS



DW14-74

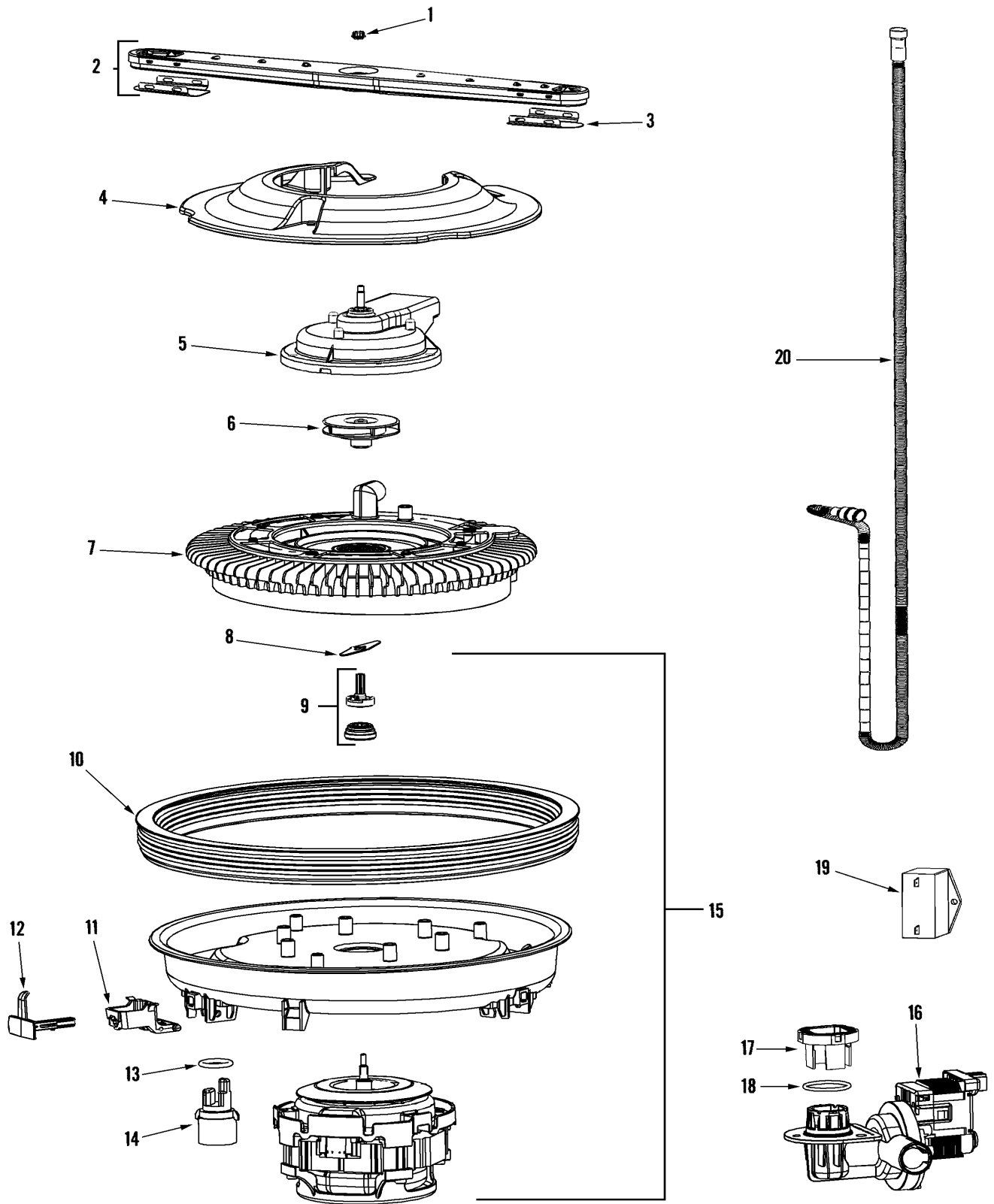
Section: WATER DISTRIBUTION ASSEMBLY

No.	Part No.	Description	Series	Qty
1	99003081	MANIFOLD, MAIN	10	1
2	99003082	FILTER, OVER-PRESSURE (W/CVR)	10	1
-	W10124350	NOT REQUIRED PART OR SEE NOTE Note: (PART NO LONGER NEEDED AT SERIES 25)	25	0
3	99003143	STATION, DOCKING (W/FLAPPERS)	10	1
4	99002676	WASH ARM, TOP (W/RETAINER)	10	1
5	99002753	RETAINER, TOP WASH ARM	10	1

*Color Code (-)=Not Shown #=Series, Serial Prefix or Run No., N=Not Available

Section: PUMP & MOTOR

Model: JDB1100AWS



DW14-76

Section: PUMP & MOTOR

No.	Part No.	Description	Series	Qty
1	99003083	CAP, WASH ARM (DARK GRAY)	10	1
2	99003144	ARM, LOWER WASH (W/SHIELDS)	10	1
3	99002653	SHIELD, RADIANT	10	2
4	99003084	GUARD, FILTER (DARK GRAY)--SUB	10	1
-	99002666	SCREW Note: SCREW, GUARD	10	3
-	99002664	SCREW, DISCHARGE HOUSING	10	6
5	99003145	DISCHARGE HOUSING ASSY (UPR)	10	1
6	99002659	WASH IMPELLER ASSEMBLY	10	1
-	99002987	SCREW, IMPELLER	10	1
-	99002668	SCREW, STAINLESS PAN HEAD Note: SCREW, FILTER/FLOWPLATE	10	3
7	99003085	FILTER/FLOWPLATE ASSEMBLY	10	1
8	99002658	CHOPPER	10	1
9	99002981	WASH MOTOR SEAL KIT	10	1
10	99003055	GASKET, MOTOR MOUNT	10	1
11	99003056	LEVER, MOTOR MOUNT	10	3
12	99003057	PLUNGER, MOTOR MOUNT	10	3
13	99002651	O-RING, TURBIDITY SENSOR	10	1
-	912615	SCREW, #8X1/2 HEX WASHER HEAD Note: SCREW, SENSOR	10	2
14	99002650	SENSOR, TURBIDITY	10	1
15	99003146	WASH MOTOR ASY (SEAL NOT INCL)	10	1
16	99003141	DRAIN PUMP ASSEMBLY	10	1
-	99002815	FLAPPER, DRAIN PUMP VALVE	10	1
-	99002740	SCREW, TRUSS HEAD (10-18X.75) Note: SCREW, DRAIN PUMP	10	3
17	99003058	FLAPPER, DRAIN FILTER	10	1
18	99002857	O-RING, DRAIN PUMP	10	1
19	99002665	CAPACITOR, MOTOR	10	1
-	99002601	SCREW 10-32X.400 (T-20 HEAD) Note: SCREW, CAPACITOR	10	1
20	99002652	HOSE, DRAIN	10	1
-	99002656	CLAMP, DRAIN HOSE (1-3/8")	10	1

*Color Code (-)=Not Shown #=Series, Serial Prefix or Run No., N=Not Available

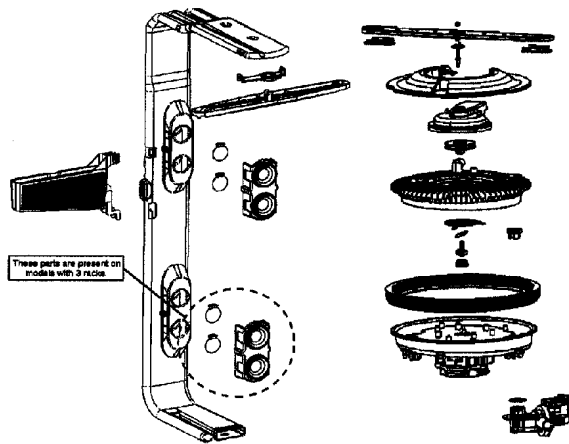
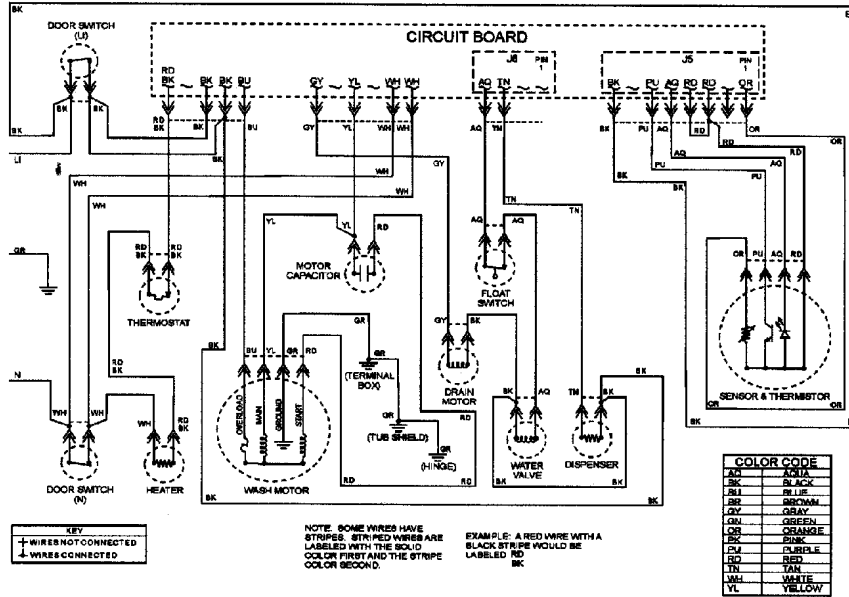
Section: SUPPLEMENTAL INFORMATION

No.	Part No.	Description	Series	Qty
-	6918350	MANUAL, USE & CARE	10	1
-	16022783	MANUAL, SERVICE DW	10	1
-	99003119	GUIDE, ENERGY	10	1
-	99002854	MISC. PARTS PACKAGE	10	1
-	99003026	HARNESS, WIRE (W/CLIP)	10	1
-	99003308	HARNESS, WIRE	24	1

*Color Code (-)=Not Shown #=Series, Serial Prefix or Run No., N=Not Available

Section: WIRING INFORMATION

Model: JDB1100AWS

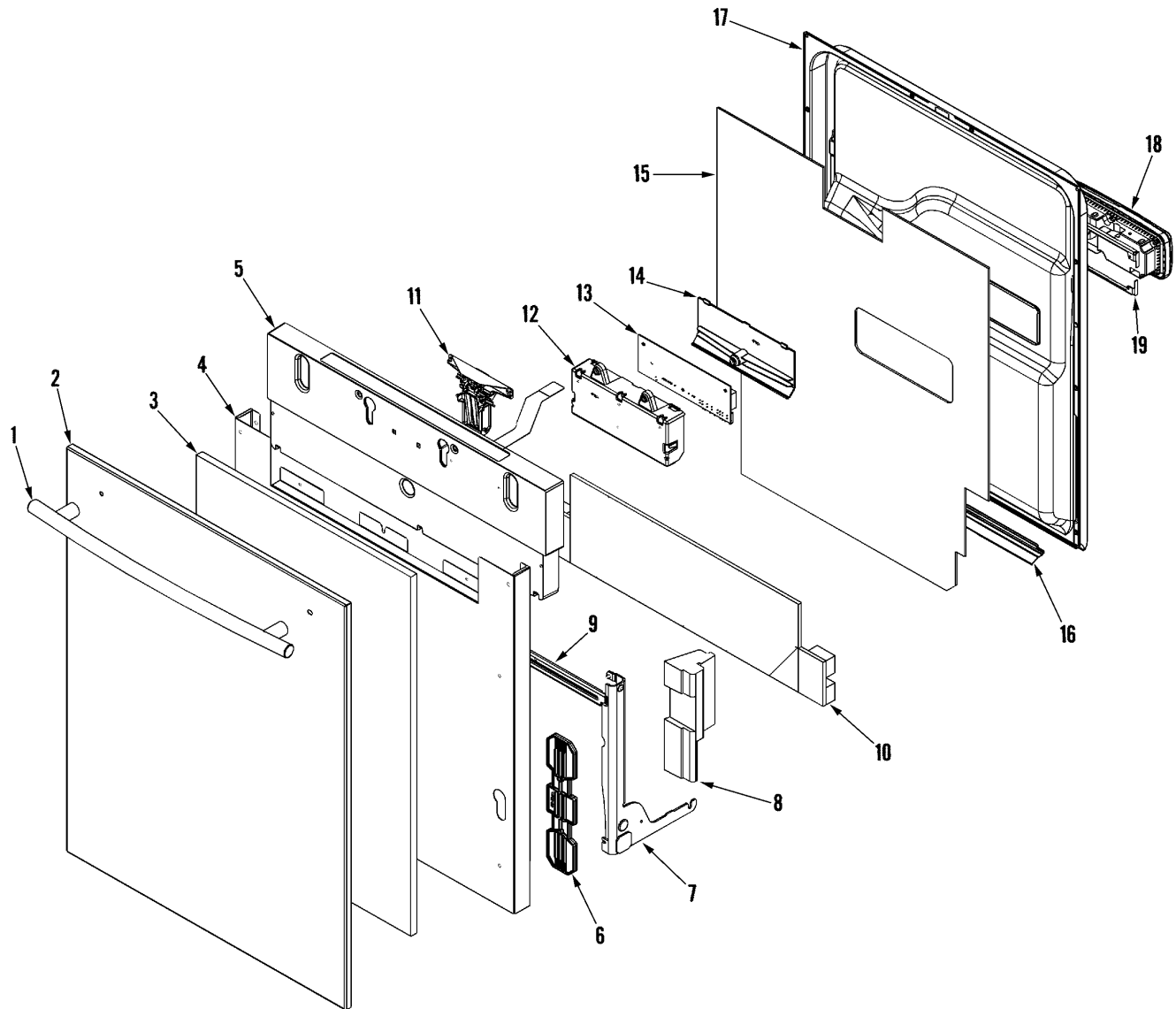


Component information

Wash Motor	1/3 HP motor, 120V / 60Hz, 2.5 amps, 3350 RPM Main wattage, 285 watts Start wattage, 1115 watts
Water Valve	120V / 60Hz, 7 watts 1.13 ± .10 gpm at 20 - 120 psi
Heating Element	120V / 60Hz, 650 watts ± 5% in air 830 watts ± 5% in 90°F water
Limit Thermostat	SPST 1/2 terminal switch Close at 146° ± 7°F (65.0° ± 3.9°C) Open at 164° ± 4°F (73.3° ± 2.3°C)
Thermistor	Resistance and tolerance: 10kΩ ± 3% at 77°F (25°C) and 2.4kΩ ± 6.5% at 140°F (60°C)
Wax Motor	Detergent & Rinse Aid - 120V Incremental duty with 1/4" actual stroke within 90 seconds
Capacitor	300V / 50 - 60Hz 185°F(85°C), 15µf ± 10% / -5%
Drain Motor	45 watts

Section: CONTROL PANEL & DOOR

Model: JDB1100AWS



DW12-74

Section: CONTROL PANEL & DOOR

No.	Part No.	Description	Series	Qty
1	99003088	BAR, TOWEL	10	1
-	99003154	SCREW-TRUSS HEAD 1/4-20 T20 Note: SCREW, TOWEL BAR	10	2
-	99003089	STUDS, TOWEL BAR	10	2
-	99003097	PLATE, TOWEL BAR BACK	10	2
2	99003091	PANEL, DECORATOR (STNLS) Note: (ALSO ORDER 99003049)	10	1
3	99003093	PAD, FOAM	10	1
4	99003094	SUPPORT, INNER DOOR (BLK)	10	1
-	99002934	DAMPER (6"X 18")	10	1
-	912615	SCREW, #8X1/2 HEX WASHER HEAD Note: SCREW, CONTROL PANEL	10	3
5	99003139	PANEL, CONTROL (BLK)	10	1
-	99003096	FASTENER, PANEL	10	2
-	99003096	FASTENER, PANEL	10	2
6	99003095	ANCHOR, PANEL FASTENER	10	2
-	99001075	SCREW Note: SCREW, BRACKET	10	4
- N	99003051	FELT, HINGE	10	2
-	99003049	WRAP, FOAM	10	2
7	99002929	BRACKET, HINGE (LT) Note: (NEED TO ORDER 99003049 & 99003051 WHEN REPLACING THIS PART)	10	1
7	99002930	BRACKET, HINGE (RT) Note: (NEED TO ORDER 99003049 & 99003051 WHEN REPLACING THIS PART)	10	1
8	99003047	BLOCK, FOAM (RT)	10	1
-	99003046	BLOCK, FOAM (LT)	10	1
9 N	99002604	CROSSBRACE, HINGE	10	1
10	99003048	BARRIER, FOAM	10	1
11	99002580	LATCH ASSEMBLY	10	1
-	99002751	SWITCH, DOOR	10	2
12	99002576	HOUSING, BOARD (BASE)	10	1
-	912615	SCREW, #8X1/2 HEX WASHER HEAD Note: SCREW, HOUSING	10	2
13	99002977	BOARD, CONTROL	10	1
-	912615	SCREW, #8X1/2 HEX WASHER HEAD Note: SCREW, HOUSING	10	1
14	99002575	HOUSING, BOARD (TOP)	10	1
15	99003044	INSULATION, DOOR	10	1
16	99003045	SEAL, DOOR (BTM)	10	1
-	Y912620	SCREW Note: SCREW, INNER DOOR	10	8
17	99003140	DOOR, INNER (W/DAMPER)	10	1
-	99002270	SEAL, BASE	10	1
18	99003059	RINSE AID/DETERGENT DISPENSER	10	1
-	99003060	KNOB, RINSE AID (W/O-RING)	10	1
19	99002465	BRACKET, DISPENSER	10	2
-	912615	SCREW, #8X1/2 HEX WASHER HEAD Note: SCREW, BRACKET	10	6

*Color Code (-)=Not Shown #=Series, Serial Prefix or Run No., N=Not Available

