

REFRIGERATOR

Repair Parts List

MODEL NUMBER

MFI2568AES

When requesting service or ordering parts, always provide the following information:

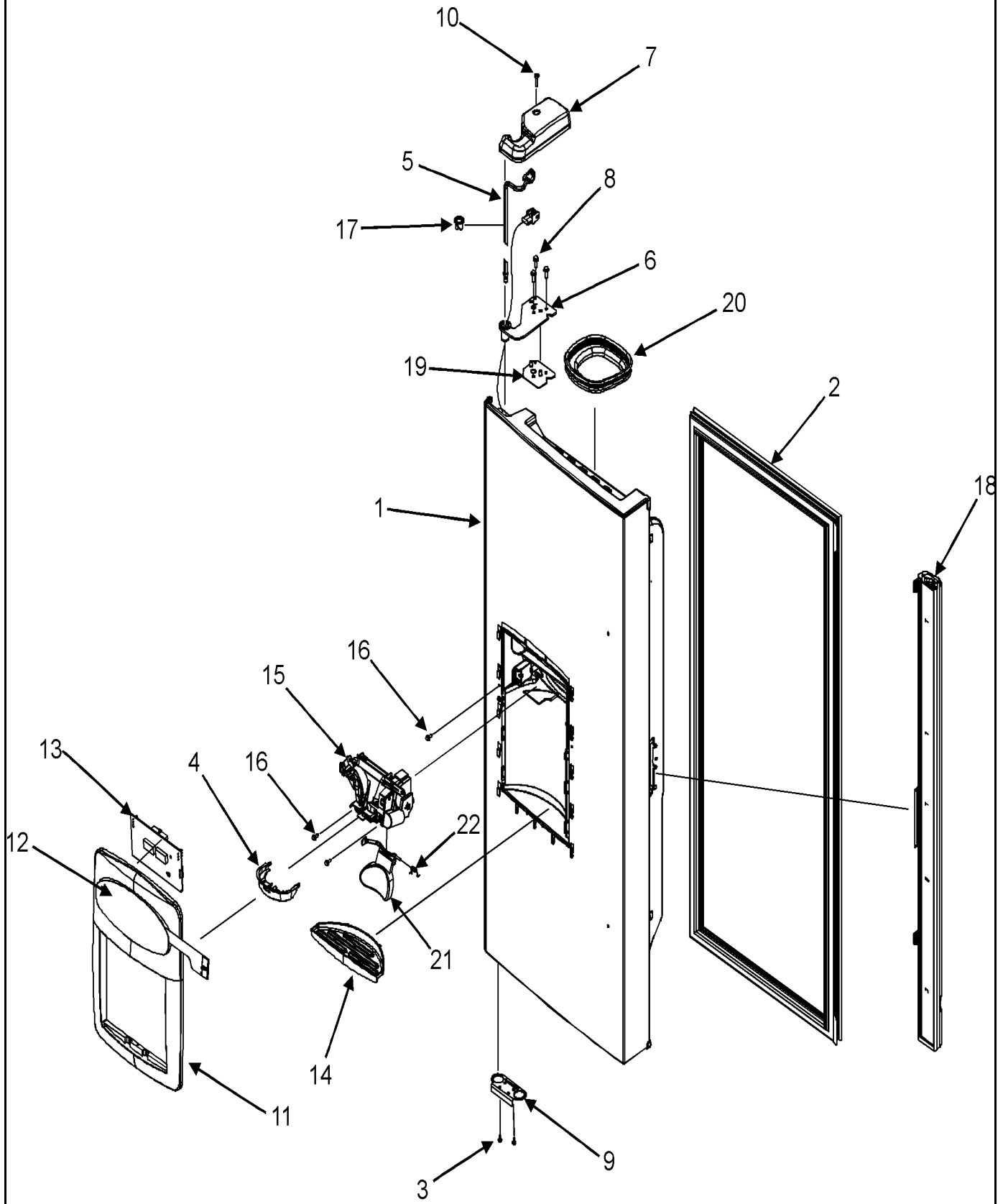
- Product Type
- Part Number
- Model Number
- Part Description

MAYTAG®

©2005 Maytag Services

Section: LEFT REFRIGERATOR DOOR (ICE & WATER)

Model: MFI2568AES



AA44-145

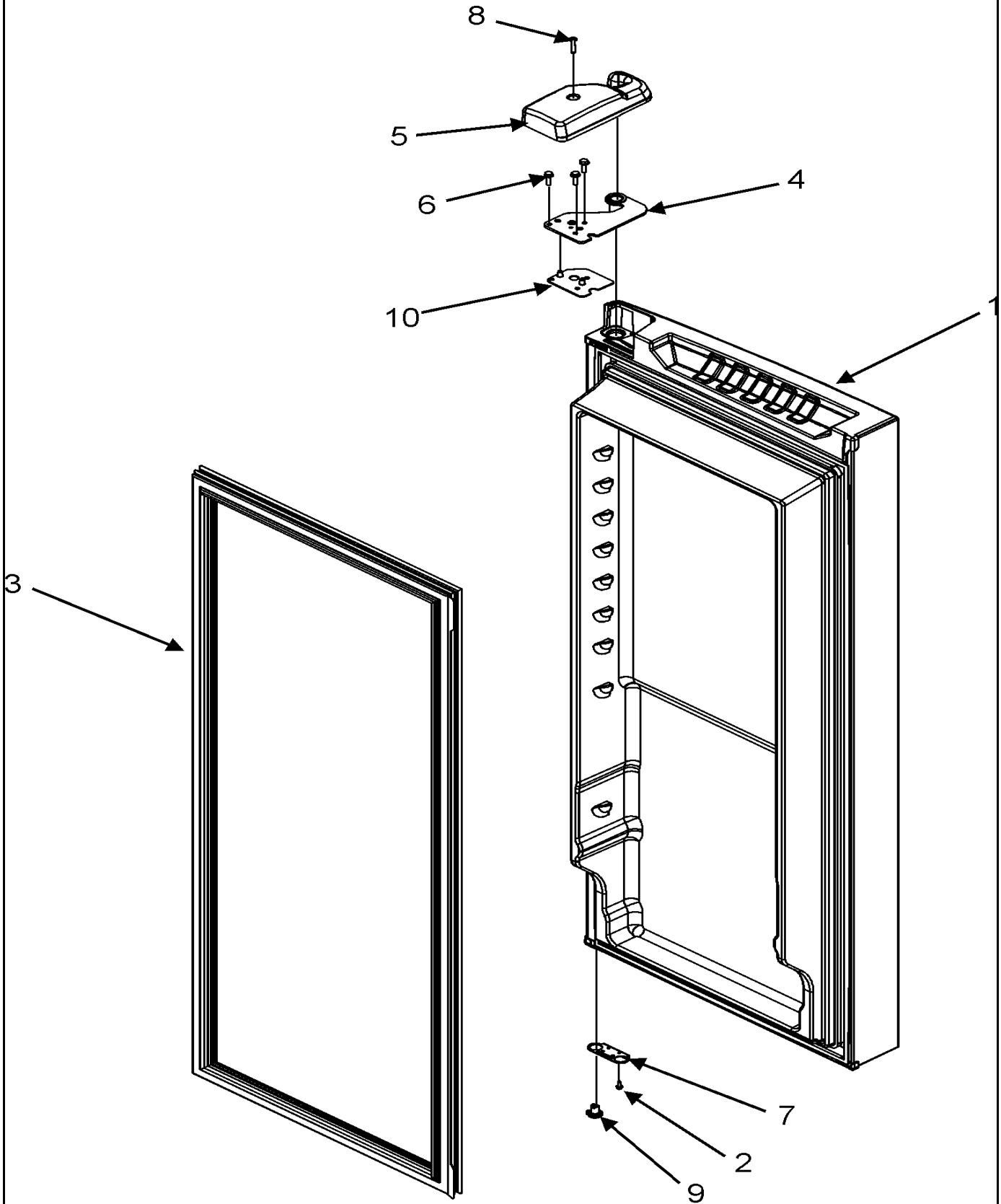
Section: LEFT REFRIGERATOR DOOR (ICE & WATER)

No.	Part No.	Description	Series	Qty
1	67006142	DOOR ASSY., LT I&W FOAM(STNLS)	10	1
2	67006301	GASKET, REF. DOOR (BLK)	10	1
3	67006287	SCREW, SM Note: SCREW, DOOR STOP	10	2
4	67006295	RING, TARGET	10	1
5	67006300	WATERLINE, DOOR	10	1
6	67005950	HINGE, TOP	10	1
7	67005951	COVER, TOP HINGE (LT-BLK)	10	1
8	67006303	SCREW Note: SCREW, TOP HINGE	10	3
9	67006276	STOP, DOOR (BLK)	10	1
10	M0202327	SCREW-MACH Note: SCREW, HINGE COVER	10	1
11	67006288	FACADE (BLK)	10	1
-	M0238642	SCREW, SM Note: SCREW, FACADE	10	2
12	67006291	KEYBOARD (BLK)	10	1
13	67006294	BOARD, L.V.	10	1
14	67006399	SUMP, DISPENSER (BLK)	10	1
15	Y67006296	CHUTE EXT/YOKE ASSY. (BLK) Note: (INCL. SWITCH)	10	1
16	M0238642	SCREW, SM Note: SCREW, BRACKET	10	3
17	67005954	CLIP, BUSHING WIRE	10	1
18	67006305	VERT MULLION ASSY. (BLK)	10	1
-	M0238642	SCREW, SM Note: SCREW, MULLION	10	1
19	67006308	SHIM, TOP HINGE	10	1
20	67006299	SEAL ASSY., ICE CHUTE	10	1

*Color Code (-)=Not Shown #=Series, Serial Prefix or Run No., N=Not Available

Section: RIGHT REFRIGERATOR DOOR

Model: MFI2568AES



AA44-146

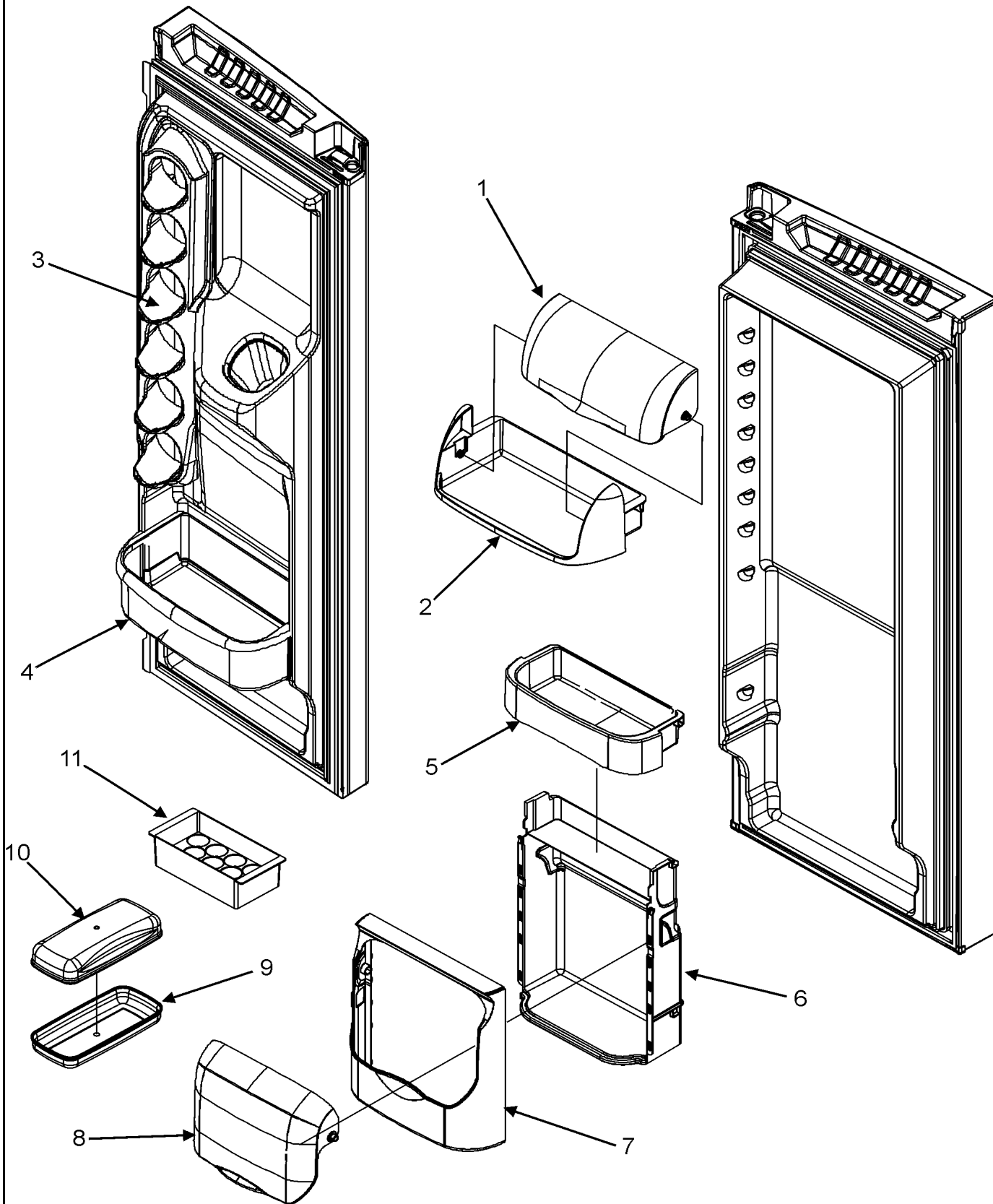
Section: RIGHT REFRIGERATOR DOOR

No.	Part No.	Description	Series	Qty
1	67006143	DOOR ASSY., RT REF FOAM(STNLS)	10	1
2	67006287	SCREW, SM Note: SCREW, DOOR STOP	10	2
3	67006301	GASKET, REF. DOOR (BLK)	10	1
4	67005955	HINGE, TOP	10	1
5	67005956	COVER, TOP HINGE (RT-BLK)	10	1
6	67006303	SCREW Note: SCREW, TOP HINGE	10	3
7	67006276	STOP, DOOR (BLK)	10	1
8	M0202327	SCREW-MACH Note: SCREW, HINGE COVER	10	1
9	67003639	CLOSURE, DOOR (BLK)	10	1
10	67006309	SHIM, TOP HINGE	10	1

*Color Code (-)=Not Shown #=Series, Serial Prefix or Run No., N=Not Available

Section: REF DOOR STORAGE

Model: MFI2568AES



AA44-149

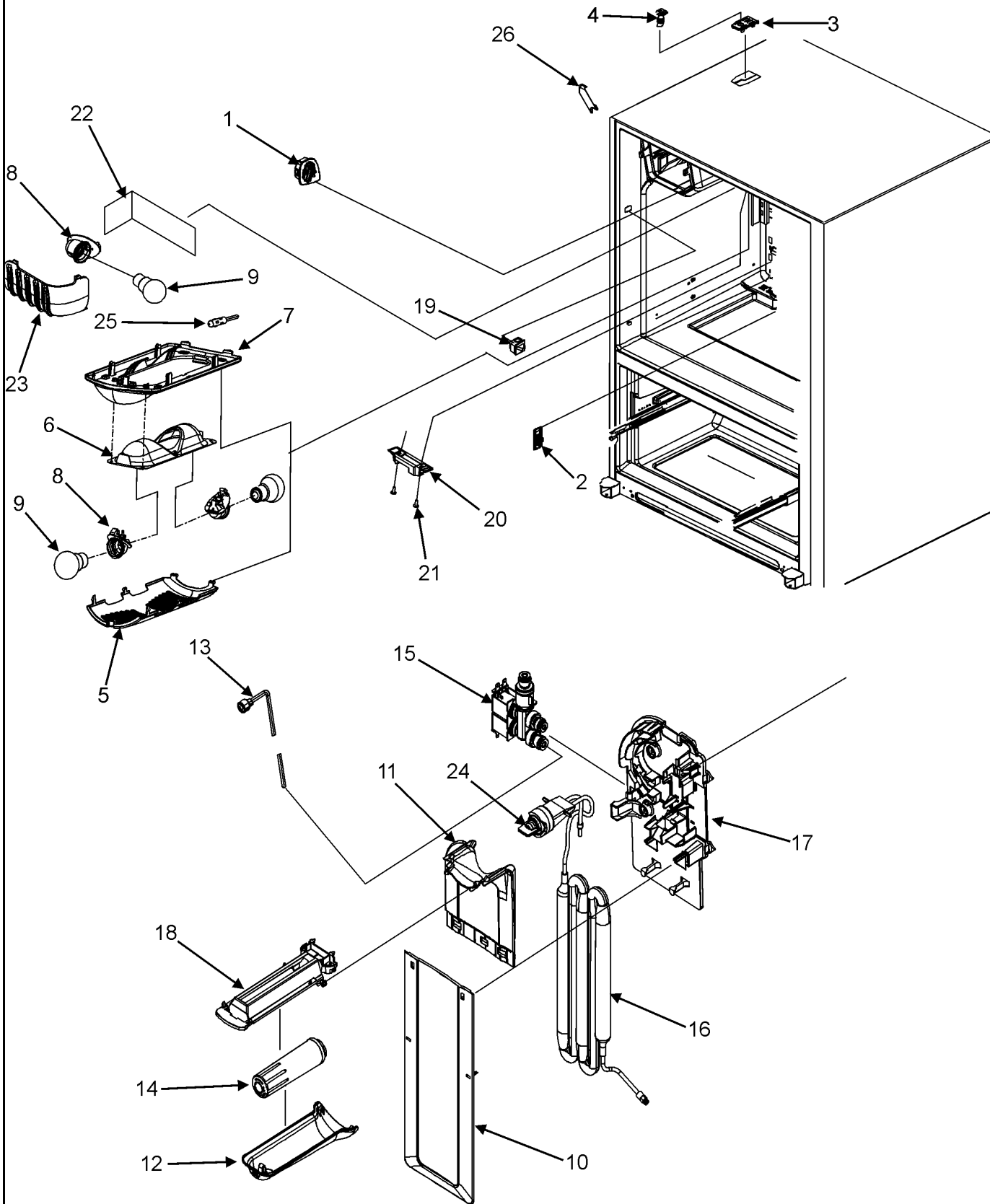
Section: REF DOOR STORAGE

No.	Part No.	Description	Series	Qty
1	67003637	DOOR, DAIRY	10	1
2	67001279	TRAY, DAIRY	10	1
3	67006311	DISPENSER, CAN	10	1
4	67006310	BUCKET, REF. DR GAL	10	1
5	67006313	BUCKET, CHILLER TOP	10	1
6	67006315	FRAME, CHILLER (REAR)	10	1
7	67006314	FRAME, CHILLER (FRT)	10	1
8	67006312	DOOR, CHILLER	10	1
9	67004404	TRAY, BUTTER	10	1
10	67004405	LID, BUTTER TRAY	10	1
11	67215-2	TRAY, EGG	10	1

*Color Code (-)=Not Shown #=Series, Serial Prefix or Run No., N=Not Available

Section: REF LIGHT/WATER TANK/FILTER/VALVE

Model: MFI2568AES



AA42-37

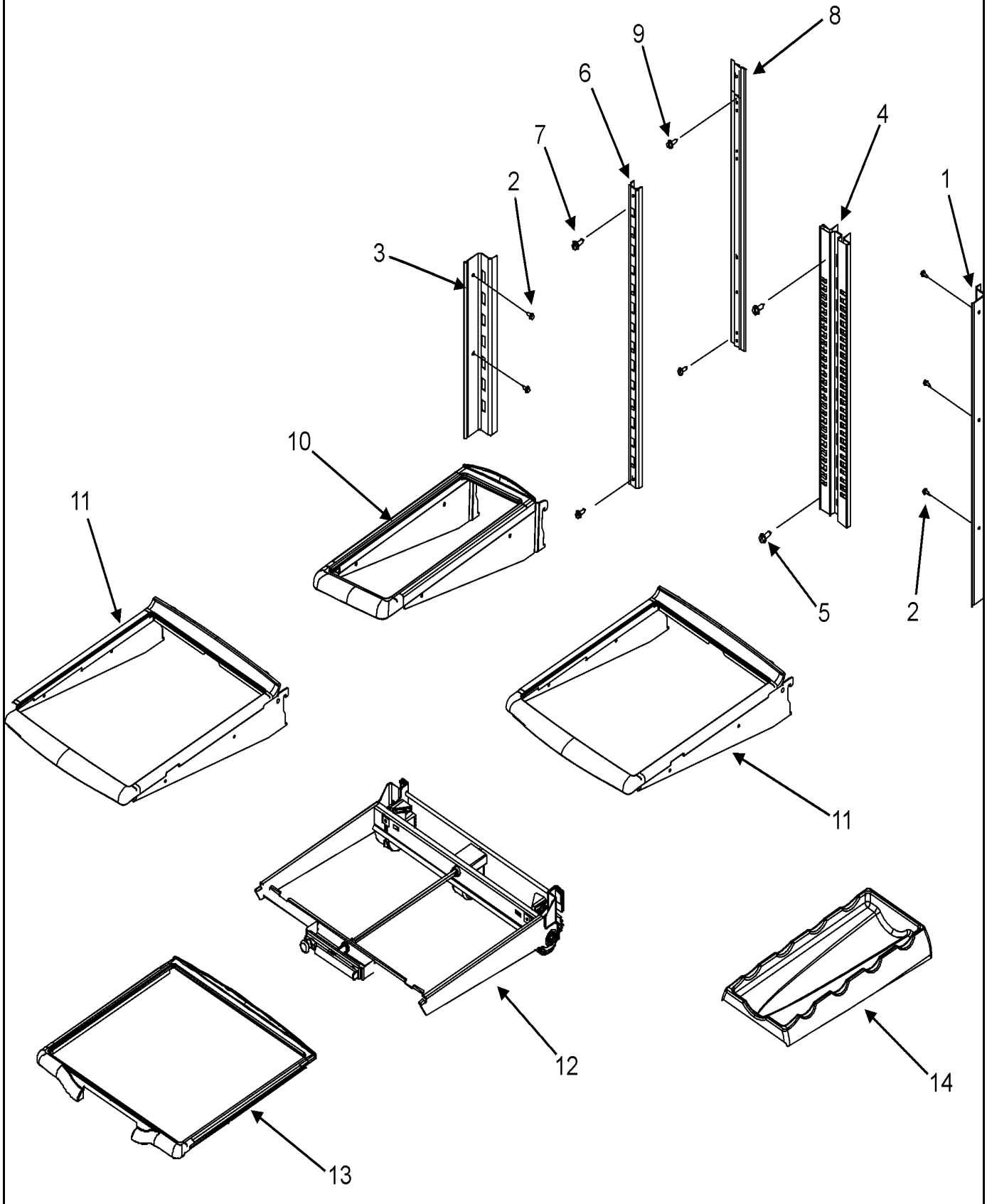
Section: REF LIGHT/WATER TANK/FILTER/VALVE

No.	Part No.	Description	Series	Qty
1	67006316	GRILLE, REF. AIR	10	1
2	67006319	COVER, CHILLER VENT	10	1
3	67006320	COVER, FILL TUBE (BLK)	10	1
4	67006317	TUBE W/WATERLINE, FILL-IM	10	1
5	67006318	COVER, REF. LIGHT	10	1
6	67003901	HOUSING, LIGHT	10	1
7	67006328	MODULE, REF. LIGHT	10	1
8	12570701	SOCKET, LIGHT	10	3
9	67003883	BULB, LIGHT *	10	3
10	67006329	COVER, WATER TANK (LWR)	10	1
11	67006330	COVER, WATER TANK (UPR)	10	1
12	67006331	LID, WATER FILTER	10	1
13	67006332	WATERLINE-CABINET (W/NUT)	10	1
14	67003591	FILTER, WATER SINGLE Note: FILTER, WATER	10	1
15	67006322	VALVE, DUAL WATER	10	1
16	67006323	WATER TANK/HEAD ASSY. Note: (INCL. WATER TANK, WATERLINE INLET FITTING, FILTER HEAD, & BYPASS PLUG)	10	1
17	67006324	BRACKET, WATER TANK & VALVE	10	1
18	67006325	BRACKET, FILTER BASE	10	1
19	12466103	SWITCH, LIGHT	10	2
20	67003405	BLOCK, PIVOT	10	1
21	M0214931	SCREW Note: SCREW, BLOCK	10	2
22	67006326	FOIL, LIGHT	10	1
23	67006327	COVER, LIGHT	10	1
24	12664501	PLUG, BYPASS	10	1
25	12002355	THERMISTOR KIT	10	1
26	67003485	COVER, CORNER (BLK)	10	2

*Color Code (-)=Not Shown #=Series, Serial Prefix or Run No., N=Not Available

Section: REFRIGERATOR SHELVES

Model: MFI2568AES



AA46-115

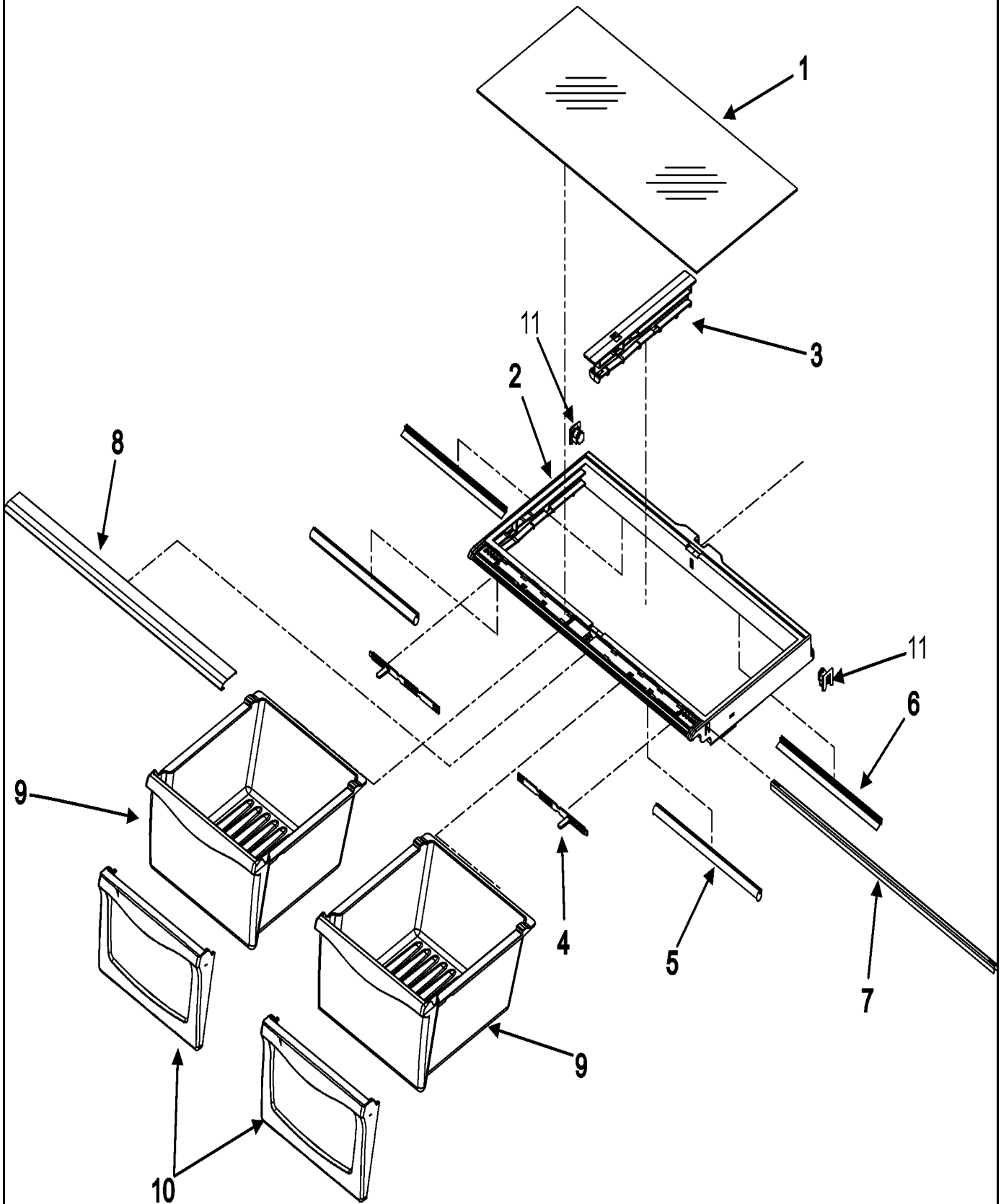
Section: REFRIGERATOR SHELVES

No.	Part No.	Description	Series	Qty
1	67006355	LADDER, SIDE ELEVATOR	10	1
2	M0238642	SCREW, SM Note: SCREW, SIDE LADDER	10	5
3	67006354	LADDER, SIDE (LT)	10	1
4	67006356	LADDER, CENTER ELEVATOR	10	1
5	M0211021	SCREW 1" Note: SCREW, CTR LADDER	10	2
6	67006358	LADDER, CENTER	10	1
7	67006360	SCREW Note: SCREW, CTR LADDER	10	2
8	67006359	ADAPTER, CTR LADDER	10	1
9	M0238636	SCREW-SM Note: SCREW, ADAPTER	10	2
10	67006357	SHELF, MINI STATIONARY	10	1
11	67006351	SHELF, GLIDE	10	2
12	67006353	FRAME ASSY., ELEVATOR SHELF	10	1
13	67006352	SHELF, ELEVATOR	10	1
14	67001656	TRIVET, BOTTLE	10	1

*Color Code (-)=Not Shown #=Series, Serial Prefix or Run No., N=Not Available

Section: CRISPER ASSEMBLY

Model: MFI2568AES



AA46-79

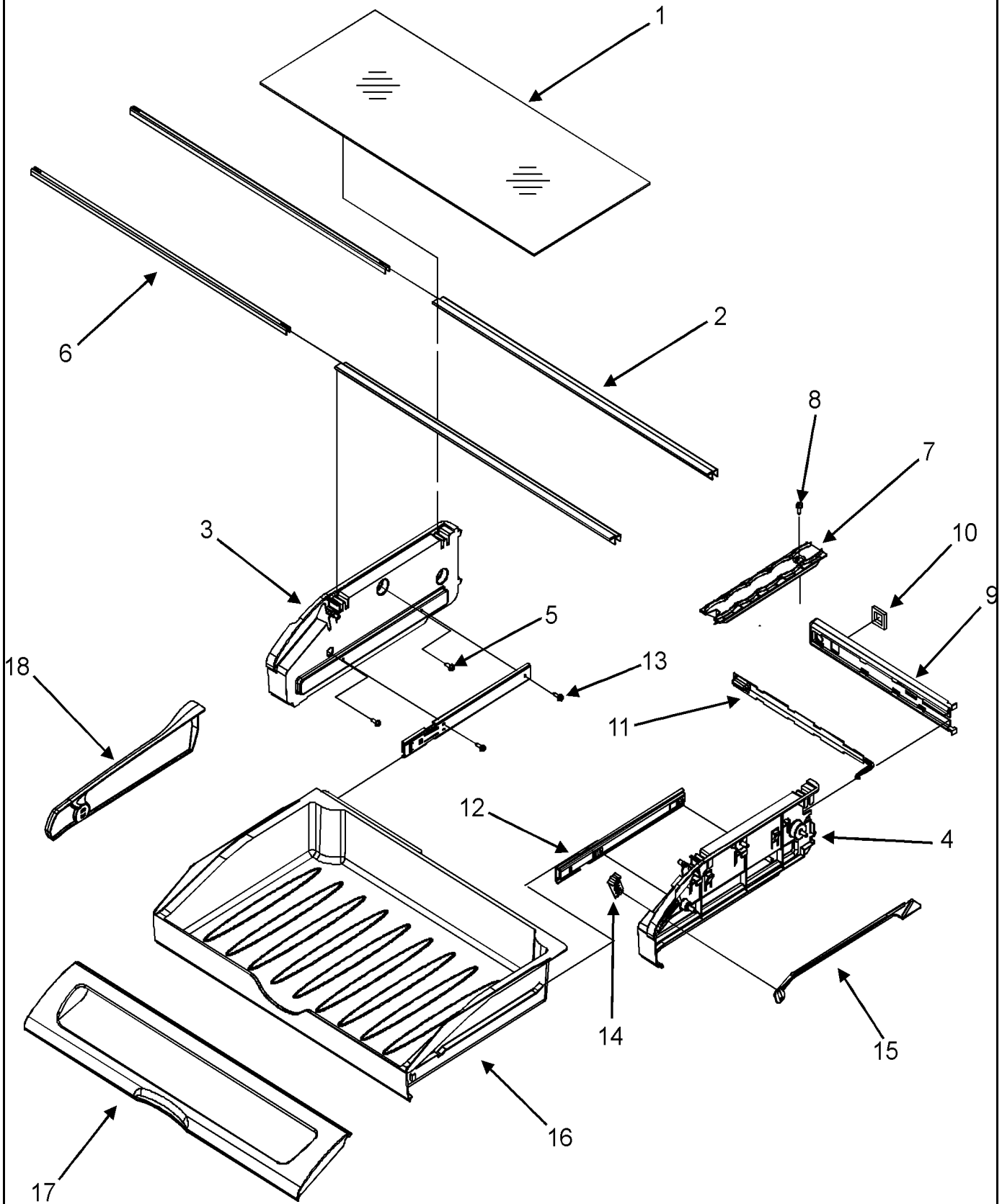
Section: CRISPER ASSEMBLY

No.	Part No.	Description	Series	Qty
1	67003852	GLASS, CRISPER	10	1
2	67003854	FRAME, CRISPER	10	1
3	67004514	RAIL, CENTER CRISPER	10	1
4	67005864	SLIDE, HUMIDITY CONTROL	10	2
5	67003417	SEAL, FRONT CRISPER	10	2
6	67002513	SEAL, REAR CRISPER	10	2
7	67002748	BRACE, CRISPER E-CT	10	1
8	67004510	EXTR, FRONT CRISPER	10	1
9	67004515	PAN, CRISPER	10	2
10	67005923	FRONT, CRISPER PAN	10	2
11	12603701	SUPPORT, CRISPER FRAME	10	2

*Color Code (-)=Not Shown #=Series, Serial Prefix or Run No., N=Not Available

Section: PANTRY ASSEMBLY

Model: MFI2568AES



AA46-80

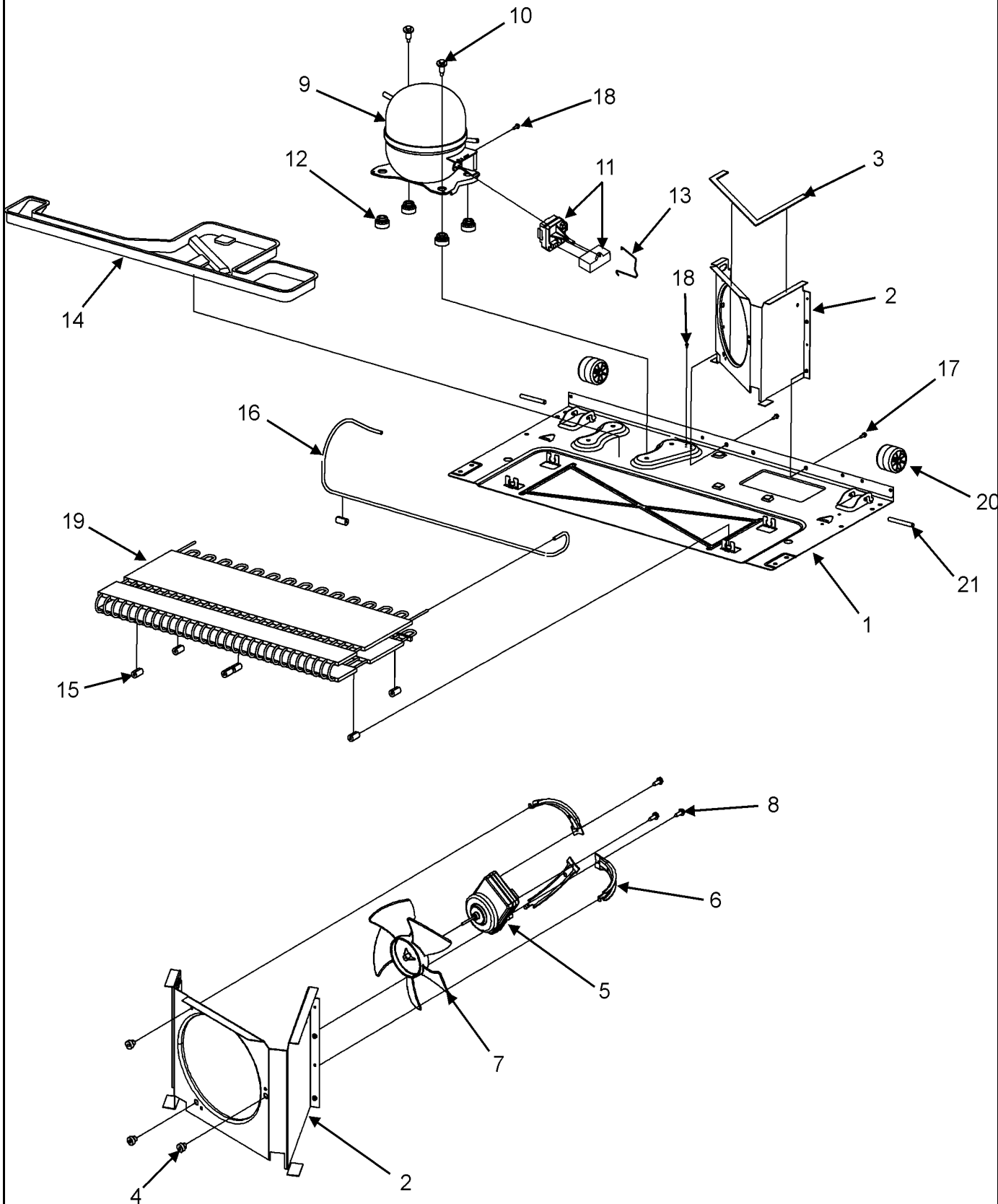
Section: PANTRY ASSEMBLY

No.	Part No.	Description	Series	Qty
1	67002761	GLASS, PANTRY	10	1
2	67002331	EXTR, GLASS SUPPORT	10	2
3	67005863	END CAP, PANTRY (LT)	10	1
4	67005858	END CAP, PANTRY (RT)	10	1
5	M0238636	SCREW-SM Note: SCREW, END CAP	10	6
6	67002330	BRACE, PANTRY	10	2
7	67001719	TRACK, DELI DRAWER	10	1
8	M0238642	SCREW, SM Note: SCREW, TRACK	10	1
9	67005625	HOUSING, CONTROL	10	1
10	67002329	GASKET, PANTRY	10	1
11	67003793	SLIDE, TEMP CONTROL	10	1
12	67006219	GLIDE, PANTRY DRAWER *	10	2
13	67006287	SCREW, SM Note: SCREW, GLIDE	10	4
14	67003791	KNOB, TEMP CONTROL	10	1
15	67003795	BAR, TEMP CONTROL	10	1
16	67003531	DRAWER, PANTRY	10	1
17	67005903	LID, PANTRY	10	1
18	67002759	DIVIDER, PANTRY	10	1

*Color Code (-)=Not Shown #=Series, Serial Prefix or Run No., N=Not Available

Section: COMPRESSOR

Model: MF12568AES



AA41-53

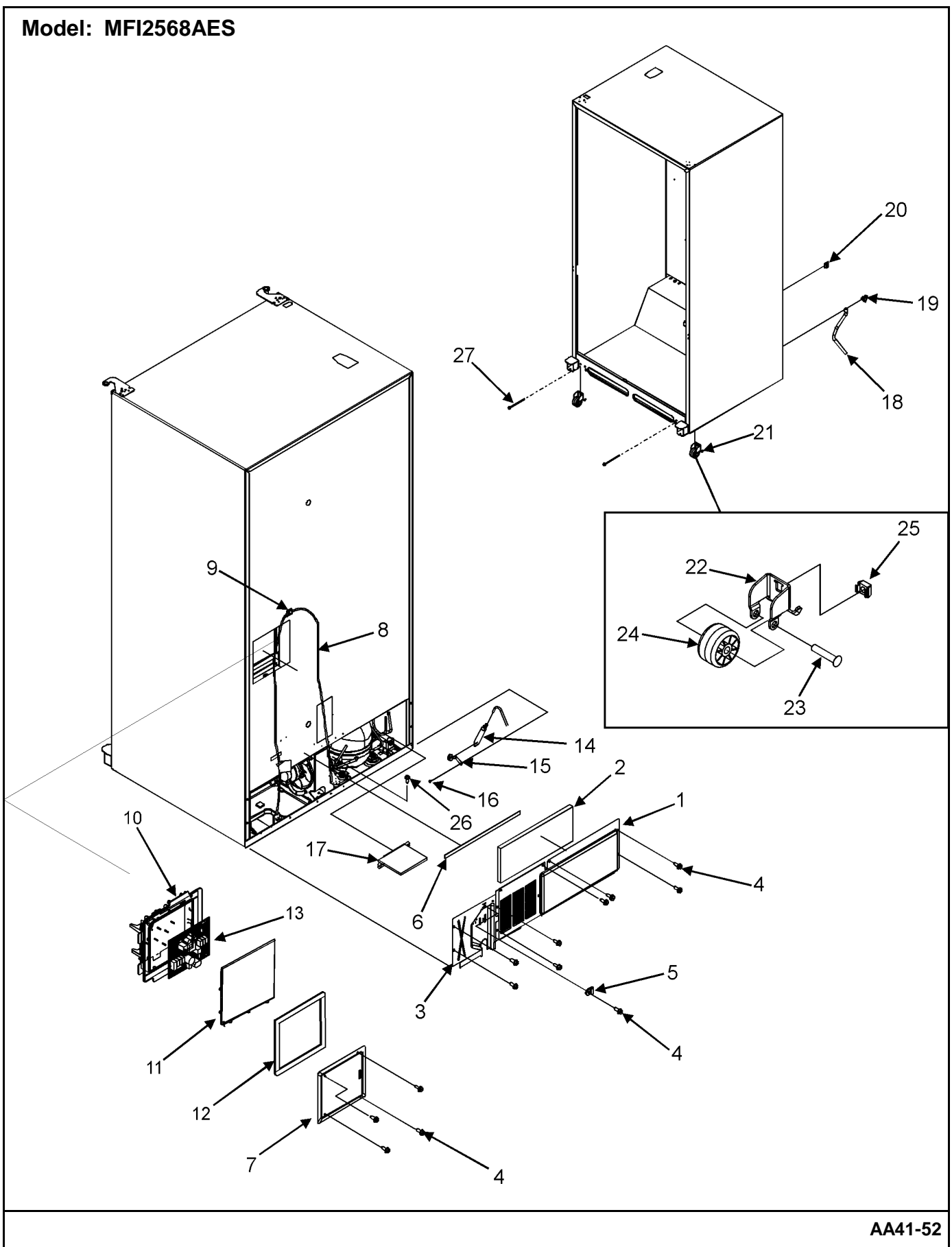
Section: COMPRESSOR

No.	Part No.	Description	Series	Qty
1	67005889	PAN, BASE	10	1
2	67001090	SHROUD, CONDENSER FAN	10	1
3	61003210	SEAL Note: SEAL, COND. SHROUD	10	1
4	61004743	GROMMET, BRACKET	10	3
5	67004432	MOTOR, CONDENSER FAN	10	1
6	67004953	BRACKET, COND MOTOR	10	3
7	67004952	BLADE, COND FAN	10	1
8	67004954	SCREW Note: SCREW, BRACKET	10	3
9	12002634	KIT, COMPRESSOR Note: COMPRESSOR KIT	10	1
10	67006432	SCREW, SHOULDER Note: SCREW, COMPRESSOR	10	3
11	67005560	OVERLOAD/RELAY W/CAPACITOR	10	1
12	67003493	GROMMET, COMPRESSOR	10	4
13	12576801	STRAP, BALE	10	1
14	67004464	PAN, DRAIN	10	1
15	67005680	GROMMET, CONDENSER	10	7
16	67004700	TUBE, DISCHARGE	10	1
17	67006425	SCREW, SM Note: SCREW	10	2
18	M0231604	SCREW, TF Note: SCREW, GROUND	10	2
19	67004682	CONDENSER *	10	1
20	67005149	ROLLER	10	2
21	67006434	AXLE, ROLLER	10	2
-	67005435	HARNESS, MC	10	1

*Color Code (-)=Not Shown #=Series, Serial Prefix or Run No., N=Not Available

Section: CABINET BACK/FRONT ROLLERS

Model: MFI2568AES



AA41-52

Section: CABINET BACK/FRONT ROLLERS

No.	Part No.	Description	Series	Qty
1	12575101ED	BACK, MACH COMP	10	1
2	67003796	FIBER, ACOUSTIC	10	1
3	67005117	COVER, WATER VALVE	10	1
4	67006425	SCREW, SM Note: SCREW, COVER	10	13
5	M0108105	CLAMP, TUBE	10	1
6	B5759649	GASKET, MC BACK	10	1
7	67006427	COVER, CONTROL BOX	10	1
8	12583301	CORD, POWER	10	1
9	M0104102	CLIP, CORD	10	1
10	67006390	BOX, HV CONTROL	10	1
11	67006428	LID, HV CONTROL	10	1
12	67006429	GASKET, HV CONTROL	10	2
13	67006389	BOARD, HV CONTROL, ICE20	10	1
14	B2150504	DRIER	10	1
15	10547002	CLIP, DRIER	10	1
16	M0220617	SCREW Note: SCREW, CLIP	10	1
17	67006431	PAD, ACOUSTIC	10	1
18	67001066	TUBE, DRAIN	10	1
19	67001067	CLIP, DRAIN TUBE	10	1
20	M0104106	CLIP	10	1
21	67002227	ROLLER BRACKET ASSY	10	2
22	12456801	BRACKET, ROLLER	10	2
23	M1205302	RIVET	10	2
24	67005127	ROLLER	10	2
25	M0286708	NUT, SPEED	10	2
26	M0231604	SCREW, TF	10	1
27	12606102	BOLT, ROLLER ADJ	10	2

*Color Code (-)=Not Shown #=Series, Serial Prefix or Run No., N=Not Available

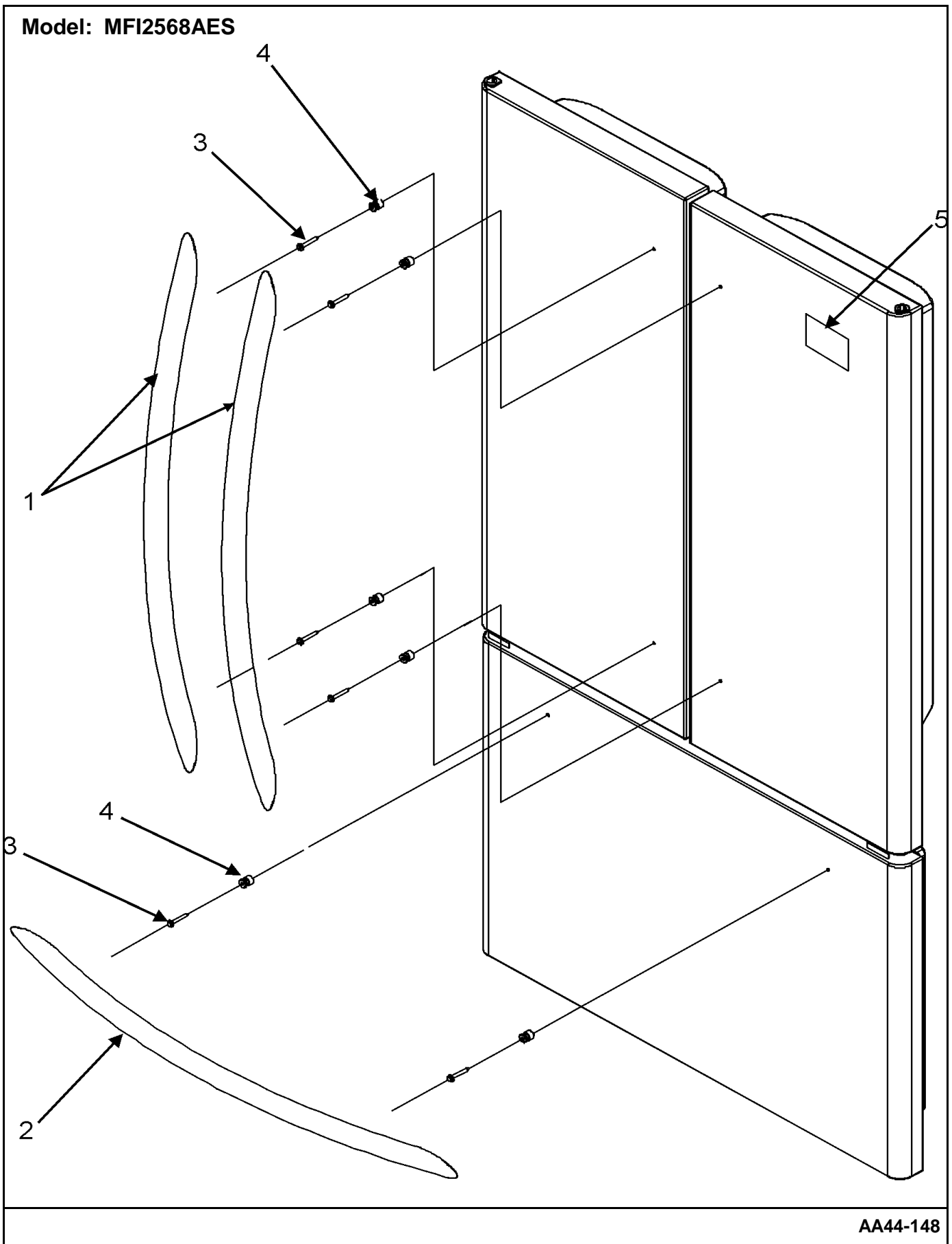
Section: SUPPLEMENTAL INFORMATION

No.	Part No.	Description	Series	Qty
-	16026830	TECH SHT, BTM MT	10	1
-	12828140	MANUAL, USE & CARE	10	1
-	67006444	TAG, ENERGY	10	1
-	16026312	SVC MAN, BTM MT	10	1

*Color Code (-)=Not Shown #=Series, Serial Prefix or Run No., N=Not Available

Section: HANDLES (MFI2568AES)

Model: MFI2568AES



AA44-148

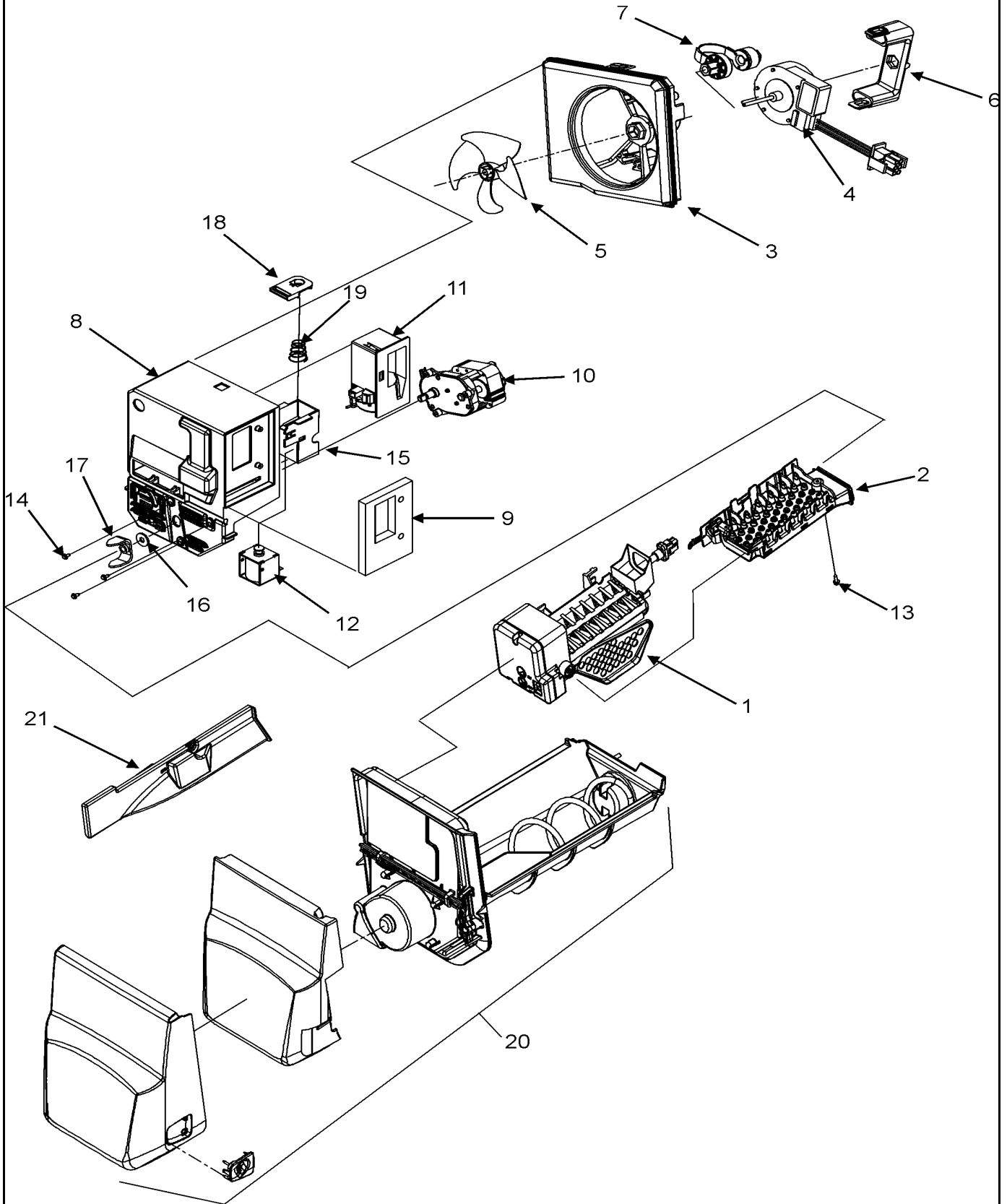
Section: HANDLES (MFI2568AES)

No.	Part No.	Description	Series	Qty
1	67006391	HANDLE ASSY., DOOR (STNLS) Note: HANDLE ASSY., REF. (STNLS)	10	2
2	67006393	HANDLE ASSY., DOOR (STNLS) Note: HANDLE ASSY., FRZ. (STNLS)	10	1
3	67002935	SCREW, MOUNT	10	6
4	67006113	MOUNT, HANDLE	10	6
5	67006439	NAMEPLATE	10	1

*Color Code (-)=Not Shown #=Series, Serial Prefix or Run No., N=Not Available

Section: ICE MAKER/ICE BIN/AUGER MOTOR

Model: MFI2568AES



AA45-11

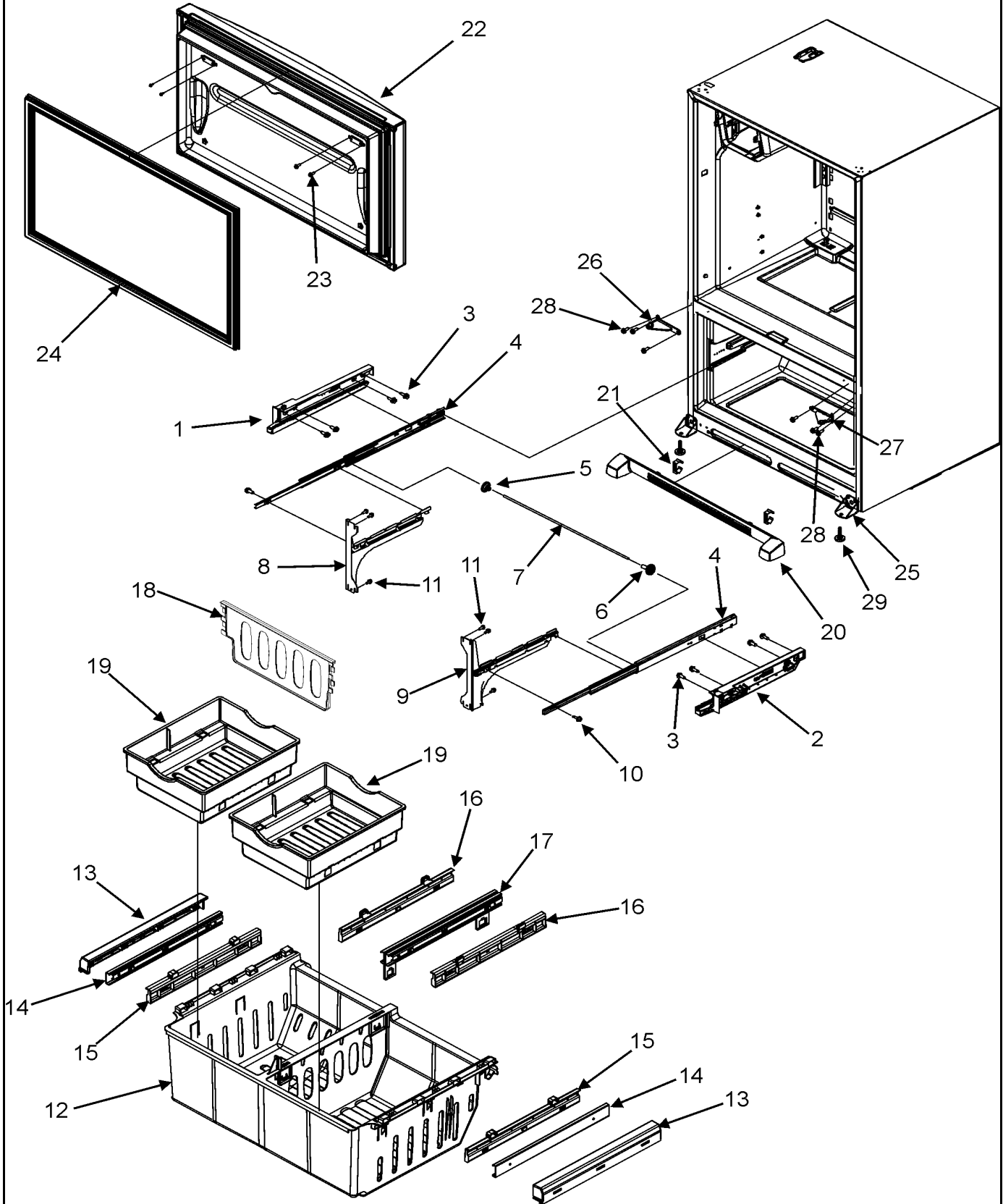
Section: ICE MAKER/ICE BIN/AUGER MOTOR

No.	Part No.	Description	Series	Qty
1	67006333	ICE MAKER ASSY. Note: (INCL. ICEMAKER, FILL CUP, WIRE HARNESS, SENSOR ARM)	10	1
2	67006334	IMPINGER ASSY.	10	1
3	67006335	SHROUD, ICE BOX FAN	10	1
4	67006336	MOTOR, FAN	10	1
5	67006337	BLADE, FAN	10	1
6	67006338	CLIP, FAN MOTOR	10	1
7	67006339	GROMMET, FAN MOTOR	10	1
8	67006340	DIVIDER, ICE BOX	10	1
9	67006341	GASKET, DAMPER	10	1
10	67006342	MOTOR, AUGER	10	1
11	67006343	DAMPER, CONTROL	10	1
12	67006344	SOLENOID	10	1
13	M0238616	SCREW, SM Note: SCREW, IMPINGER ASSY.	10	1
14	M0238616	SCREW, SM Note: SCREW, AUGER MOTOR	10	3
15	67006345	BRACKET, SOLENOID	10	1
16	67006346	WASHER	10	1
17	63052-1	YOKE, ICE DISPENSER	10	1
18	67006347	YOKE, SOLENOID	10	1
19	67006348	SPRING, SOLENOID	10	1
20	67006349	ICE BIN ASSY. Note: (INCL. AUGER)	10	1
-	M0238642	SCREW, SM Note: SCREW, COVER	10	1
21	67006350	COVER, ICE BOX WIRE	10	1
-	67006438	HARNES, I/M WITH THERMISTOR	10	1

*Color Code (-)=Not Shown #=Series, Serial Prefix or Run No., N=Not Available

Section: FRZ DOOR/DRAWER/TOE GRILLE/CTR HINGE

Model: MFI2568AES



AA49-48

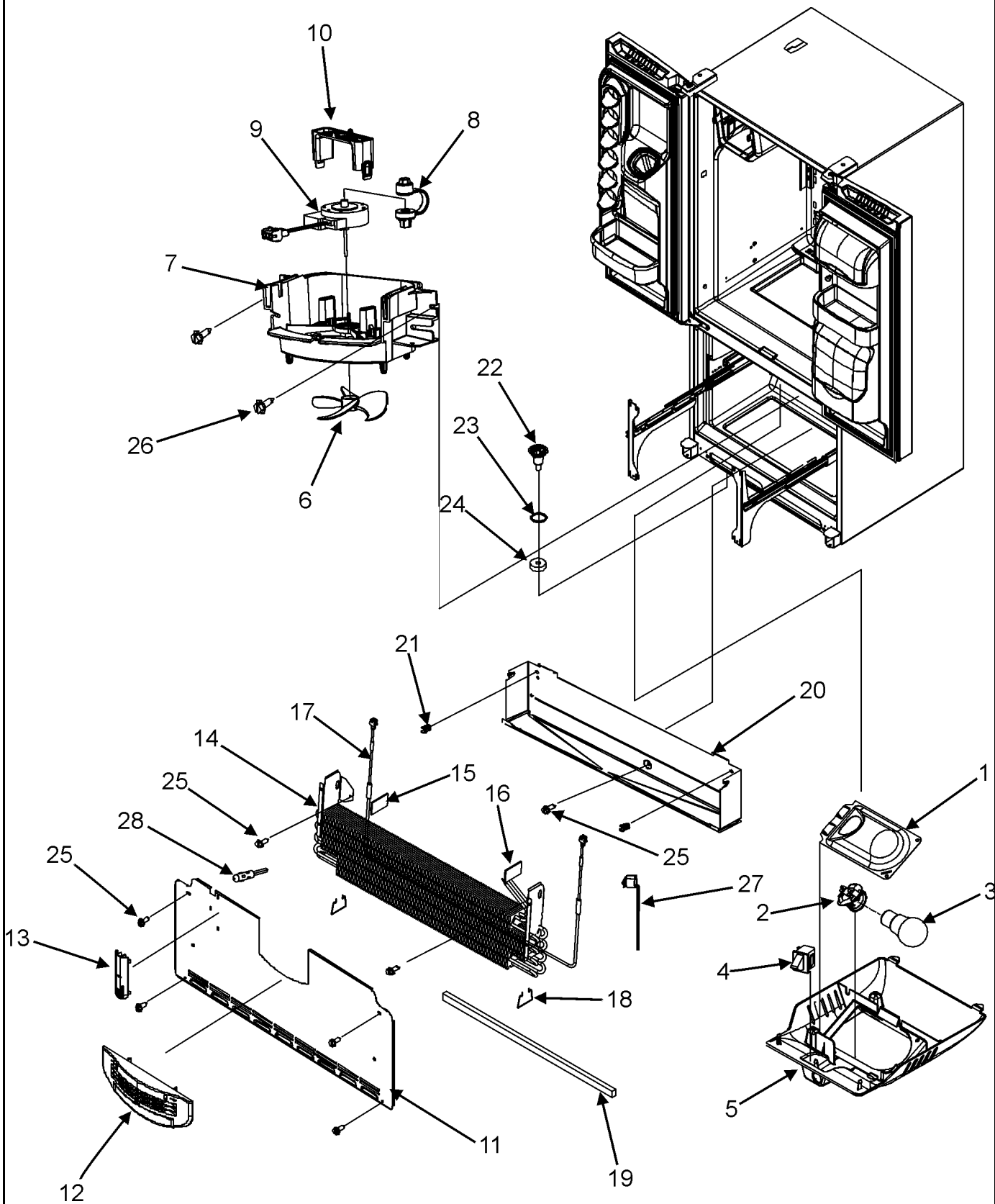
Section: FRZ DOOR/DRAWER/TOE GRILLE/CTR HING

No.	Part No.	Description	Series	Qty
1	67006363	ADAPTER (LT)	10	1
2	67006364	ADAPTER (RT)	10	1
3	67004892	SCREW, SM Note: SCREW, ADAPTER	10	8
4	67006365	SLIDE, DRAWER	10	2
5	67004430	GEAR (RT)	10	1
6	67004429	GEAR (LT)	10	1
7	67004017	SHAFT, RACK	10	1
8	67004012	BRACKET, DRAWER SLIDE (LT)	10	1
9	67004013	BRACKET, DRAWER SLIDE (RT)	10	1
10	M0216529	SCREW Note: SCREW, SLIDE TO BRACKET	10	2
11	M0238636	SCREW-SM Note: SCREW, BRACKET	10	6
12	67006366	BIN, LOWER	10	1
13	67006367	RETAINER, GLIDE (LT)	10	1
13	67006368	RETAINER, GLIDE (RT)	10	1
14	67006369	GLIDE, UPPER	10	2
15	67006370	ADAPTER, BIN (OUTER)	10	2
16	67006371	ADAPTER, BIN (INNER)	10	2
17	67006372	BRACKET/GLIDE ASSY.	10	1
18	67006373	DIVIDER, UPR BIN	10	1
19	67006374	BIN, UPPER	10	2
20	67006375	GRILLE, TOE (BLK)	10	1
21	12627302	CLIP, TOE GRILLE	10	2
22	67006144	DOOR ASSY., FRZ. FOAM (STNLS)	10	1
23	M0210816	SCREW, SM	10	4
24	67006361	GASKET, FRZ. DOOR (BLK)	10	1
-	M0241508	SCREW, SM Note: SCREW, BRACKET	10	8
25	67006112	BRACKET, FOOT CABINET	10	2
26	67006442	HINGE, CENTER (LT-BLK)	10	1
27	67006443	HINGE, CENTER (RT-BLK)	10	1
28	67006380	SCREW Note: SCREW, CENTER HINGE	10	6
29	67003868	BRAKE, FOOT	10	2

*Color Code (-)=Not Shown #=Series, Serial Prefix or Run No., N=Not Available

Section: FRZ LIGHT/EVAPORATOR/EVAP FAN ASSY.

Model: MFI2568AES



AA43-83

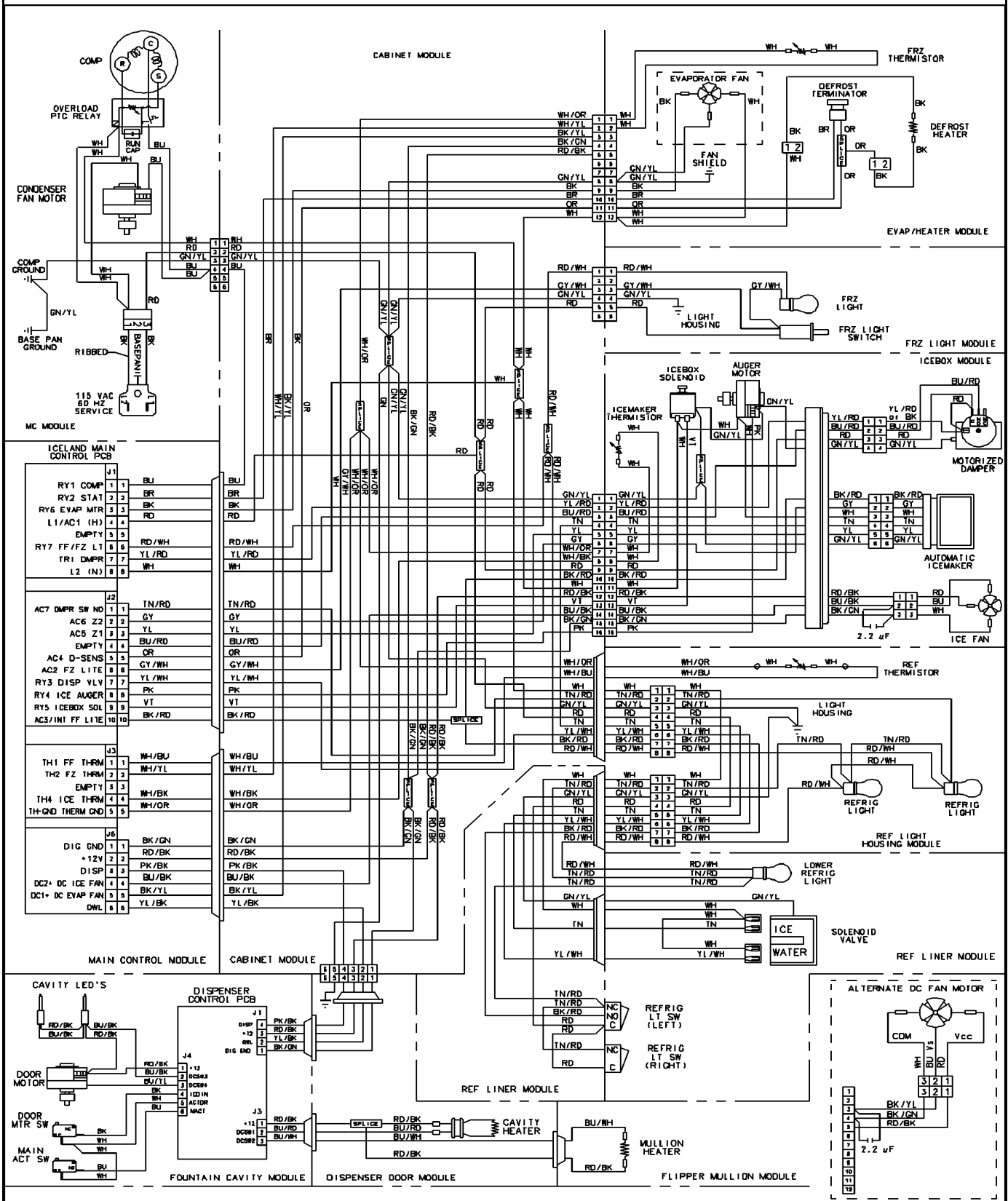
Section: FRZ LIGHT/EVAPORATOR/EVAP FAN ASSY.

No.	Part No.	Description	Series	Qty
1	67001035	HOUSING, LIGHT	10	1
2	12570701	SOCKET, LIGHT	10	1
3	67003883	BULB, LIGHT *	10	1
4	67006422	SWITCH, ROCKER	10	1
5	67006423	MODULE, FREEZER LIGHT	10	1
6	67006337	BLADE, FAN	10	1
7	67006424	SHROUD, EVAPORATOR FAN	10	1
8	67006339	GROMMET, FAN MOTOR	10	1
9	67006336	MOTOR, FAN	10	1
10	67006338	CLIP, FAN MOTOR	10	1
11	67006383	COVER, EVAP	10	1
12	67006382	GRILLE, FRZ. AIR	10	1
13	67003924	COVER, FZ THERMISTOR	10	1
14	12002730	EVAPORATOR KIT	10	1
15	67006384	DAM, LEFT RETURN	10	1
16	67006385	DAM, RIGHT RETURN	10	1
17	67006386	HEATER, DEFROST	10	1
18	10428101	CLIP, EVAP HEATER	10	2
19	67003731	GASKET, FOAM	10	2
20	67002490	TRAY, DRIP E-CT	10	1
21	10623002	CLIP, EVAPORATOR	10	2
22	D7753903	FUNNEL, DRAIN	10	1
23	M0500703	SEAL, O RING	10	1
24	B8381501	GASKET, DRAIN TUBE	10	1
25	67006425	SCREW, SM	10	7
26	67006287	SCREW, SM Note: SCREW, FAN SHROUD	10	2
27	67006387	THERMOSTAT, DEFROST	10	1
28	12002356	THERMISTOR KIT	10	1
-	67006388	HARNESS, EVAP/HEATER	10	1

*Color Code (-)=Not Shown #=Series, Serial Prefix or Run No., N=Not Available

Section: WIRING INFORMATION

Model: MFI2568AES



15003869

