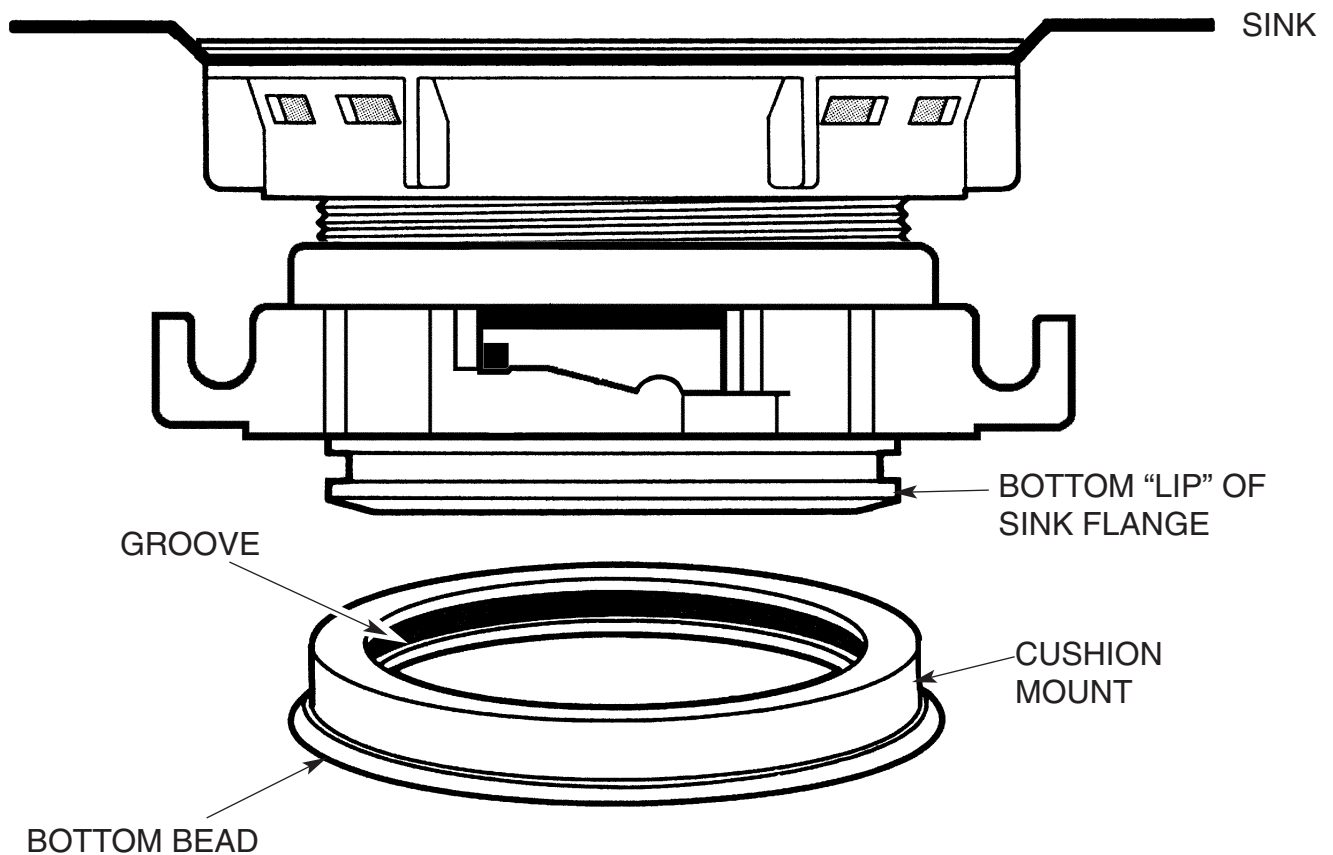


• **IMPORTANT NOTICE** •

Concerning Your New Food Waste Disposer

Thank you for purchasing this new Food Waste Disposer. We hope that these additional instructions and illustration will help your installation. Please use in conjunction with the owner's guide.



When the Cushion Mount is installed correctly, the lip of the sink flange fits into the groove on the inside of the Cushion Mount (see illustration). The bottom bead of the Cushion Mount acts as a gasket between the bottom of the sink flange and the top of the disposer.

NOTE: Try practicing this installation before you get under the sink to get the "feel" of how the parts fit together.

IMPORTANT!

• **PLEASE READ** •