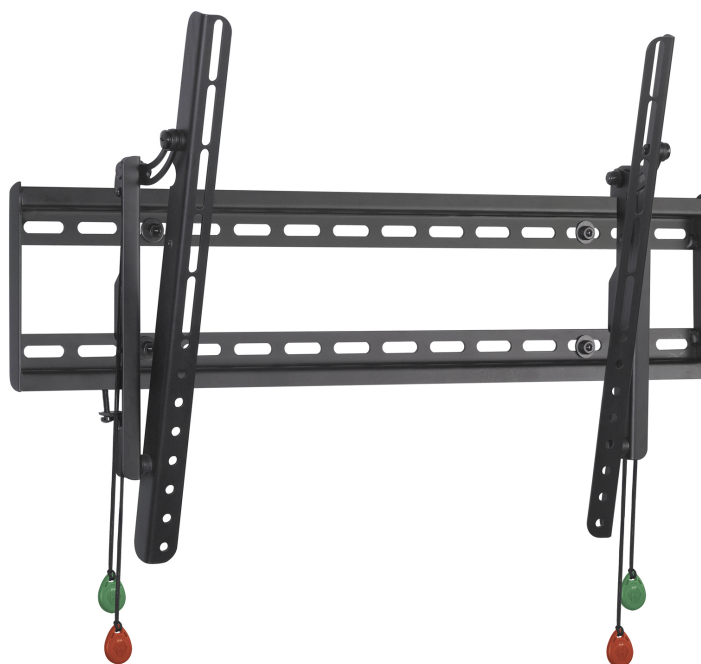


Installation Manual Model # 38652N

SPACE SAVER

M o u n t i n g S y s t e m s



Fixed and Tilt Wall Mount for Flat Panel TVs

Fits Medium/Large Flat Screen TVs (26" to 65")
Supports Up to 180 lbs (81 kgs)



Systems Trading Corporation
450 7th Avenue Suite 2809, New York, NY 10123
Phone: (212) 239-8230 Toll Free: (800) 293-2923 Email: customerservice@stcny.com



BEFORE YOU BEGIN, MAKE SURE YOU CAREFULLY READ AND UNDERSTAND THE INSTRUCTIONS IN THIS MANUAL. Our goal is to make this installation easy for you. Please follow the instructions in the order presented in this manual and be sure to observe all warnings and cautions.



IMPORTANT WARNINGS AND CAUTIONS!








-  **WARNING:** A **WARNING** alerts you to the possibility of serious injury or death if you do not follow the instructions.
-  **CAUTION:** A **CAUTION** alerts you to the possibility of damage to or destruction of the equipment if you do not follow the corresponding instructions.
-  **WARNING:** Failure to provide adequate structural strength for this component can result in physical injury and/or damage to equipment. It is the installer's responsibility to make sure the structure to which this component is attached can support four times the combined weight of all equipment. Reinforce the structure as required before installing the component.
-  **WARNING:** Improper installation can result in serious physical injury. This mount has been tested to support 180 lbs (81kgs.) Do not exceed that weight.
-  **WARNING:** Safety measures must be observed at all times during the installation of this product. Use proper safety gear and tools during the installation process to prevent physical injury.
-  **CAUTION:** Do not install on a structure that is prone to vibration, movement or chance of impact. Doing so could result in damage to the flat panel display and/or mounting surface.
-  **CAUTION:** Do not install near a heater, fireplace, direct sunlight or any other source of direct heat. Doing so could result in damage to the flat panel display and could increase the risk of fire.

TABLE OF CONTENTS

warnings and cautions	1
unpack	2
required tools	2
select and test components	3
attach brackets to display	4
wall placement	5
attach to wood studs	6
attach to masonry walls	7
secure wall plate to wall	8
mount TV to wall plate	9
secure	10
adjust	10
warranty	11



unpack

Make certain the following installation hardware and components are included. If any of the parts are missing or damaged please contact STC Customer Care at (800) 293-2923. Parts are not shown actual size.

4x



M4 x 12mm screw, lock washer & washer



M4 x 16mm screw, lock washer & washer



M4 x 30mm screw, lock washer & washer



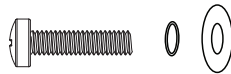
M5 x 12mm screw, lock washer & washer



M5 x 30mm screw, lock washer & washer



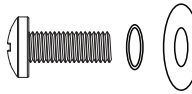
M6 x 12mm screw, lock washer & washer



M6 x 20mm screw, lock washer & washer



M6 x 35mm screw, lock washer & washer



M8 x 16mm screw, lock washer & washer



M8 x 25mm screw, lock washer & washer



M8 x 40mm screw, lock washer & washer



M4 small spacer



M6 small spacer



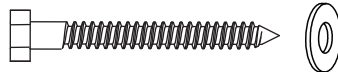
M8 small spacer



M8 large spacer

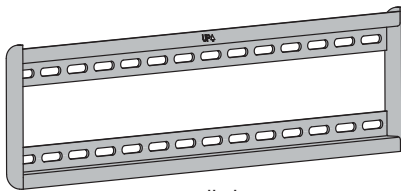


nylon anchor

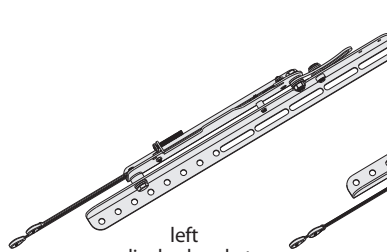


lag bolt & washer

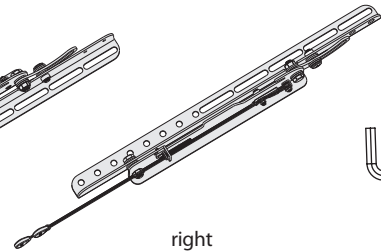
1x



wall plate



left display bracket



right display bracket



allen key



required tools



power drill

+



5/32" (4mm) wood drill bit

or

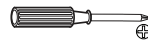
1/4" (6mm) + 3/8" (10mm) masonry drill bits



spirit level



stud finder



phillips screw driver



pencil




tape measure



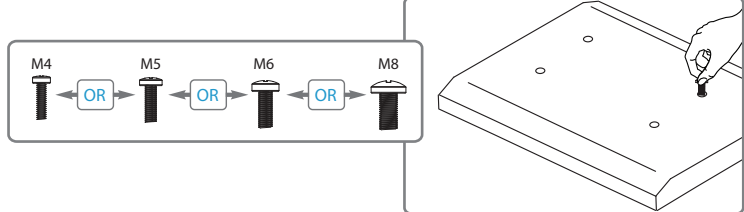
safety glasses

1 identify

 Unplug your TV before you begin. Invert the TV and place it on a soft, padded, flat surface.

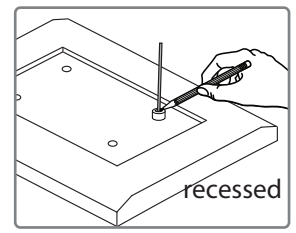
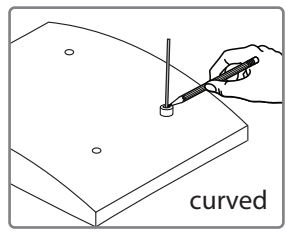
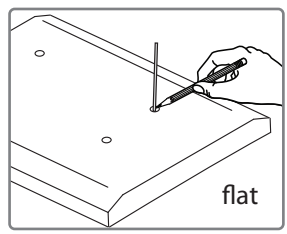
To ensure proper mounting of the brackets to your display, we have provided several sizes of screws and spacers that can be used in various combinations. Combinations are determined by the display back style (the area surrounding the mounting holes) and the diameter and depth of those holes.

select diameter



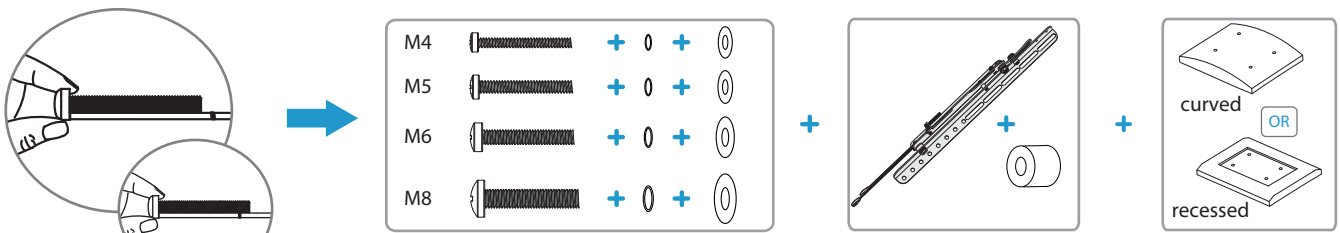
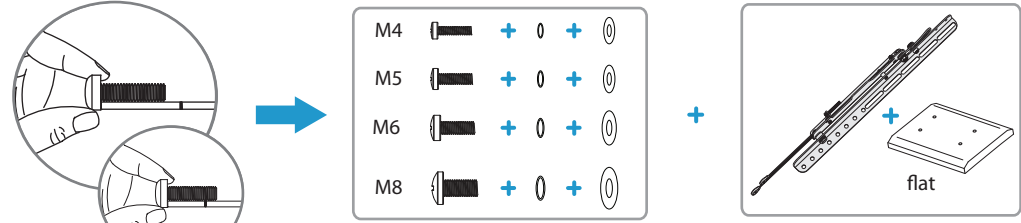
measure depth

Mark a toothpick or straw.

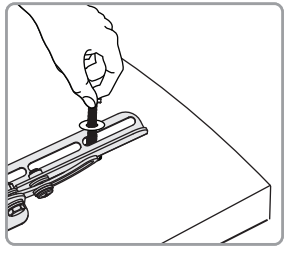



NOTE: Measure with spacer for displays with curved or recessed backs.

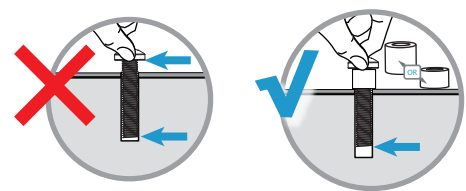
2 select



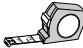
3 test

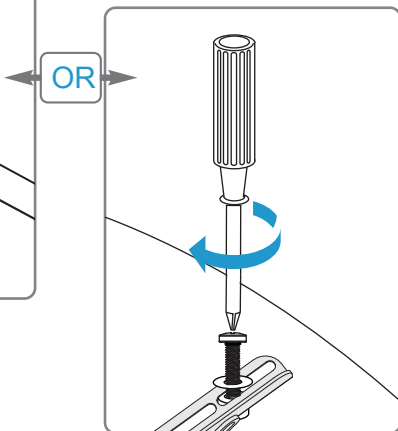
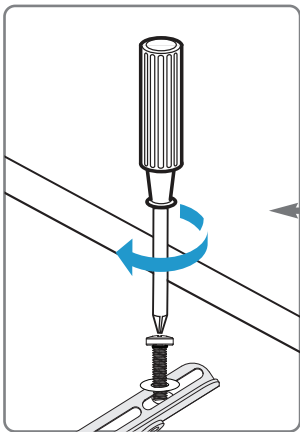
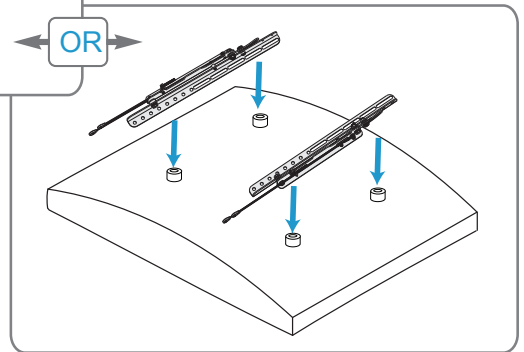
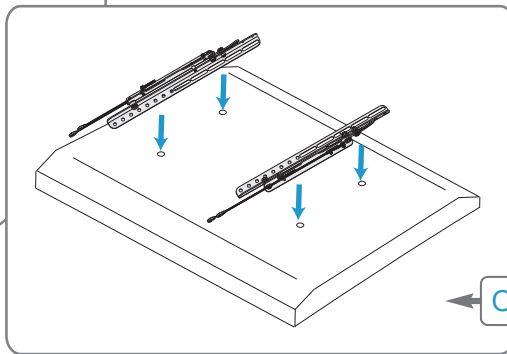
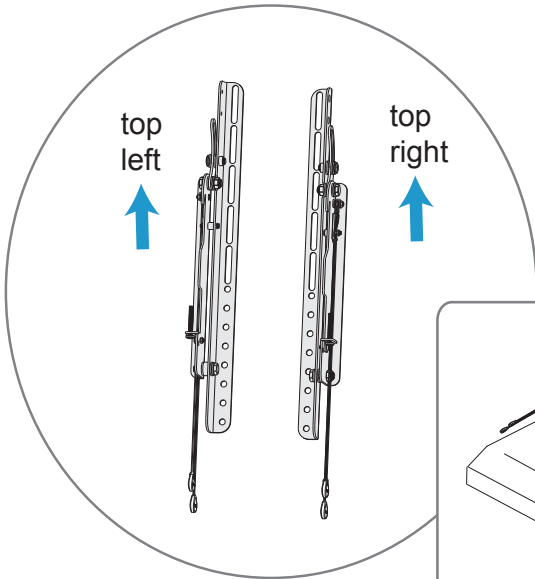
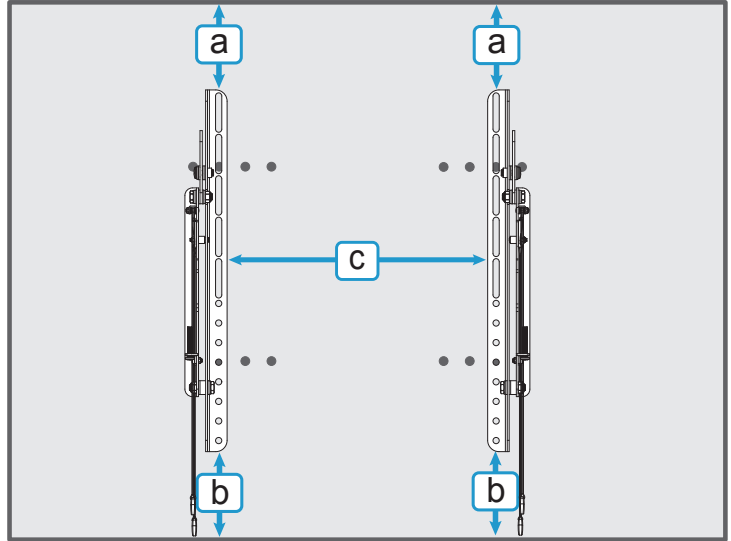
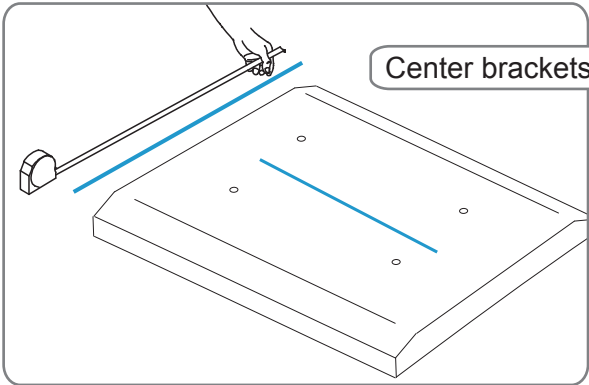



 Gently test all fasteners together, screwing them in by hand to ensure proper fit. Do not tighten. If there is any resistance, remove immediately and select alternate fasteners.



4 attach

 $a = b$
 $c = \text{maximum } 24.54'' (623.4\text{mm})$



 Tighten screws so brackets are firmly attached. **DO NOT OVER TIGHTEN.** Over tightening may damage your TV.

5 wall placement



BEFORE YOU BEGIN, MAKE SURE YOU CAREFULLY READ AND UNDERSTAND THE INSTRUCTIONS IN THIS MANUAL. Our goal is to make this installation easy for you. Please follow the instructions in the order presented in this manual and be sure to observe all warnings and cautions.

Wall Placement:

When selecting a wall to mount your display, keep the following in mind:

- Select a place with easy access to power outlets, cable input sources, and connections for speakers and accessories.
- Avoid direct sunlight, heat and vibrations and do not place in direct flow of traffic.
- **SELECT A WEIGHT BEARING WALL.** The wall must be able to safely support four times the combined load of the equipment and all attached hardware and components.

Mounting Height:

The optimal viewing height is to center the display at eye level when seated. Many people consider this to be too low for a wall mount, and commonly use the following rule for placement:

Position the bottom of the display no higher than eye level when seated, and the top of the display no higher than eye level when standing. Anything within these limits should normally provide a comfortable viewing experience.

Wall Suitability:

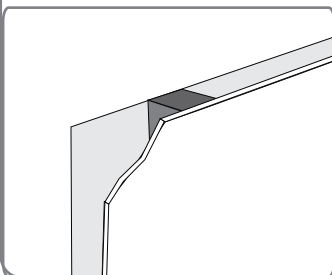
The hardware included is suitable for mounting to walls made of brick, solid concrete, concrete block or wood studs covered with drywall. If your mounting situation is different, please consult a qualified installer or contact STC Customer Care at (800) 293-2923.

Wall Stability:

Carefully inspect the wall area you have selected. Examine the wall surface before you begin drilling.

- For concrete walls, check for damaged or loose concrete and do not drill in those areas.
- For brick or concrete block, never drill into the mortar between blocks.
- For wood studs, locate the wall studs and drill in the center of the stud.
- **DO NOT DRILL NEAR ELECTRICAL WIRING AND WATER PIPES.**

wood stud



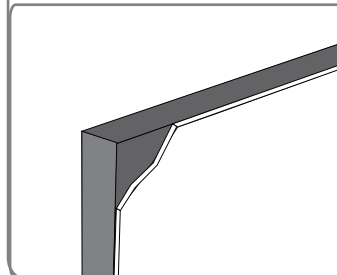
stud finder



Ø 5/32" (4 mm)
wood drill bit



masonry



Ø 1/4" (6 mm)

Ø 3/8" (10 mm)

masonry drill bits



nylon anchor

OR

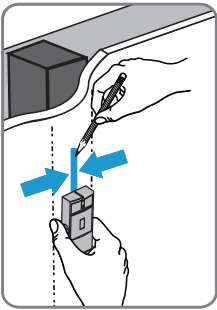


IMPORTANT: MAKE SURE THE WALL IS A WEIGHT BEARING WALL.

CAUTION: Failure to observe all safety precautions can result in serious physical injury and/or property damage. Consult a professional installer or contact STC Customer Care at customerservice@stcny.com or (800) 293-2923 if you have any questions.

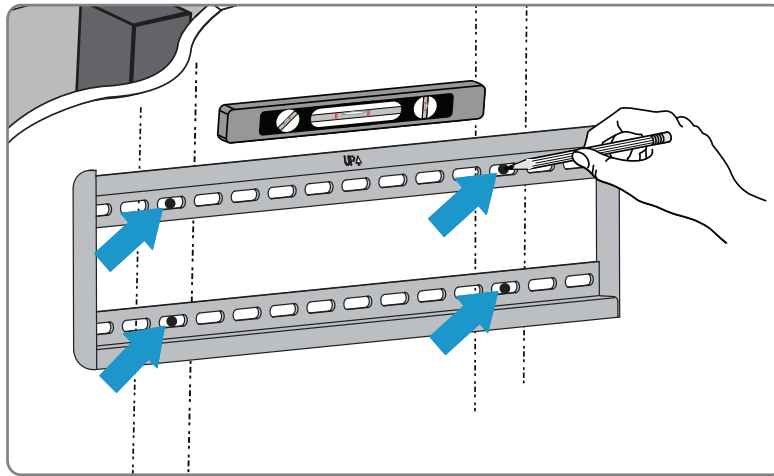
6 attach wall plate a to wood studs

solid wood stud
(2" x 4")

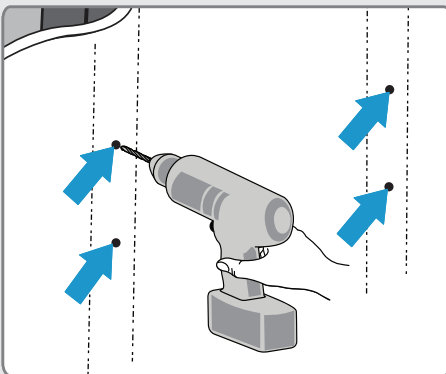


Use commercially available stud finder to locate stud centers. Studs are usually spaces 16" apart.

Using the wall plate as a template, mark the holes. Make sure the plate is level.



Avoid drilling near electrical wiring and water pipes. Mount must be attached to a weight bearing wall and must be installed directly onto center of wood stud. Failure to observe all safety precautions can result in serious physical injury and/or property damage. Consult a professional installer or call STC Customer Care at (800) 293-2923 if you have any questions.



Use 5/32" (4 mm) wood drill bit to drill 3" (76 mm) pilot holes. Then proceed to step 7.

Ø 5/32" (4 mm)
wood drill bit



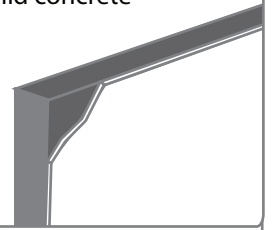
3"
(76 mm)



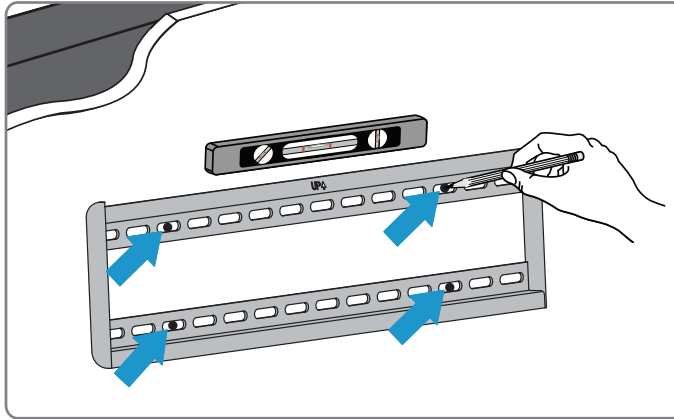
CAUTION: Wear safety glasses when operating power tools.

6 attach wall plate b to masonry walls

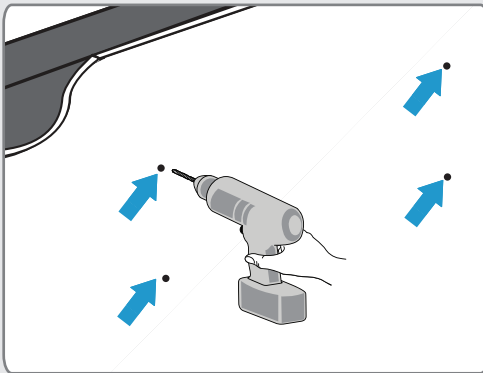
brick or solid concrete
(3000 psi)



Using the wall plate as a template, mark the holes.
Make sure the plate is level.

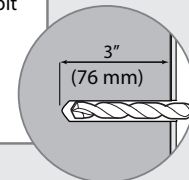


Avoid drilling near electrical wiring and water pipes. Mount must be attached to a weight bearing wall. Failure to observe all safety precautions can result in serious physical injury and/or property damage. Consult a professional installer or call STC Customer Care at (800) 293-2923 if you have any questions.



Use 1/4" (6 mm) masonry drill bit to slowly drill 3" (76 mm) pilot holes.
Then use 3/8" (10 mm) masonry drill bit to expand pilot holes.

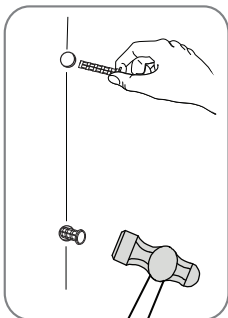
Ø 1/4" (6 mm)
Ø 3/8" (10 mm)
masonry drill bit



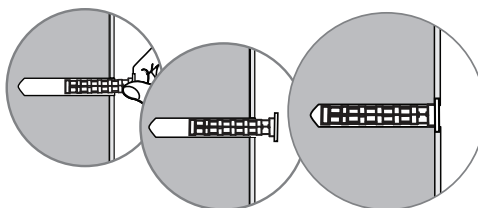
CAUTION: Wear safety glasses
when operating power tools.



Do not drill into mortar between
bricks or into loose concrete.

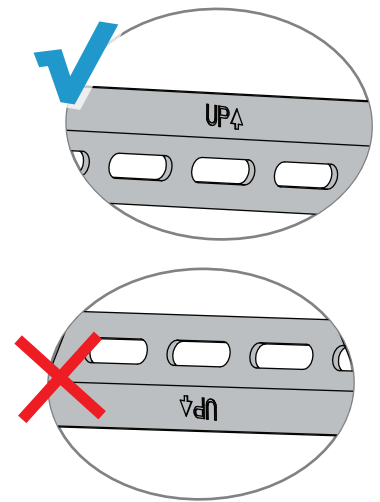
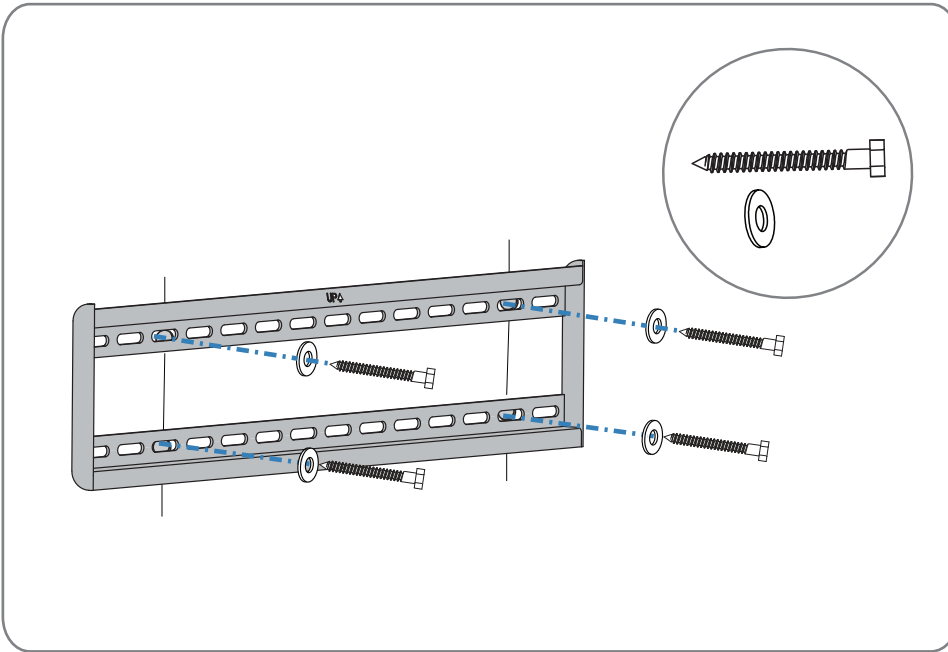


Insert anchors. Use hammer until completely flush to concrete surface,
even if covered by a layer of joint compound or other material.

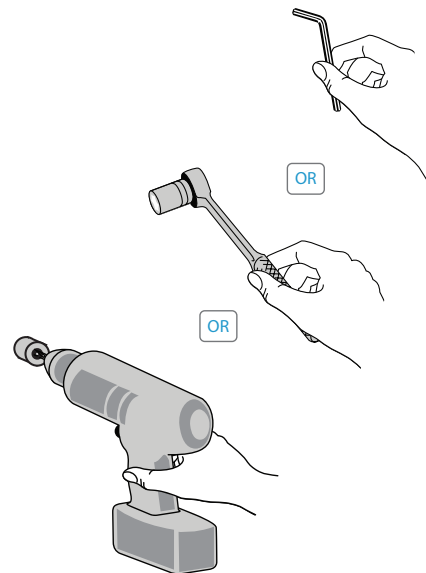
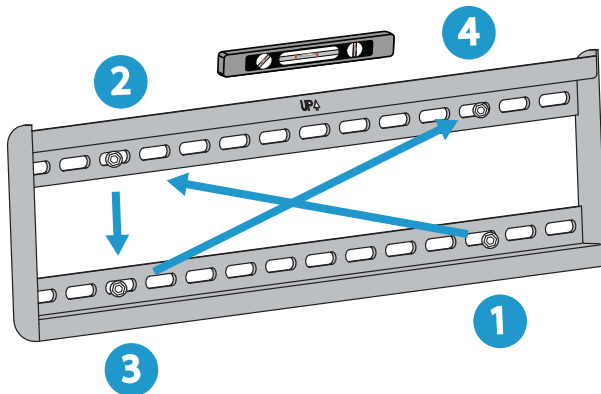


7

secure wall plate

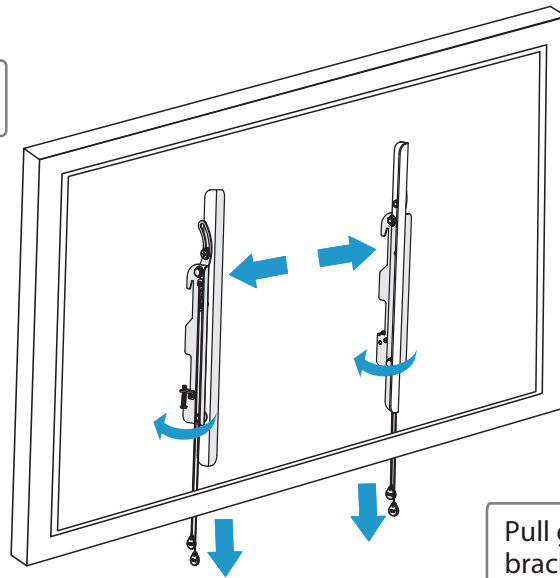
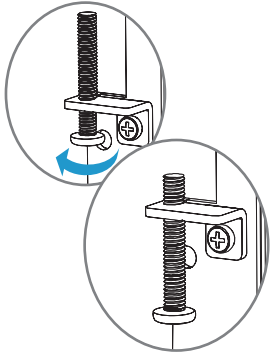


CAUTION: Make sure wall plate is level.

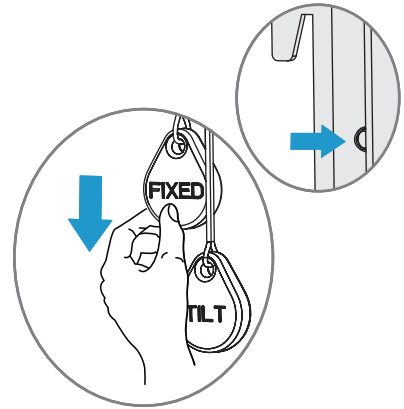


Tighten lag bolts so wall plate is firmly attached. **DO NOT OVER TIGHTEN.** Over tightening can damage screws, greatly reducing holding power.

Loosen safety screws before mounting.

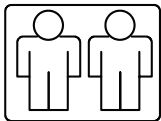


Bracket locks.



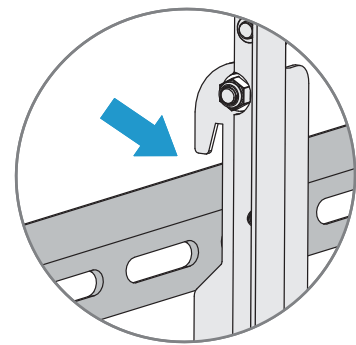
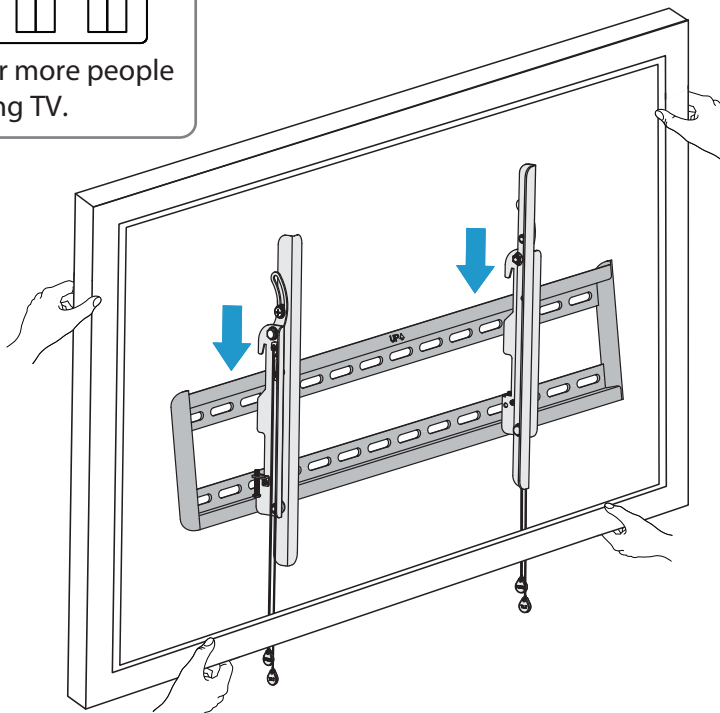
Pull green plastic FIXED tabs down until brackets lock into vertical position.

NOTE: Plug in cables before mounting TV as they may be hard to reach afterwards.



Use two or more people when lifting TV.

Gently lower TV onto wall plate.



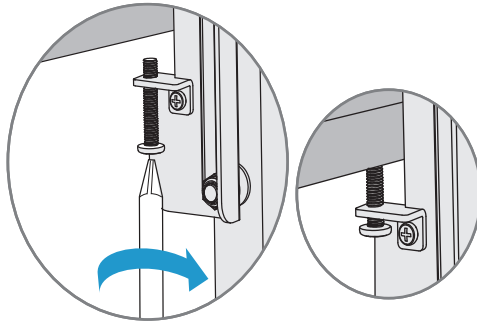
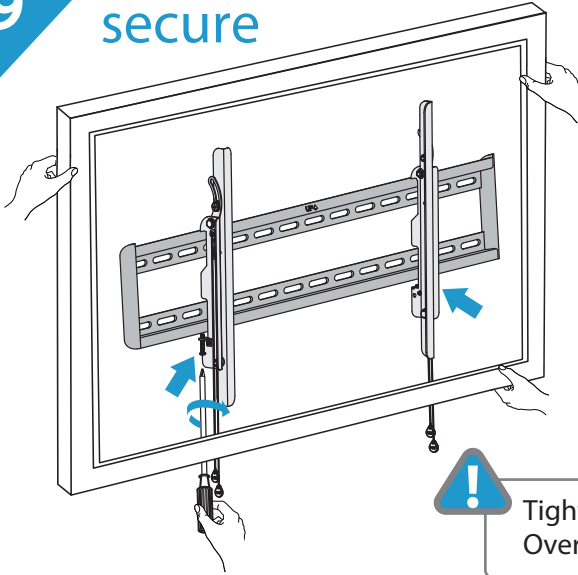
Make sure the brackets catch at the top edges of the wall plate.



IMPORTANT: Hold the TV into place until the safety screws are secured in Step 9.

9

secure



Use two or more people to secure TV.

IMPORTANT: Hold TV until secure.

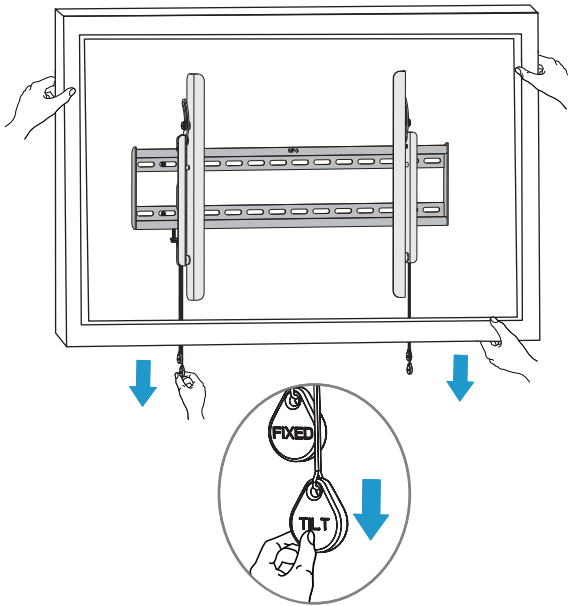
Tighten both sides firmly with a screw driver. **DO NOT OVER TIGHTEN.** Over tightening can damage screws, greatly reducing holding power.

10

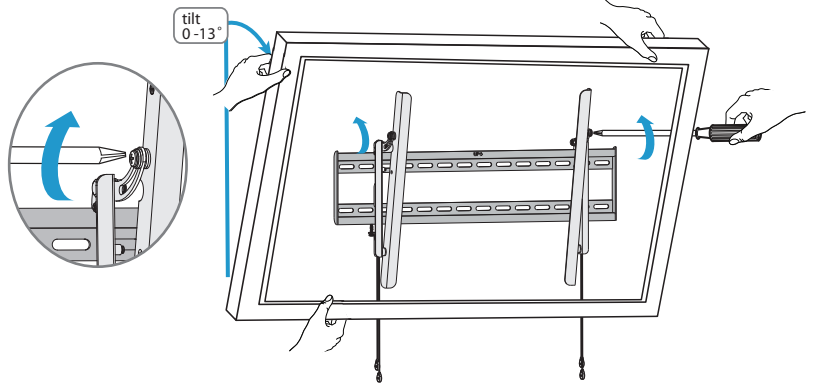
adjust

To tilt, gently push and hold TV against wall. Pull one red plastic TILT tab and then pull the other TILT tab to release pin holding mount in fixed vertical position.

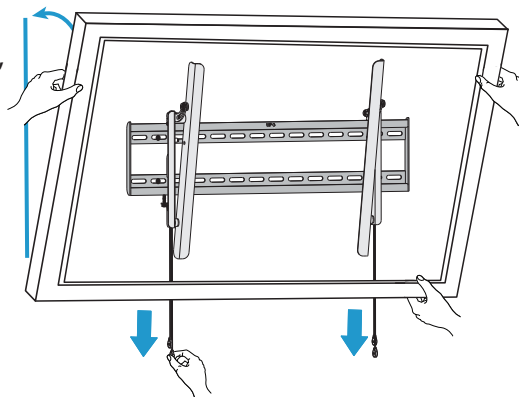
Use two or more people to adjust TV.



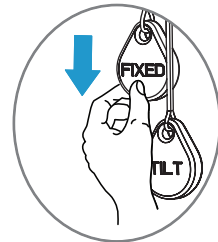
Adjust tilt to desired position, and secure by tightening screw on outside of each bracket.



To return TV to fixed vertical position, loosen screw on outside of each bracket and gently push TV back to vertical position.



IMPORTANT: Hold TV until secure.



Pull each green plastic FIXED tab to lock TV into place.

LIFETIME WARRANTY

STC warrants that it will replace or repair this item, free of charge, at STC's sole discretion, should it prove defective in materials or workmanship.

If a claim is made under this warranty, the mount should be returned, freight prepaid, with the original purchase receipt to your dealer or to a Space Saver distributor.

This warranty does not apply to:

- Normal wear and tear
- Friction damage
- Coating defects
- Defects caused by loosened screws, nuts or bolts
- Improperly mounting the bracket to the wall
- Improperly installing the bracket to the display
- Failure to properly follow installation instructions
- Modification or repairs not made or authorized by STC
- Loading beyond permitted load
- Intentional misuse



Systems Trading Corporation

450 7th Avenue Suite 2809, New York, NY 10123

Phone: (212) 239-8230 Toll Free: (800) 293-2923 Email: customerservice@stcny.com

V2.1 Copyright © 2010, Systems Trading Corporation, All rights reserved.