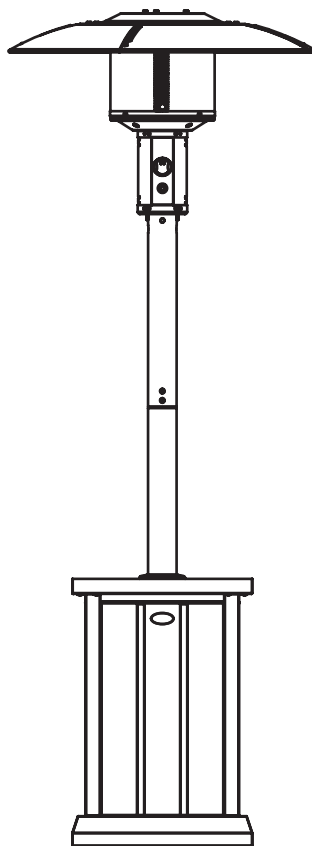




Item #
Model # SRPH78

USE AND CARE GUIDE

Devonport tile top Patio Heater



Questions, problems, missing parts? Before returning to the store, call Hampton Bay Customer Service 8 a.m. – 7 p.m., EST, Monday – Friday, 9 a.m. – 6 p.m., EST, Saturday

1-855-HD-HAMPTON

HAMPTONBAY.COM

THANK YOU

We appreciate the trust and confidence you have placed in Hampton Bay through the purchase of this fire pit. We strive to continually create quality products designed to enhance your home. Visit us online to see our full line of products available for your home improvement needs. Thank you for choosing Hampton Bay !

Table of Contents

Table of Contents.....	2	Assembly.....	6
Safety Information.....	2	Cylinder Installation.....	9
Warranty.....	4	Operation.....	10
What is Covered.....	4	Maintenance.....	11
What is Not Covered.....	4	Care and Cleaning.....	11
CA65 Propane Warning.....	4	Trouble Shooting.....	11
Pre-Assembly.....	4	Service Parts.....	12
Planning Assembly.....	4		
Tools Required.....	4		
Hardware Included.....	4		
Package Contents.....	5		

Safety Information



DANGER



CARBON MONOXIDE HAZARD

This appliance can produce carbon monoxide which has no odor.

Using it in an enclosed space can kill you.

Never use this appliance in an enclosed space such as a camper, tent, car or home.



WARNING: Improper installation, adjustment, alteration, service or maintenance can cause injury or property damage. Read the installation, operation and maintenance instructions thoroughly before installing or servicing this equipment.



NOTE: PLEASE READ THE FOLLOWING SAFETY RULES:

Perform a leak test with a soapy solution:

1. To check gas connections.
2. After connecting a new cylinder.
3. Upon re-assembly after disassembly.



NOTE: This appliance requires 20 lb (9 kg) LP gas supply cylinder.



NOTE: The maximum inlet gas supply pressure: 250 PSI



DANGER: If you smell gas:

1. Shut off gas to the appliance.
2. Extinguish any open flame.
3. If odor continues, keep away from the appliance and immediately call your gas supplier or fire department.



WARNING: Do not store or use gasoline or other flammable vapors and liquids in the vicinity of this or any other appliance.

An LP-cylinder not connected for use shall not be stored in the vicinity of this or any other appliance.



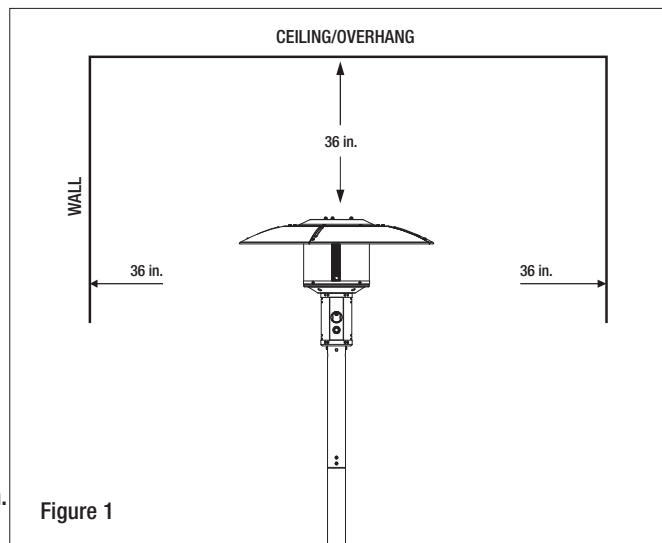
WARNING: For Outdoor Use Only.



CAUTION: CAUTION: Installer: Leave the instruction manual to the user for future use. **Consumer:** Please keep this manual for future reference.

Safety Information (Continued)

1. The installation must conform with local codes or, in the absence of local codes, with the National Fuel Gas Code, ANSI Z223.1/NFPA 54, NFPA58 Natural Gas and Propane Installation Code, CSA B149.1, or Propane Storage and Handling Code, B149.2
2. The heater, when installed, must be electrically grounded in accordance with local codes or, in the absence of local codes, with the National Electrical Code, ANSI/NFPA 70, or the Canadian Electrical Code, CSA C22.1.
3. Prior to use, check for damaged parts such as hoses, regulators, pilot or burner.
4. All leak tests should be done with a soapy solution. NEVER USE AN OPEN FLAME TO CHECK FOR LEAKAGE.
5. The propane hose with regulator assembly shall be located out of pathways where people may trip over it or in areas where the hose will not be subject to accidental damage.
6. Children and adults should be alerted to the hazards of high surface temperatures and should stay away to avoid burns or clothing ignition.
7. Young children should be carefully supervised when they are in the area of the heater.



8. Clothing or other flammable materials should not be hung from the heater, or placed on or near the heater.
9. Any guard or other protective device removed for servicing the heater must be replaced prior to operating the heater.
10. Installation and repair should be done by a qualified service person. The heater should be inspected before use and at least annually by a qualified service person.
11. More frequent cleaning may be required as necessary. It is imperative that control compartment, burners and circulating air passageways of the heater be kept clean.
12. Keeping the appliance area clear and free from combustible materials, gasoline and other flammable vapors and liquids.
13. Not obstructing the flow of combustion and ventilation air.
14. Keeping the ventilation opening(s) of the cylinder enclosure free and clear from debris.
15. This appliance shall be used only in a well-ventilated space and shall not be used in a building, garage or any other enclosed area.
16. An appliance may be installed with shelter no more inclusive than:
 17. With walls on all sides, but with no overhead cover.
 18. Within a partial enclosure which includes an overhead cover and no more than two side walls. These side walls may be parallel, as in a breezeway, or at right angles to each other
 19. Within a partial enclosure which includes an overhead cover and three side walls, as long as 30 percent or more of the horizontal periphery of the enclosure is permanently open.
20. The LP-gas supply cylinder to be used must be: Constructed and marked in accordance with the Specifications for LP-gas cylinders of the U.S.
21. Department of Transportation (DOT); or the Standard for Cylinders, Spheres and Tubes for Transportation of Dangerous Goods and Commission, CAN/CSA-B339, as applicable;
22. Provided with a listed overfilling prevention device; and provided with a cylinder connection device compatible with the connection for the appliance.
23. The cylinder be disconnected when the appliance is not in use.
24. Storage of an appliance indoors is permissible only if the cylinder is disconnected and removed from the appliance.
25. A cylinder must be stored outdoors in a well-ventilated area out of the reach of children. A disconnected cylinder must have dust caps tightly installed and must not be stored in a building, garage or any other enclosed area.
26. The pressure regulator and hose assembly supplied with the appliance must be used, replacement pressure regulators and hose assemblies must be those specified by the appliance manufacturer.
27. Do not store a spare LP-gas cylinder under or near this appliance; Never fill the cylinder beyond 80 percent full;
28. Do not clean the heater with cleaners that are combustible or corrosive.
29. Place the dust cap on the cylinder valve outlet whenever the cylinder is not in use. Only install the type of dust cap on the cylinder valve that is provided with the cylinder valve. Other types of caps or plugs may result in leakage of propane
30. Certain materials or items, when stored under the heater, will be subjected to radiant heat and could be seriously damaged.
31. Inspect the visible portion of the hose before each use of the appliance and inspect the entire hose assembly at least annually.
32. The cylinder used must include a collar to protect the cylinder valve.

Warranty

ONE-YEAR LIMITED WARRANTY

WHAT IS COVERED

We warrant to the original consumer/purchaser that all aspects of this product will be free of defects in material and workmanship for one year from the date of purchase. A replacement for any defective part will be supplied free of charge for installation by the customer.

The warranty shall be effective from the date of purchase as shown in the purchaser's receipt.

WHAT IS NOT COVERED

Defects or damage caused by the use of other than genuine parts are not covered by this warranty. We will not be responsible for labor charges and/or damage incurred in installation, repair and replacement, nor for incidental or consequential damage. This warranty gives you specific rights, and you may also have other rights that vary from state to state.

The warranty is valid for the original consumer/purchase only and excludes industrial, commercial or business use of product, product damage due to shipment or failure which results from alteration, product abuse, or product misuse, whether performed by a contractor, service company, or consumer.

Contact the Customer Service Team at 855-HD-HAMPTON or visit www.hamptonbay.com.

CP 65 Propane Warning



WARNING: FUELS USED IN LIQUEFIED PROPANE GAS APPLIANCES, AND THE PRODUCTS OF COMBUSTION OF SUCH FUELS, CAN EXPOSE YOU TO CHEMICALS INCLUDING BENZENE, WHICH IS KNOWN TO THE STATE OF CALIFORNIA TO CAUSE CANCER AND CAUSE BIRTH DEFECTS OR OTHER REPRODUCTIVE HARM. For more information go to: www.P65Warnings.ca.gov.

ADVERTENCIA: LOS COMBUSTIBLES USADOS EN EQUIPOS PARA LICUAR GAS PROPANO, ASÍ COMO LOS PRODUCTOS DE SU COMBUSTIÓN, PUEDEN EXPONERTE A SUSTANCIAS QUÍMICAS, ENTRE ELLAS EL BENCENO, QUE EL ESTADO DE CALIFORNIA RECONOCE COMO CAUSA DE CÁNCER Y DE MALFORMACIONES CONGÉNITAS Y OTROS DAÑOS AL SISTEMA REPRODUCTOR. Para más información, visite www.P65Warnings.ca.gov

Pre-Assembly

PLANNING INSTALLATION

Before beginning assembly of product, make sure all parts are present.

If any part is missing or damaged, do not attempt to assemble the product.

Contact customer service for replacement parts.

TOOLS REQUIRED



NOTE: Tools are not included in the package.



Adjustable Wrench



Philips screwdriver

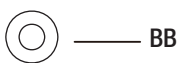
HARDWARE INCLUDED



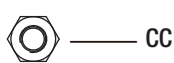
NOTE: Hardware not shown to actual size.



AA



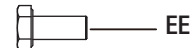
BB



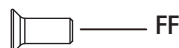
CC



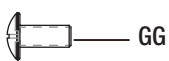
DD



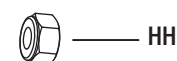
EE



FF



GG

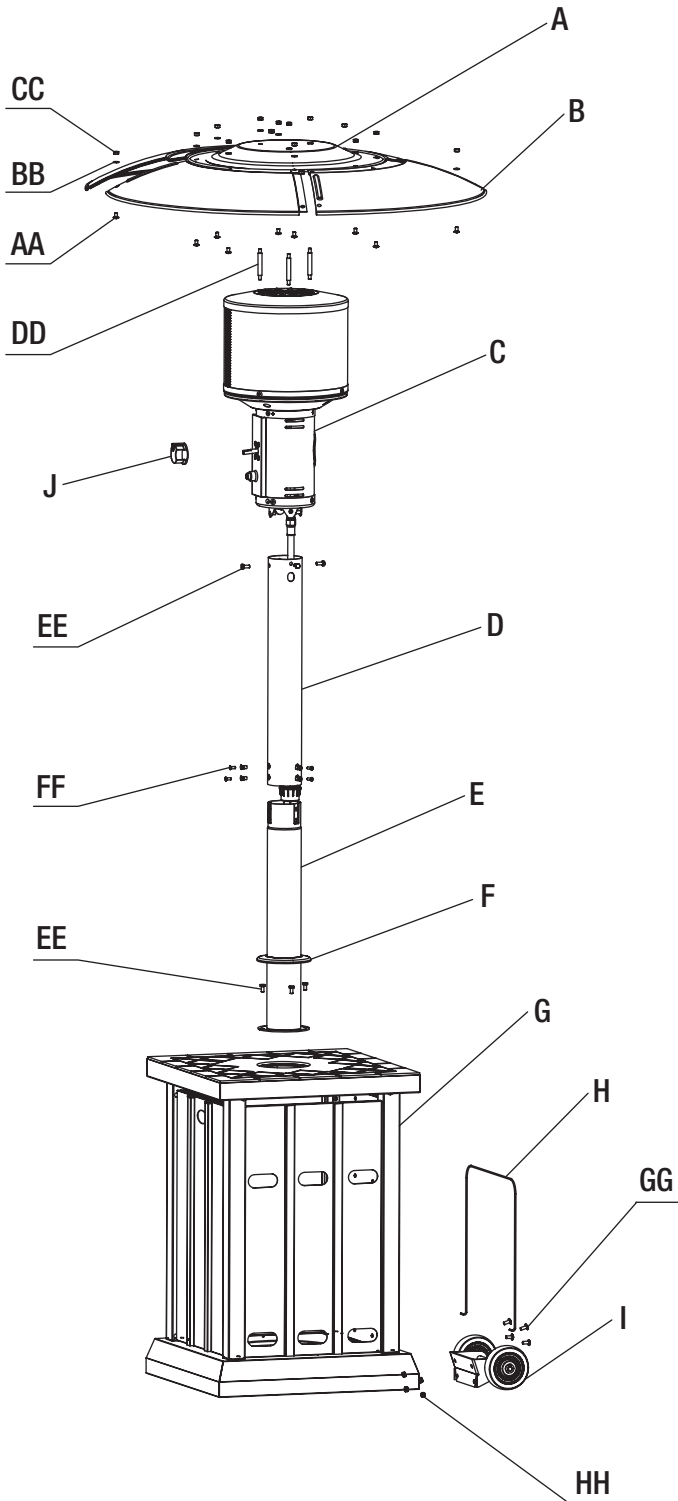


HH

Part	Description	Quantity
AA	M6 x 10 Screw	12
BB	D6 Washer	18
CC	M6 Nut	15
DD	M6 x 70 Double Pointed Bolt	3
EE	M6 x 14 Bolt	8
FF	M6 x 12 Flat Bolt	6
GG	M6 x 14 Screw	4
HH	M6 Locking Nut	4

Pre-Assembly (continued)

PACKAGE CONTENTS

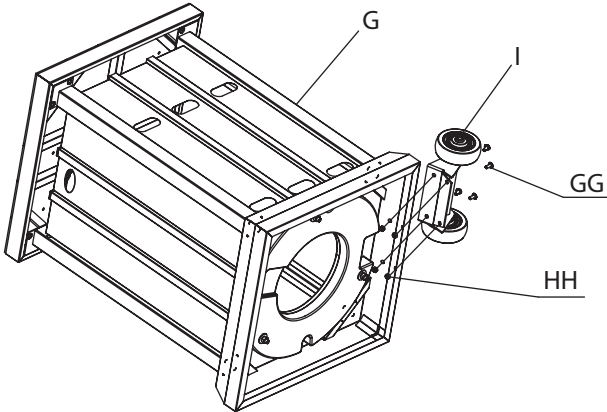


Part	Description	Quantity
A	Center Reflector Cap	1
B	Reflector Shields	4
C	Burner Head	1
D	Upper Pole	1
E	Lower Pole	1
F	Decorative Cap	1
G	Base	1
H	Cylinder Locking Bar	1
I	Wheel	1
J	Knob	1

Assembly

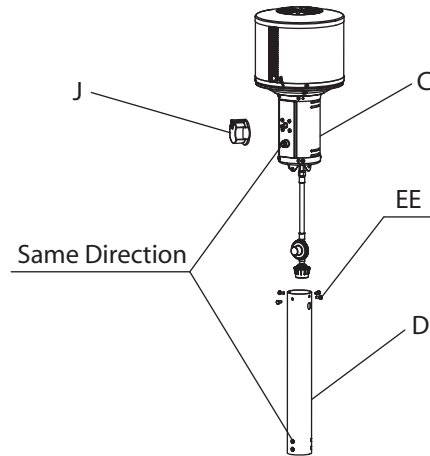
1 Install Wheel

- Attach wheel (I) to the base (G) by with (4) M6x14 screws (GG) & (4) M6 locking nuts (HH).



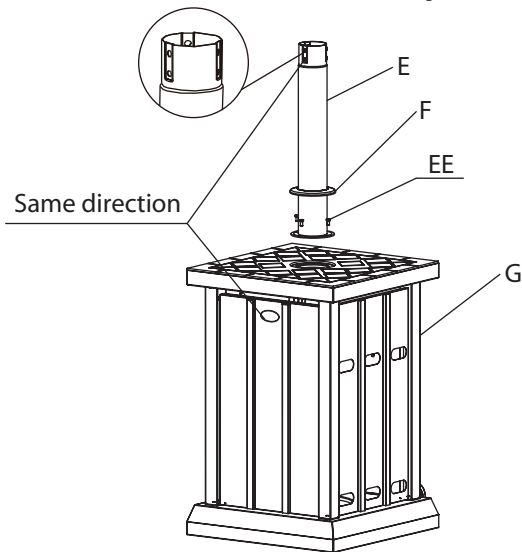
3 Install Burner Head Assembly

- Insert the hose & regulator of burner head (C) into upper pole (D), then tighten the burner head (C) to the upper pole (D) with (4) M6 x 14 bolts (EE).
Note: Make sure the regulator goes through the pole and follow the instruction shown in figure.
Align Instruction and Warning with control knob.



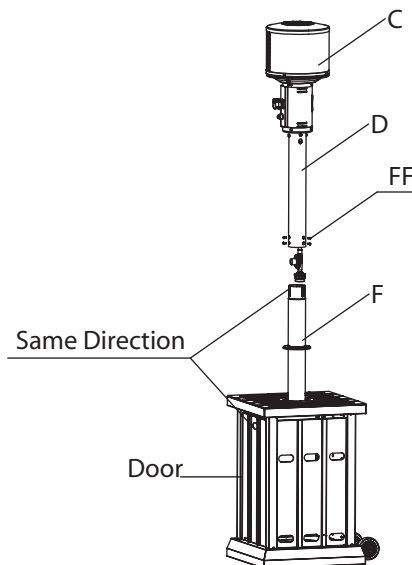
2 Install Lower Pole

- Attach lower pole (E) onto the base with (4) M6 x 14 bolts (EE). Then slide the decorative cap (F) over the lower pole (E) to cover the bolts.
Note: When you assemble lower pole to the base, please follow the instruction shown in figure.



4 Install Upper Pole

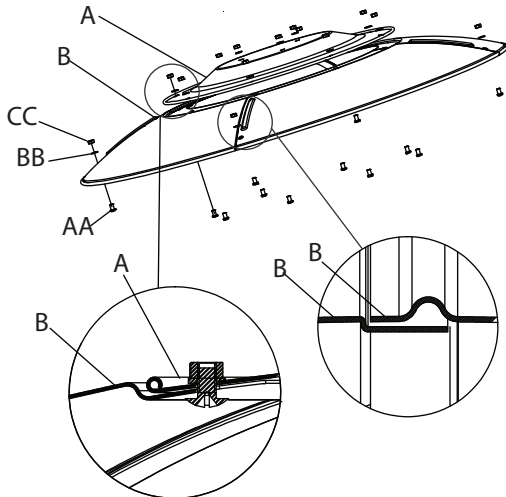
- Insert gas hose and regulator of the burner head (C) into the lower pole (E). Place the upper pole (D) on the lower pole (E) tighten with (6) M5 x 12 flat bolts (FF).
Note: Make sure to follow the instruction shown in figure.



Assembly (continued)

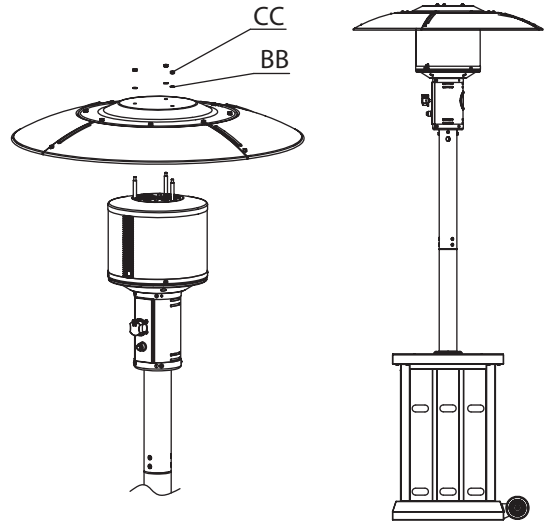
5 Install Reflector

- Fan open the reflector shields (B) and align holes to attach the center reflector cap (A) on the top of the four reflector shields (B) with (12) M6 x 10 screws (AA), (12) 6mm washers (BB) and (12) M6 nuts (CC).



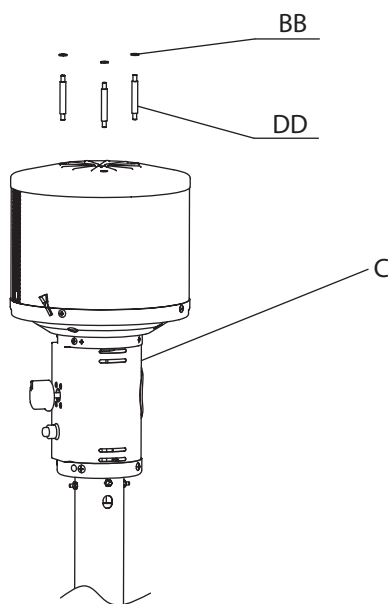
7 Place Reflector Assembly

- Place the reflector assembly onto the top of the burner head (C) and tighten with (3) 6mm washers (BB) and (3) M6 nuts (CC).



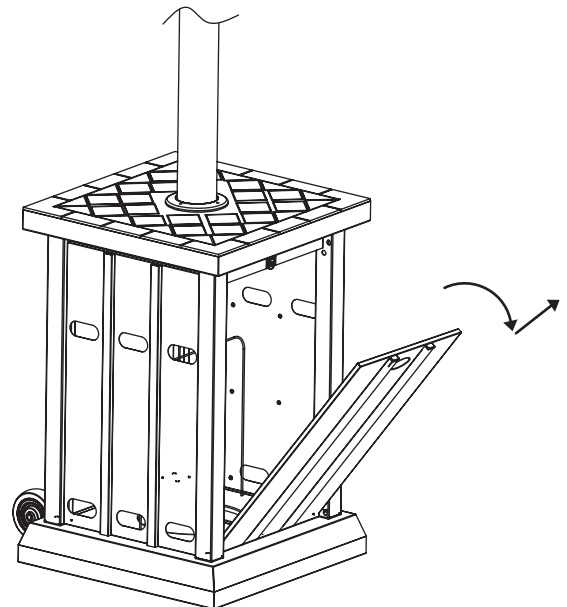
6 Place Bolt

- Thread (3) 6mm washers (BB) and (3) M6 x 70 double pointed bolts (DD) into the burner head (C).



8 Open the Door

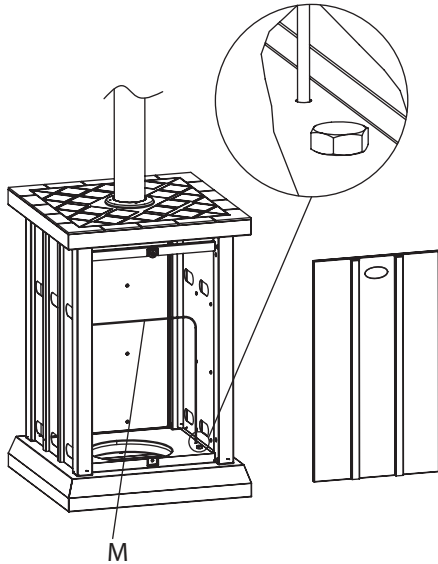
- Open the door per the figure shown.



Assembly (continued)

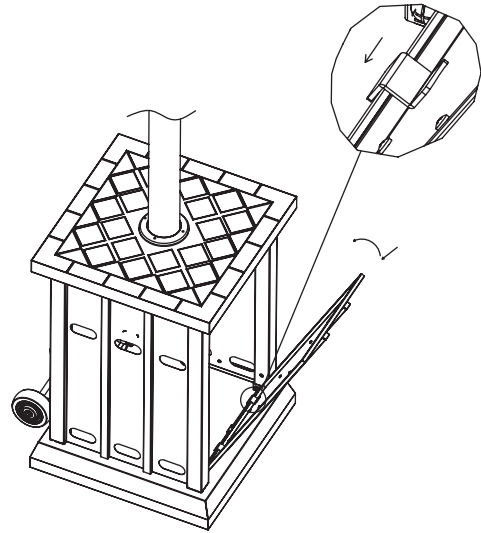
9 Place Gas Cylinder

- Place the gas cylinder (not included) into the base (G) and secure with the cylinder locking bar (H).



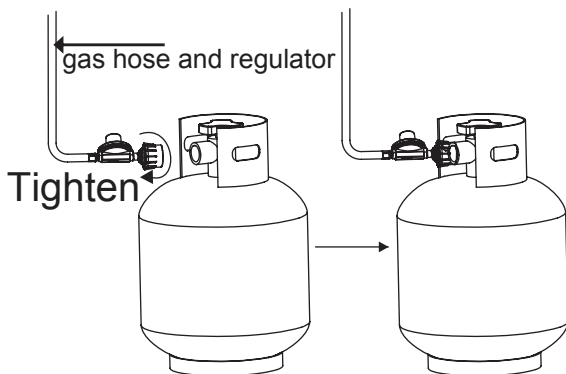
11 Close the Door

- To close the door per the figure shown.



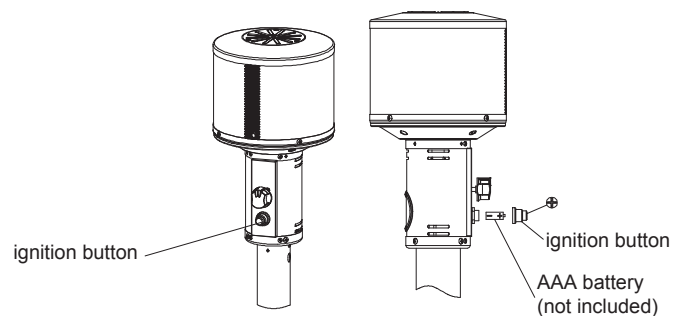
10 Install Regulator

- Attach the regulator to the cylinder and turn clockwise to securely tighten the valve. Close and latch the door. Note: Make sure to check for leaks after attaching the cylinder. (For instructions, refer to the page14-SAFETY CHECK) To remove the regulator, turn off the cylinder valve and turn counterclockwise the regulator to loosen from the cylinder.



12 Install Battery

- Unscrew the battery compartment cap on the control panel, install one AAA battery (not included) with anode end of battery located towards the battery compartment cap.



Safety Check

WARNING : ONLY AN AUTHORIZED GAS TECHNICIAN SHOULD INSTALL THIS PRODUCT.

Check for leaks

All connection on the patio heater have been checked for leakage at the factory. In transportation and handling some connections may have loosened.

Follow these steps to check the gas hose/regulator/cylinder connections:

- 1) Make leakage solution by mixing 1 part liquid dish soap and 3 parts water.
- 2) Spoon or brush several drops (or use squirt bottle) of the solution onto hose connection, regulator & cylinder connection.
- 3) Turn on gas cylinder valve. Inspect the connections and look for bubbles.
- 4) If no bubbles appear, the connection is safe.
- 5) If bubbles appear, there is leakage. Loosen and re-tighten this connection. If connection still leaks, please call customer service:



Note:

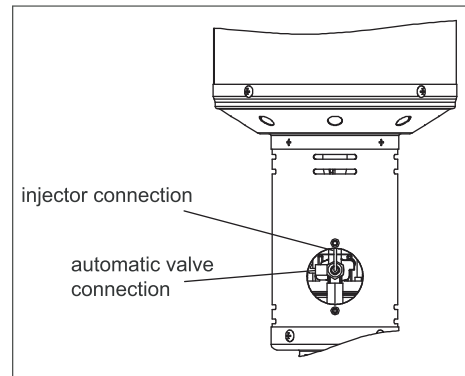
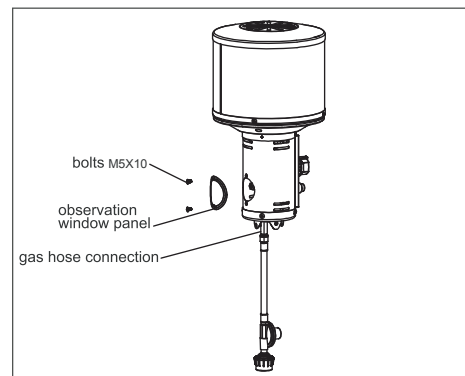
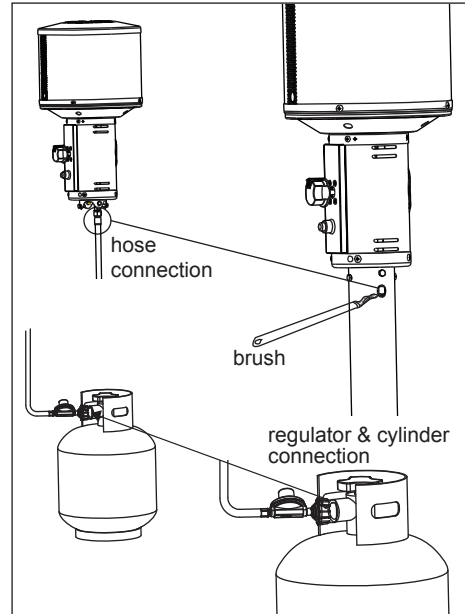
- 1) The cylinder supply system must be arranged for vapor withdrawal;
- 2) The cylinder used must include a collar to protect the cylinder valve. The hose assembly must be replaced prior to the appliance being put into operation if there is evidence of excessive abrasion or wear, or if the hose is damaged.

At least once a year, a complete inspection of the entire gas path components should be performed.

If there is need to replace parts, proceed to leak test after reassembly (These procedures should be performed by a professional technician).



WARNING: ONLY AN AUTHORIZED GAS TECHNICIAN SHOULD INSTALL THIS PRODUCT. PROPER ASSEMBLY IS THE RESPONSIBILITY OF THE INSTALLER.



Annual check operation:

- a. Remove the observation window panel by un-screwing two bolts.
- b. Turn on LP gas cylinder valve.
- c. Spoon several drops (or use squirt bottle) of the solution onto gas hose connection and automatic valve connection and the injector connection.
- d. Inspect the connections and look for bubbles.
- e. If no bubbles appear, the connection is safe.
- f. If bubbles appear, there is a leak. Shut off the LP gas cylinder valve, loosen and then re-tighten this connection.
- g. Check for leaks again.
- h. If bubbles still appear, close the LP gas cylinder valve and call our customer service line 1-866-814-0585. Do not attempt to use the heater.

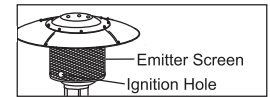
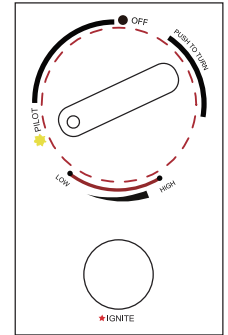
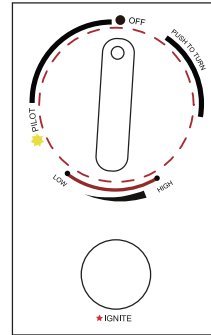
i. Hose checking step:

- (1) Unscrew M6 X 14 screw from the pole.
- (2) Pull out the head assembly, hose & regulator from the pole.
- (3) Check if there are cracks or worn sections on the hose. If yes, replace the hose & regulator immediately.
- (4) Check for leaks according to the above step by step after replacing the hose & regulator.

Operation

LIGHTING INSTRUCTION

1. Turn the control knob to "OFF" position.
2. Turn LP cylinder gas valve to fully open position.
3. Push in gas control knob and turn counter-clockwise to "PILOT" position, at the same time push in the ignition button and keep the button depressing until light the pilot.
4. Once the pilot is lit, continue to keep the control knob depressed for at least 30 seconds, Then release control knob.
5. If pilot does not stay lit, repeat steps 3 and 4 after 5 minutes.
6. If pilot still does not stay lit, then:
 - a) Push in gas control knob and turn counter clockwise to the "PILOT" position.
 - b) keep depressing the control knob, put long stem lighter into the ignition hole on the emitter screen to light the pilot.
 - c) Repeat step 4.
7. Push in and turn control knob counter clockwise to "HIGH" position, If you want a lower temperature, push in the control knob and turn clockwise to the "LOW" position.



FLAME CHARACTERISTIC

The flame pattern at the emitter screen should be visually checked whenever heater is operated. Normally the burner flame is blue, but little yellow flame is acceptable.

If flame extend beyond surface of the emitter grid, or the phenomena of flame lift or light back, or black spot is accumulating on the emitter grid or reflector, the heater should but turned off immediately. The heater should not be operated again until the unit is serviced and or repaired.

OPERATION PRESSURE CHECKED:

If the flame is very small, this is because the supply pressure is not enough. Please refill gas cylinder.

RE-LIGHT:

- 1) Turn the control knob to "OFF " position.
- 2) Wait five (5) minutes before attempting to relight appliance
- 3) Repeat steps beginning with step 3 of the lighting instruction.

SHUT DOWN INSTRUCTIONS:

- 1) Push in and turn control knob clockwise to "OFF" position.
- 2) Turn LP cylinder valve to "OFF" position.

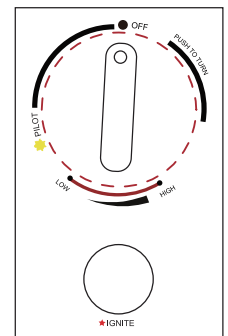
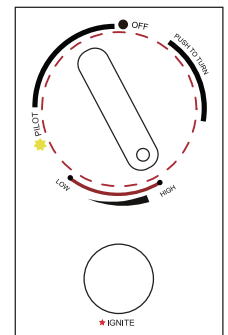
THE EVENT OF GAS LEAKAGE:

Turn the control knob to "OFF" position.

Turn LP cylinder valve to "OFF" position

Wait 5 minutes to allow gas to dissipate.

If odor continues, immediately call gas supplier.



WARNING : Heater will be hot after use. Handle with extreme care.

Maintenance

- Turn the control knob to "OFF" position.
- Turn LP cylinder to "OFF" position.
- Store heater upright in an area sheltered from direct contact with inclement weather (such as rain, sleet, hail, snow, dust and debris).
- If desired, cover heater to protect exterior surfaces and to help prevent build up in air passages.
During periods of extended inactivity or when transporting;
- Turn the control knob to "OFF" position.
- Disconnect the regulator from the LP Cylinder by turning counter-clockwise and move to a secure, well-ventilated location outdoors.
DO NOT store in a location that will exceed 125 degrees F.
- Store heater upright in an area sheltered from direct contact with inclement weather (such as rain, sleet, hail, snow, dust and debris).
- If desired, cover heater to protect exterior surfaces and to help prevent build up in air passages.

Care and Cleaning

Keep exterior surfaces clean.

Use warm soapy water for cleaning. Never use flammable or corrosive cleaning agents.

While washing your unit, be sure to keep the area around the burner dry at all times. If the gas control is exposed to water in any way, do NOT try to use it. It must be replaced.

Keep the appliance area free and clean from combustible materials, gasoline and other flammable vapors and liquids; not obstructing the flow of combustion and ventilation air; keeping the ventilation opening(s) of the cylinder enclosure free and clear from debris.

Visually check burner flames.

Screw down the screws on pole, take out the burner head assembly.

Check if there are cracks or worn sections on hose. If yes, please call our customer service to replace hose.

At least once a year, the unit should be inspected for the presence of spiders, spider webs or other insects.

Air flow must be unobstructed. Keep controls, burner, and circulating air passageways clean. Signs of possible blockage include:

1. Gas odor with extreme yellow tipping of flame.
2. Heater does NOT reach the desired temperature.
3. Heater glow is excessively uneven.
4. Heater makes popping noises.

Spiders and insects can nest in burner or orifices. This dangerous condition can damage heater and render it unsafe for use. Clean burner holes by using a heavy-duty pipe cleaner. Compressed air may help clear away smaller particles.

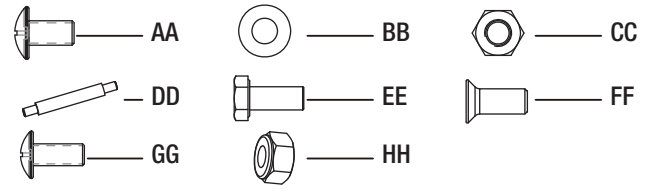
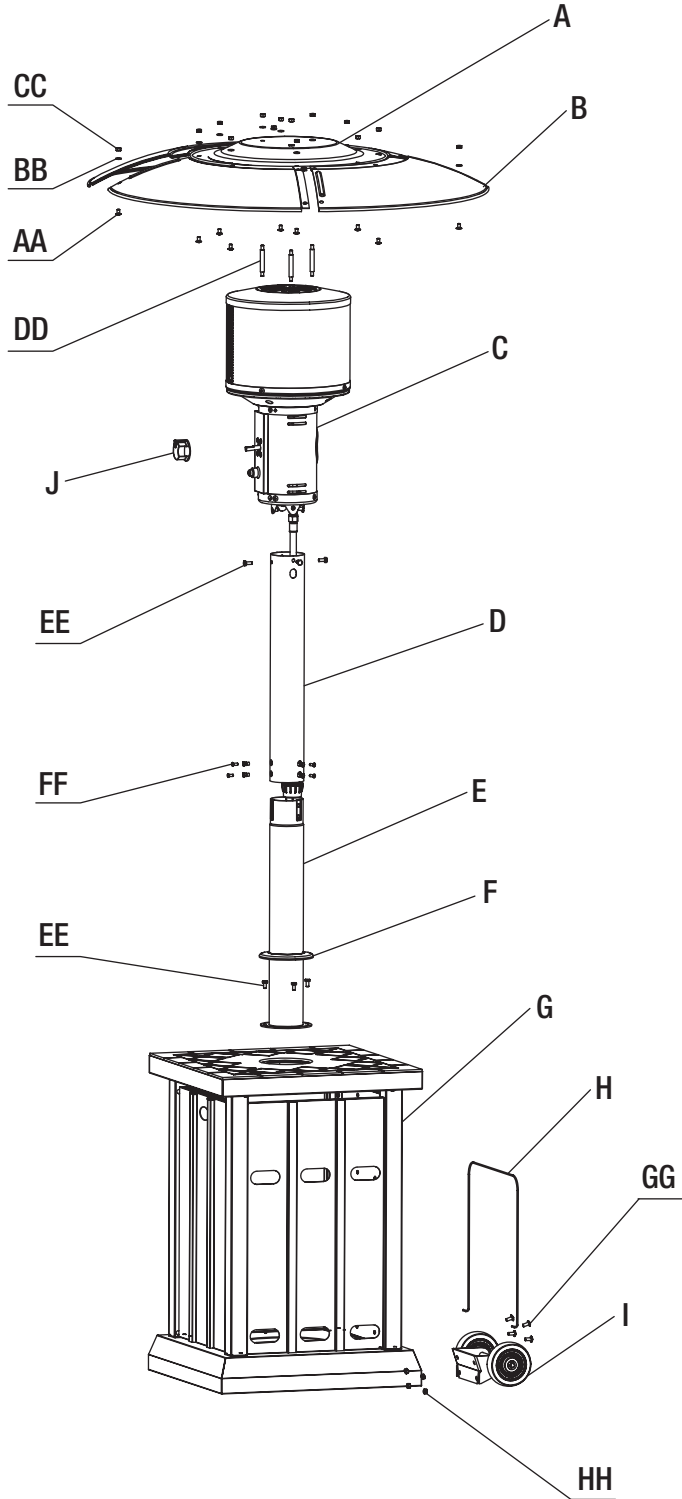
Carbon deposits may create a fire hazard. Clean dome and burner screen with warm soapy water if any carbon deposits develop.

Trouble Shooting

PROBLEM	PROBABLE CAUSE	SOLUTION
Burner will not light	Pressure is low	Fuel tank is near empty
	control valve not ON	Turn valve to ON
	Thermocouple broken	Contact customer service to get the component
Ignition will not stay on	Thermocouple broken	Contact customer service to get the component
no click voice when igniting	ignitor pin	try manual ignition; if ignited, please contact customer service to get the component
	valve broken	try manual ignition; if still do not ignited, contact customer service to return goods
Yellow Flame (flame too small)	valve broken	Contact customer service
Yellow Flame (flame too big)	valve broken	Contact customer service

Service Parts

MODEL TYPE



Part	Description	Quantity
A	Center Reflector Cap	1
B	Reflector Shields	4
C	Burner Head	1
D	Upper Pole	1
E	Lower Pole	1
F	Decorative Cap	1
G	Base	1
H	Cylinder Locking Bar	1
I	Wheel	1
J	Knob	1



Questions, problems, missing parts? Before returning to your retailer, call our customer service department 8 a.m. - 6 p.m., EST, Monday - Friday, 9 a.m. - 6 p.m., EST, Saturday.

855-HD-HAMPTON

HAMPTONBAY.COM

Retain this manual for future use.