



**INSTALLATION INSTRUCTIONS
FOR
8000 SERIES
AIR CONDITIONERS**

**CLIMATISEURS
SÉRIE 8000
INSTRUCTIONS D'INSTALLATION**

TABLE OF CONTENTS

I.	General Information	2
II.	Air Conditioning Sizing	3
III.	Selecting An Installation Location	3
IV.	Installing The Roof Top Unit	3
V.	Securing The Air Conditioner To The Roof	6
VI.	Electrical Wiring.	7
VII.	Installing The Ceiling Assembly (9000 Series)	7
VIII.	Completing The Installation (9000 Series)	10

These instructions are a general guide for installing the 8000 Series RV Products roof top air conditioners. For specific air conditioner details, it will be necessary to refer to the printed Customer Envelope Package supplied with each air conditioner.

IMPORTANT NOTICE

These instructions are for the use of qualified individuals specially trained and experienced in installation of this type equipment and related system components.

Installation and service personnel are required by some states to be licensed. **PERSONS NOT QUALIFIED SHALL NOT INSTALL NOR SERVICE THIS EQUIPMENT.**

NOTE

The words “Shall” or “Must” indicate a requirement which is essential to satisfactory and safe product performance.

The words “Should” or “May” indicate a recommendation or advice which is not essential and not required but which may be useful or helpful.

WARNING - SHOCK HAZARD

To prevent the possibility of severe personal injury or equipment damage due to electrical shock, always be sure the electrical power source to the appliance is disconnected.

CAREFULLY FOLLOW ALL INSTRUCTIONS AND WARNINGS IN THIS BOOKLET TO AVOID DAMAGE TO THE EQUIPMENT, PERSONAL INJURY OR FIRE.

WARNING

Improper installation may damage equipment, can create a hazard and will void the warranty.

The use of components not tested in accordance with these units will void the warranty, may make the equipment in violation of state codes, may create a hazard and may ruin the equipment.

I. GENERAL INFORMATION

OEM - Please make sure the Customer Envelope Package accompanies the air conditioner.

INSTALLER AND/OR DEALER - Please make sure the Customer Envelope Package is presented to the product consumer. The product consumer should also be afforded the opportunity to purchase the optional three (3) year parts replacement contract available from RV Products.

For more information about the contract, please review the sample contract located in the Operation and Maintenance Instructions Booklet (Customer Envelope Package). Use the card attached to the Customer Envelope Package to apply for the extended parts contract.

INQUIRIES ABOUT THE A/C UNIT - Inquiries to your RV Products representative or to RV Products pertaining to product installation should contain both the model and serial numbers of the roof top air conditioner. All roof top air conditioning units have model and serial number identification in two locations; (1) rating plate sticker may be viewed by looking through the shroud louvers on the compressor side of the roof top air conditioning unit. The rating plate sticker can be seen without removing the outer plastic shroud, (2) model/serial number sticker (silver color) is located on the bottom of the basepan of the roof top air conditioner. If the air conditioner is installed, the sticker may be viewed by lowering the ceiling assembly shroud.

II. AIR CONDITIONING SIZING

The ability of an air conditioner to provide a comfortable environment for the consumer is dependent upon the following conditions.

Air conditioners are rated primarily by their ability to remove heat. The thermal measurement used for detecting a gain or loss of heat is the British Thermal Unit (BTU). One (1) BTU is the amount of heat required to raise the temperature of one pound of water by one degree Fahrenheit. An air conditioner rated at 13,500 BTUH can remove 13,500 BTU's of heat in one hour.

The ability of an air conditioner to cool down a vehicle or maintain a consumer desired temperature is dependent upon the heat gain of the vehicle. The physical size, the amount of window area, the quality and amount of insulation, the position exposure to sunlight, the number of people using the vehicle and the outside temperature may increase the heat gain to such an extent that the capacity of the air conditioner is exceeded.

As a general rule, air supplied (discharge air) from the air conditioner will be 15 to 20 degrees cooler than the air entering (return air) the ceiling assemblies bottom air grilles.

For example, if the air entering the air conditioner is 80 Degree F (return air), the supply air (discharge air) into the vehicle will be 60 to 65 Degree F. As long as this temperature difference (15 to 20 Degrees) is being maintained at the air conditioner, the air conditioner is operating properly.

Again, give careful consideration to the vehicle heat gain variables. During extreme outdoor temperatures, the heat gain of the vehicle may be reduced by:

- ◆ parking the vehicle in a shaded area
- ◆ keeping windows and doors closed
- ◆ avoiding the use of heat producing appliances
- ◆ using window shades (blinds and/or curtains)

For a more permanent solution to high heat gain situations, additional vehicle insulation, window awnings and/or window glass tinting should be considered.

III. SELECTING AN INSTALLATION LOCATION

Your RV Products air conditioner has been designed for use primarily in recreational vehicles.

Is the roof of the vehicle capable of supporting both the roof top unit and ceiling assembly without additional support structures? Inspect the interior ceiling mounting area to avoid interference with existing structural members such as: bunks, curtains, tracks or room dividers. The depth of the ceiling assembly shroud is 3". Be sure to check clearance for doors which must be swung open (refrigerator, closets, cabinets).

Most of the time, roof mount air conditioners are installed at existing roof vent locations. If there are no roof vents (existing mounting hole), the following placement locations are recommended.

Motor Homes - a single unit or the forward of two units should be mounted within 9 feet of the drivers compartment.

Travel Trailers or Mini-Homes - a location should be selected that is near the door slightly forward of the vehicle center length.

Vans - location should be in the center of the roof (side to side - front to back).

Truck with Camper - location should be between 4 or 5 feet from the rear of the camper to achieve maximum cooling effect.

IV. INSTALLING THE ROOF TOP UNIT

DANGER SHOCK HAZARD

DISCONNECT ALL POWER TO THE VEHICLE BEFORE PERFORMING ANY CUTTING TO THE VEHICLE. CONTACT WITH HIGH VOLTAGE CAN RESULT IN EQUIPMENT DAMAGE, PERSONAL INJURY OR DEATH.

IMPORTANT

TO PREVENT DAMAGE TO THE WIRING AND BATTERY, DISCONNECT THE BATTERY CABLE FROM THE POSITIVE BATTERY TERMINAL BEFORE PERFORMING ANY CUTTING TO THE VEHICLE.

Once the location for your air conditioner has been determined (See Section III), a reinforced and framed roof hole opening must be provided (may use existing vent hole). Before cutting

into the vehicle roof, verify that the cutting action will clear all structural members and crossbeams. Additionally, the location of any inner roof plumbing and electrical supplies must be considered.

- A. If a roof vent is already present in the desired mounting location for the air conditioner, the following steps must be taken:
1. Remove all screws which secure the roof vent to the vehicle. Remove the vent and any additional trim materials. Carefully remove all caulking from around the roof vent opening to obtain clean exterior roof surface.
 2. It may be necessary to seal some of the old roof vent mounting screw holes which may fall outside of the air conditioner basepan gasket.
 3. Examine the roof opening. If the opening is smaller than 14" x 14", the opening must be enlarged. If the opening exceeds 15" x 15", a mounting frame must be field fabricated to reduce the opening size (See Figure 1).

B. If a roof vent opening is not used, a new opening (See Figure 1) will have to be cut into the vehicle roof. A matching opening will also have to be cut into the interior vehicle ceiling. Be careful when cutting the ceiling opening. If the ceiling opening is carpeted, snagging could occur. After the opening in the roof and interior ceiling are the correct size, a framed support structure must be provided between exterior roof top and interior ceiling. The reinforced framed structure must provide the following guidelines:

1. Capable of supporting both the weight of the roof top air conditioner and the interior ceiling assembly.
2. Capable of holding or supporting the roof outer surface and interior ceiling apart, so that when the roof top air conditioner and ceiling assembly are bolted together, no collapsing occurs.

RV Products 8000 series requires that the spacing from the vehicle roof top to the interior ceiling be no less than 1". A typical support frame is shown in Figure 1.

The frame must provide an opening to allow passage for the power supply wiring. Route the supply wiring through the frame at the same time the support frame is being installed.

IMPORTANT - Allow 24" of supply wiring through the support frame (working length).

After the support frame is installed, seal off **all gaps** between the frame and both the roof exterior and the interior ceiling of the vehicle (cavity walls). Additionally, seal the gap around the electrical supply wiring.

- C. This air conditioner is to be installed in accordance with NFPA Standard 501C.
- D. The roof top air conditioner must be mounted as near level from front to rear and side to side as is possible when the vehicle is parked on a level plane. Figures 2 and 3 show maximum allowable degree deviations (mounting degrees from total surface flat plane).

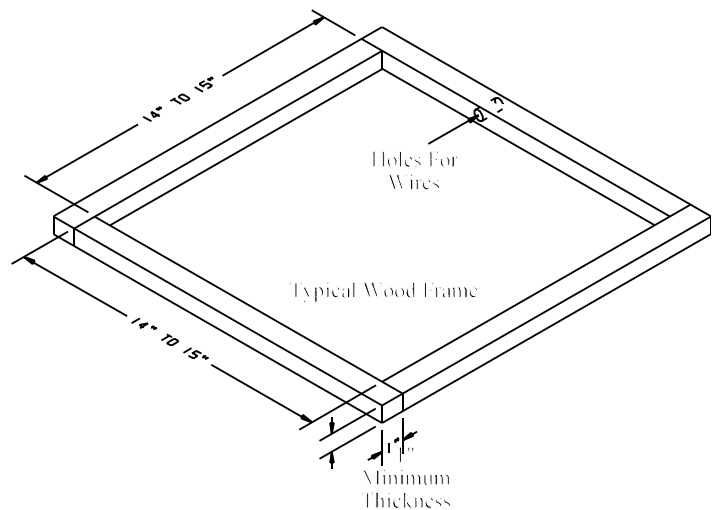


FIGURE 1

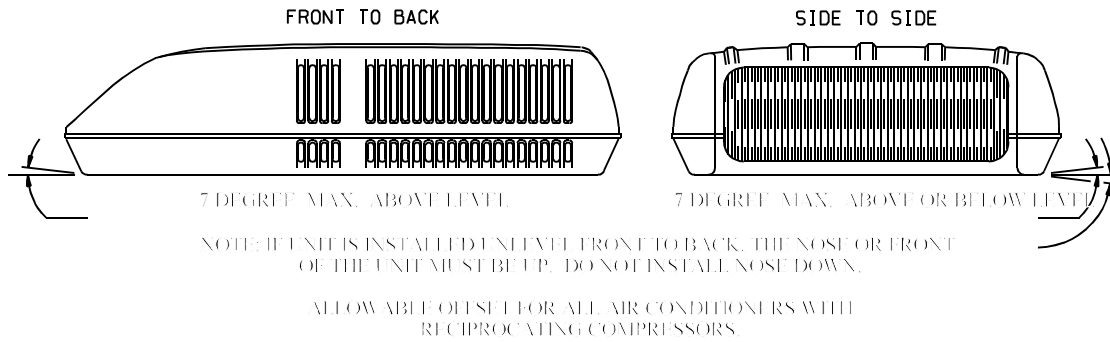


FIGURE 2

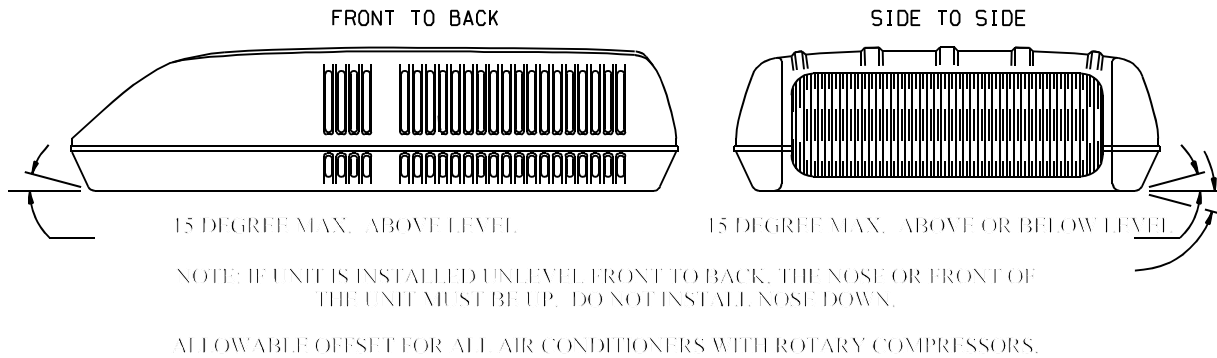


FIGURE 3

If the roof of the vehicle is sloped (not level) such that the roof top air conditioner cannot be mounted within the maximum allowable degree deviations, an exterior leveling shim will need to be added to make the roof top air conditioner level. A typical leveling shim is shown in Figure 4.

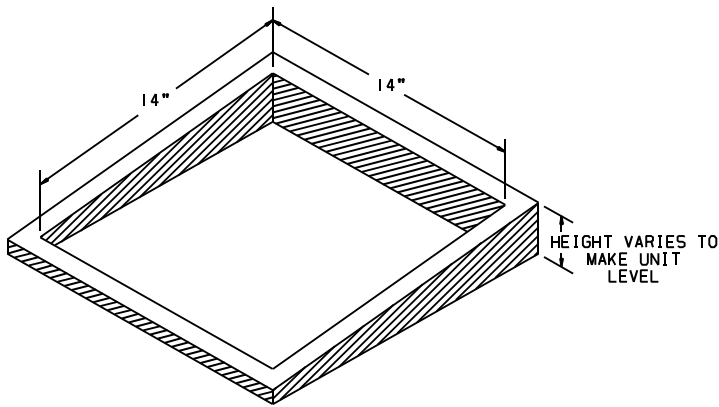


FIGURE 4

- E. After the mounting hole area is properly prepared, remove the carton and shipping pads from the roof top air conditioner. **Carefully** lift the unit to the top of the vehicle. **Do not use the outer plastic shroud for lifting.** Place the roof top air conditioner over the prepared mounting hole. The pointed end (nose) of the shroud must face towards the front of the vehicle. Pull the electrical conduit down from the roof air conditioner through the mounting opening and let hang.

V. SECURING THE AIR CONDITIONER TO THE ROOF

A mounting frame is supplied with the ceiling assembly. Follow the steps below to secure the air conditioner to the roof. Refer to Figure 5.

- A. Locate the air conditioner mount gasket over the 14" to 15" square opening in the roof.
- B. Install the ceiling assembly mount frame using the four bolts found with the ceiling assembly.

- C. Proper tension has been achieved for each bolt when any portion of each gasket indicating tab has been pulled down even with the roof. See Figure 5. The upper unit has now been properly installed with optimum gasket compression.

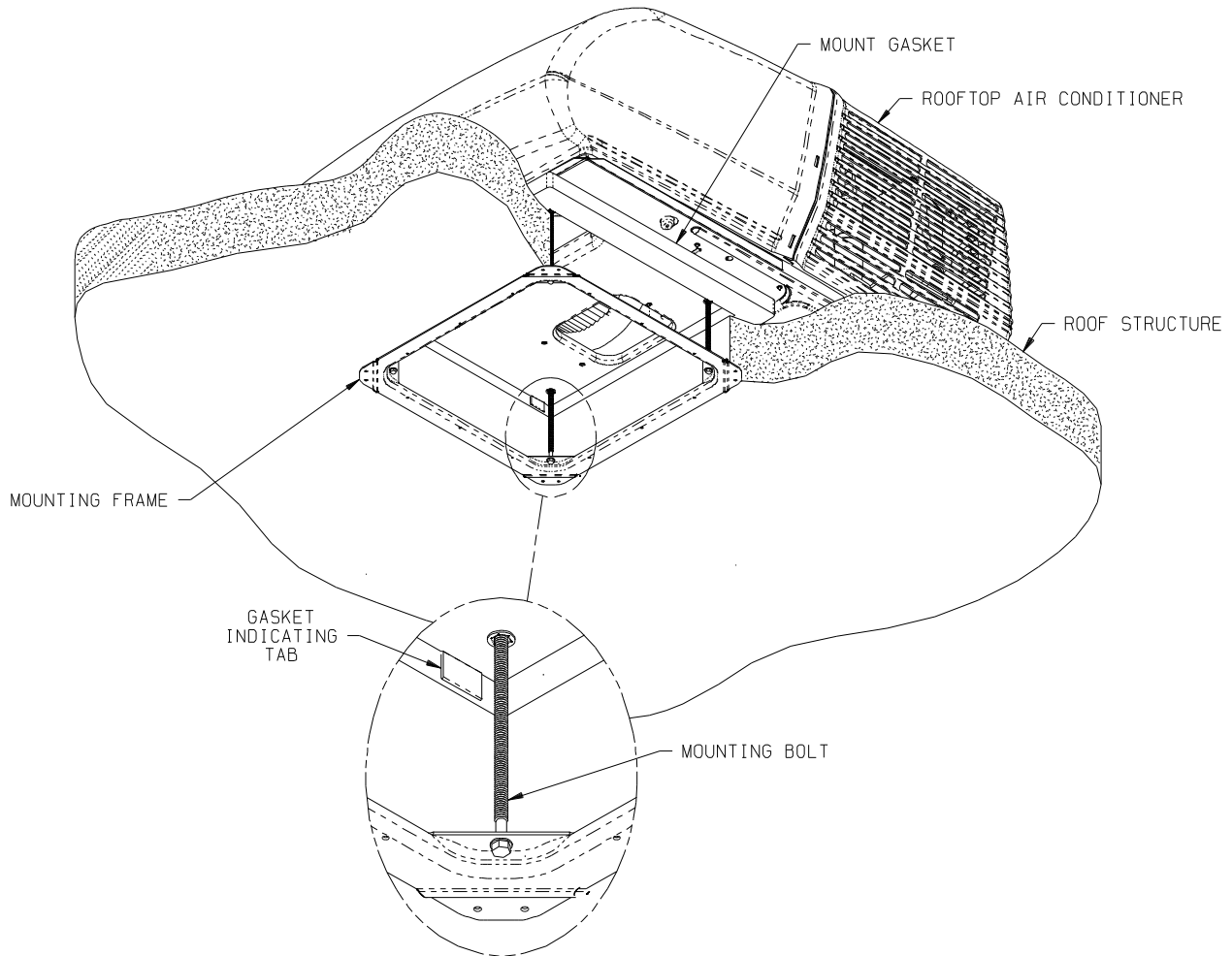


FIGURE 5

VI. ELECTRICAL WIRING

ROUTING 115 VAC WIRING

Following RV Products high voltage wiring specifications and all local and national electrical codes, route the roof top unit 115 VAC supply wiring from its power source to the wirebox.

High Voltage Wiring Specifications

1. U.L. requires copper conductors only with minimum #12 AWG.
2. To prevent voltage drops greater than 10% during starting loads, adhere to the following guideline:

For lengths greater than 50', use #10 AWG.
Circuit Protection - Refer to upper unit nameplate.

DANGER - SHOCK HAZARD

MAKE SURE THAT ALL POWER SUPPLY TO THE UNIT IS DISCONNECTED BEFORE PERFORMING ANY WORK ON THE UNIT TO AVOID THE POSSIBILITY OF SHOCK INJURY OR DAMAGE TO THE EQUIPMENT.

DANGER

WHEN USING NON-METALLIC SHEATH CABLES (ROMEX, ETC.), STRIP SHEATH BACK TO EXPOSE 4-6 INCHES OF THE SUPPLY LEADS. STRIP THE INDIVIDUAL WIRE LEAD ENDS FOR WIRE CONNECTION (ABOUT 3/4" BARE WIRE). INSERT THE SUPPLY WIRES INTO THE ELECTRICAL CONNECTOR CLAMP. SHEATH MUST PROTRUDE PAST THE CLAMP BUSHING INSIDE THE BOX AS ILLUSTRATED. MAKE SURE

SHEATH CABLE IS CENTERED IN CLAMP BEFORE TIGHTENING UP ON IT. DO NOT OVERTIGHTEN!!

THIS COULD RESULT IN PINCHING THROUGH THE PLASTIC WIRE INSULATION AND CAUSE SHORTING OR "HOT" WIRES TO GROUND (SHOCK HAZARD). THE CLAMP IS INTENDED FOR STRAIN RELIEF OF THE WIRES. SLIGHT PRESSURE IS USUALLY SUFFICIENT TO ACCOMPLISH THIS.

IF OTHER THAN NON-METALLIC CABLES ARE USED FOR SUPPLY CONDUCTORS, APPROPRIATE STRAIN RELIEF CONNECTORS OR CLAMPS SHOULD BE USED.

IN NO CASE SHOULD CLAMPING OR PINCHING ACTION BE APPLIED TO THE INDIVIDUAL SUPPLY LEADS (NEUTRAL AND "HOT" WIRES).

DANGER SHOCK HAZARD

TO PREVENT THE POSSIBILITY OF SHOCK INJURY, THE WHITE WIRE MUST BE CONNECTED TO NEUTRAL IN THE SERVICE BOX ENTRANCE AND THE MECHANICAL GROUND MUST BE CONNECTED TO A GROUNDING LUG EITHER IN THE SERVICE BOX OR THE MOTOR GENERATOR COMPARTMENT.

VII. INSTALLING THE CEILING ASSEMBLY (9000 SERIES)

NOTE

The optional Heater Accessory is intended to take the chill out of the indoor air when the air is a few degrees too cool for comfort. The Heater Accessory is an effective "chill chaser". **It is not a substitute for a furnace.**

Make sure that you have properly matched the roof top air conditioner and interior ceiling assembly. The following step by step instructions must be performed in the following sequence to insure proper installation.

- A. Carefully uncarton the ceiling assembly. Controls are factory installed in the ceiling assembly (except ceiling assemblies for applications with remote control box/thermostat).
- B. Remove the grille and filters from the ceiling assembly.
- C. STEP "C" APPLIES TO "HEAT READY" CEILING ASSEMBLIES ONLY AND CAN BE SKIPPED IF THE OPTIONAL 9233(X)4551 HEATER ACCESSORY PACKAGE IS NOT INSTALLED AT THIS TIME.

If the heater option is installed at this time, position the heater assembly in the air conditioner return air opening as shown in Figure 10. The heater bracket must be installed over the metal basepan extrusion and positioned between the basepan and the plastic drain pan (See Figure 11). Tighten set screw to secure the assembly so as to prevent movement.

Plug the heater cord into the 2 position receptacle (See Figure 12).

TIE ALL WIRING TO INSURE NO CONTACT WITH THE HEATER OR ANY SHARP EDGES. KEEP IN MIND THAT HIGH VELOCITY AIR WILL BE ENCOUNTERED IN THIS AREA.

- D. Fasten the duct collar to the basepan of the air conditioner with three (3) screws (See Figure 14).
- E. Plug the roof top air conditioner electrical conduit into the 9 position receptacle located in the thermostat side of the ceiling assembly.
- F. Insert the supply wiring through the cable clamp and into the field wiring box so that 4 - 6" of supply conductor is inside the box. Secure the cable clamp over the supply wire sheath so that no movement is possible (See Figure 13).
- G. Connect the supply power conductors to the black and white pigtail wires and the supply ground wire to the green pigtail wire found in the field wiring box using the 3 provided wire nuts. **IMPORTANT -** Connect the black supply to the black pigtail and the white supply to the white pigtail. Using a U.L. approved electrical tape, secure the wire nuts to wires in a workmanlike manner (See Figure 13).
- H. Place the metal control box shield over the thermostat, switch and field wiring boxes. Make certain that all wires are pushed into the control boxes or laying in the wireway between the thermostat and switch boxes and will not be pinched by the control box shield. Control box shield is properly installed when the two holes in the shield are aligned with the two screw holes in the ceiling assembly chute (See Figure 12).
- I. Raise the ceiling assembly and secure to the mounting frame with 4 provided shoulder screw/spring assemblies. The front two screws should pass through the clearance holes in the metal control box shield (See Figure 14).
- J. The ceiling assembly shroud is curved to contour to a crowned ceiling. If installation is to a flat ceiling and gaps are present on the sides of the shroud. Insert the four optional 3/4 inch screws (provided) through the mounting posts and secure them to the mounting

frame above (See Figure 12, 13 & 14 for screw locations).

- K. Pull the fabric duct material through ceiling assembly discharge opening. Peel the release liner from the adhesive strip around the discharge opening. Press the fabric duct material firmly in place around opening. Cut off excess fabric on inside of ceiling assembly chute with a box knife taking care not to tear the fabric beyond the adhesive strip.

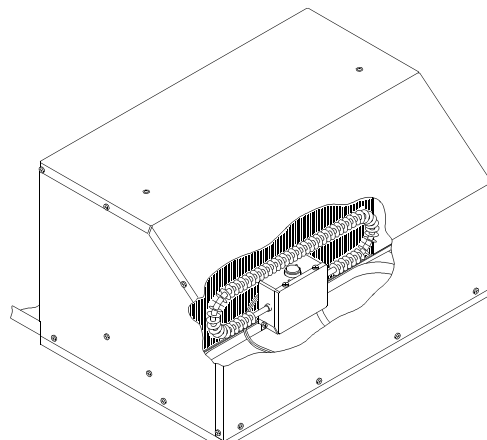


FIGURE 10

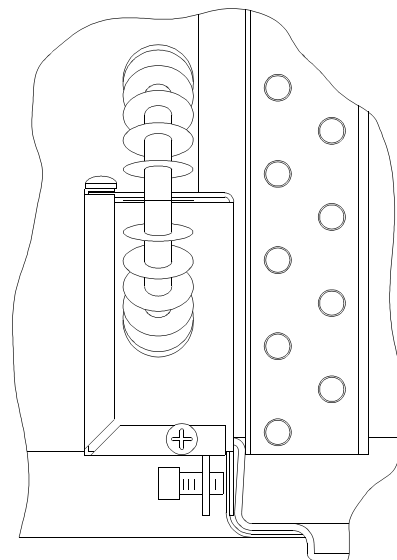


FIGURE 11

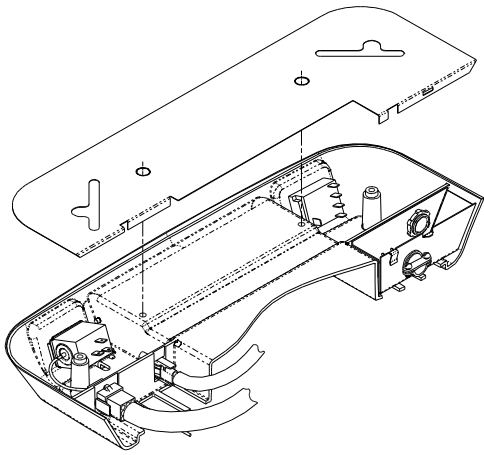


FIGURE 12

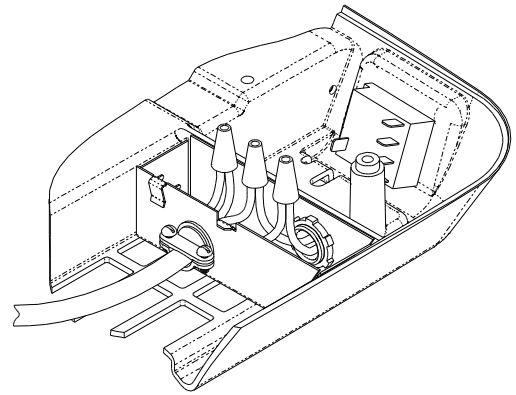


FIGURE 13

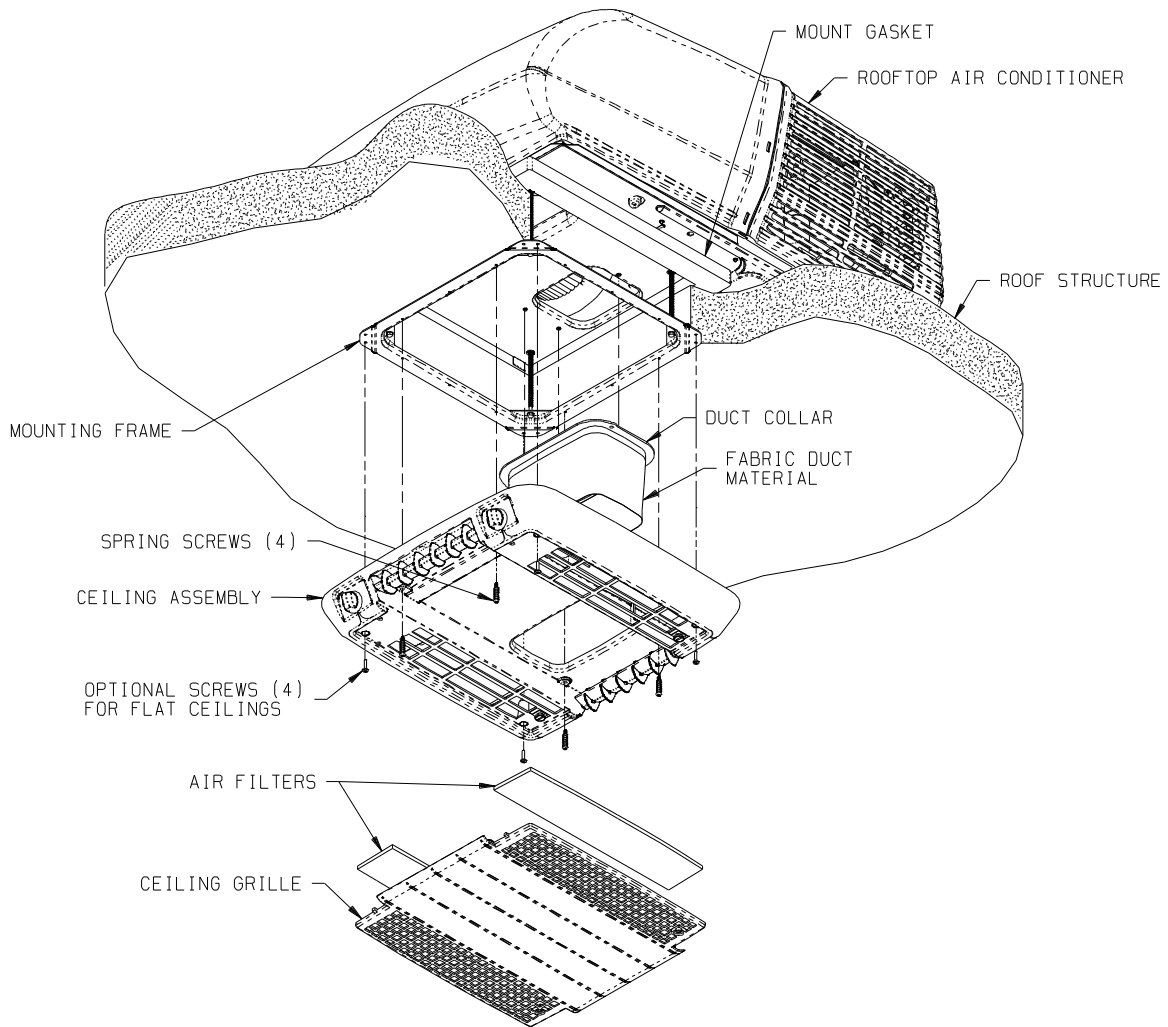


FIGURE 14

VIII. COMPLETING THE INSTALLATION (9000 SERIES)

- A. Make sure the non-allergenic filters are properly positioned in the ceiling grille.
- B. Install the ceiling grille by positioning on the bottom of the shroud and engaging the two 1/4 turn fasteners.
- C. Turn the selector switch to OFF position.
- D. Turn ON the power supply to the roof top air conditioner.
- E. System Checkout - RV Products manufactures a wide range of roof top air conditioners which incorporate different product operation features. To properly evaluate the performance of a newly installed air conditioner, it is necessary to review the specific unit operation characteristics (features) described in product operation and maintenance instructions (Customer Envelope Package).

TABLE DES MATIÈRES

I.	Renseignements généraux	11
II.	Configuration du climatiseur	11
III.	Choix d'un emplacement pour l'installation	11
IV.	Installation de l'appareil sur le toit	12
V.	Fixer le climatiseur au toit	13
VI.	Câblage électrique	13
VII.	Installation du montage de plafond (série 9000)	14
VIII.	Fin de l'installation (série 9000)	15

Ces instructions sont un guide général d'installation des climatiseurs de toit de la série 8000 de RV Products. Pour des détails précis sur les climatiseurs, vous devrez vous reporter à la pochette de documentation fournie avec chaque climatiseur.

NOTICE IMPORTANTE

Ces instructions doivent être utilisées par des personnes qualifiées spécialement formées et connaissant les procédures d'installation de ce type d'équipement et des composants du système connexe.

Certains États exigent que le personnel responsable de l'installation et de l'entretien ou de la réparation soit autorisé. **LES PERSONNES NON QUALIFIÉES NE DOIVENT PAS INSTALLER NI FAIRE L'ENTRETIEN OU LA RÉPARATION DE CET ÉQUIPEMENT.**

REMARQUE

Le terme « doit » ou « doivent » indique une exigence essentielle pour une performance satisfaisante et sans danger du produit.

Le terme « devrait » ou « devraient » indique une recommandation ou un conseil qui n'est pas essentiel ni requis, mais qui pourrait être utile.

AVERTISSEMENT - DANGER DE CHOC ÉLECTRIQUE

Pour éviter toute possibilité de blessures graves ou de dommages à l'équipement suite à un choc électrique, assurez-vous de toujours mettre l'appareil hors tension.

SUIVEZ ATTENTIVEMENT TOUTES LES INSTRUCTIONS ET TOUS LES AVERTISSEMENTS DANS CE LIVRET POUR ÉVITER D'ENDOMMAGER L'ÉQUIPEMENT, DE PROVOQUER DES BLESSURES OU DES INCENDIES.

AVERTISSEMENT

Une mauvaise installation peut endommager l'équipement, créer des dangers et annuler la garantie.

Le fait d'utiliser des composants non testés conformément à ces appareils annule la garantie, peut rendre l'équipement non conforme aux codes d'état, créer un danger et détruire l'équipement.

I. RENSEIGNEMENTS GÉNÉRAUX

OEM (Fabricant d'équipement d'origine) - Veuillez vous assurer que la pochette de documentation accompagne le climatiseur.

INSTALLATEUR ET/OU CONCESSIONNAIRE - Veuillez vous assurer que le client reçoive la pochette de documentation. Il devrait aussi avoir la possibilité d'acheter le contrat de trois (3) ans de pièces de rechange de RV Products.

Pour plus d'information au sujet du contrat, veuillez consulter le contrat type qui se trouve dans le livret de mode d'emploi et d'entretien (pochette de documentation). Utilisez la carte fixée à la pochette de documentation pour faire la demande de contrat de pièces prolongé.

QUESTIONS SUR LE CLIMATISEUR - Pour toutes questions au sujet de l'installation du produit adressées à votre représentant RV Products ou à RV Products, veuillez indiquer les numéros de modèle et de série du climatiseur de toit. Tous ces climatiseurs sont identifiés par des numéros de série et de modèle qui se trouvent à deux endroits : (1) étiquette signalétique que vous pouvez voir dans les persiennes de carénage du côté compresseur du climatiseur de toit. Vous pouvez la voir sans retirer le carénage extérieur de plastique, (2) l'étiquette au numéro de série / modèle (de couleur argent) se trouve au bas du plateau du climatiseur de toit. Si le climatiseur est installé, vous pouvez voir l'étiquette en abaissant le carénage du plafond.

II. CONFIGURATION DU CLIMATISEUR

La capacité du climatiseur de fournir au client un environnement confortable dépend des conditions suivantes.

Les capacités nominales des climatiseurs sont établies selon leur capacité de retirer la chaleur. La mesure thermique utilisée pour détecter un gain ou une perte de chaleur est la British Thermal Unit (BTU). Une (1) BTU est la quantité de chaleur requise pour augmenter la température d'une livre d'eau d'un degré Fahrenheit. Un climatiseur d'une capacité nominale de 13 500 BTUH peut retirer 13 500 BTU de chaleur en une heure.

La capacité de refroidissement d'un véhicule ou de maintien de la température choisie par le client grâce au climatiseur dépend du gain de chaleur du véhicule. La taille physique, la superficie des fenêtres, la qualité et la quantité d'isolation, l'exposition au soleil, le nombre de personnes utilisant le véhicule ainsi que la température extérieure peuvent augmenter le gain de chaleur à tel point que la capacité du climatiseur est dépassée.

En règle général, l'air fourni (air de décharge) par le climatiseur sera de 15 à 20 degrés plus frais que l'air qui entre (air recyclé) par les grilles à air inférieures de l'assemblage du plafond.

Par exemple, si l'air qui entre dans le climatiseur (l'air recyclé) est de 80 degrés Fahrenheit (27 degrés Celsius) l'air d'alimentation (air de décharge) dans le véhicule sera de 60 à 65 degrés Fahrenheit (15 à 18 degrés Celsius). Aussi longtemps que cette différence de température (15 à 20 degrés) est maintenue au climatiseur, le climatiseur fonctionne correctement.

Attention à nouveau aux gains variables de chaleur du véhicule. Lorsque les températures extérieures sont extrêmes, le gain de chaleur du véhicule peut être réduit en:

- ◆ stationnant la voiture à l'ombre
- ◆ gardant les fenêtres et les portes fermées
- ◆ évitant d'utiliser des appareils produisant de la chaleur
- ◆ utilisant des toiles pour les fenêtres (stores et / ou rideaux)

Pour une solution plus permanente des situations de gain prononcé, de chaleur, il faudrait considérer de l'isolant de véhicule, des auvents de fenêtres et / ou le teintage du verre des fenêtres.

III. CHOIX D'UN EMPLACEMENT POUR L'INSTALLATION

Votre climatiseur RV Products a été conçu pour être utilisé avec les véhicules récréatifs.

Le toit du véhicule peut-il supporter à la fois l'appareil sur le toit et le montage de plafond sans structures de support additionnelles ? Vérifiez le secteur de montage de plafond à l'intérieur du véhicule pour éviter toute interférence avec les structures actuelles telles que couchettes, rideaux, rails ou séparateurs de pièces. La profondeur du carénage de plafond est de 3 po (7,62 cm). Assurez-vous de vérifier le dégagement

des portes que vous devez ouvrir (réfrigérateur, garde-robe, armoires).

La plupart du temps, les climatiseurs de toit sont installés sur les événements de toit actuels. S'il n'y a pas d'événements de toit (ouvertures d'installation déjà en place), voici les emplacements recommandés :

Autocaravanes - un seul appareil ou l'avant de deux appareils devrait être monté jusqu'à 9 pieds (2,74 mètres) du poste de conduite.

Caravanes classiques ou mini-maisons - il faudrait choisir un emplacement près de la portière, un peu vers l'avant du centre de la longueur du véhicule.

Fourgonnettes - l'emplacement devrait être au centre du toit (d'un côté à l'autre - d'avant en arrière).

Camion avec caisse de camping - l'emplacement devrait être entre 4 et 5 pieds (1,2 et 1,5 mètres) de l'arrière de la caisse de camping pour obtenir un refroidissement maximum.

IV. INSTALLATION DE L'APPAREIL SUR LE TOIT

DANGER CHOC ÉLECTRIQUE

COUPEZ TOUT COURANT AU VÉHICULE AVANT TOUT TRAVAIL DE COUPE AU VÉHICULE. LE CONTACT AVEC UNE HAUTE TENSION PEUT ENDOMMAGER L'ÉQUIPEMENT, PROVOQUER DES BLESSURES ET MÊME LA MORT.

IMPORTANT

POUR ÉVITER TOUT DOMMAGE AU CÂBLAGE ET À LA BATTERIE, DÉBRANCHEZ LE CÂBLE DE LA BATTERIE DE LA BORNE POSITIVE DE LA BATTERIE AVANT D'EFFECTUER TOUT TRAVAIL DE COUPE AU VÉHICULE.

Après avoir déterminé l'emplacement de votre climatiseur (voir section III), vous devez fournir une ouverture sur le toit renforcée et encadrée (vous pouvez utiliser l'ouverture d'évent déjà en place). Avant de couper le toit du véhicule, vérifiez que l'appareil dégagera tous les éléments de structure et les entretoises. Vous devez aussi considérer l'emplacement de toute alimentation électrique et plomberie à l'intérieur du toit.

A. S'il y a déjà un événement de toit à l'endroit choisi pour l'installation du climatiseur, voici les étapes à suivre :

1. Retirez toutes les vis qui fixent l'évent au toit du véhicule. Retirez ensuite l'évent et toute garniture supplémentaire. Retirez avec soin tout calfeutrage autour de l'ouverture de l'évent pour avoir une surface extérieure propre.
2. Vous devrez peut-être sceller certains des trous de vis d'installation de l'ancien événement sur le toit qui pourraient être à l'extérieur du joint d'étanchéité du plateau du climatiseur.
3. Examinez l'ouverture sur le toit. Si elle est moins que 14 x 14 po (35,56 x 35,56 cm) vous devez l'agrandir. Si l'ouverture dépasse 15 x 15 po (38,1 x 38,1 cm), vous devez fabriquer sur le terrain un cadre d'installation pour réduire la taille de l'ouverture (voir la figure 1).

B. Si vous n'utilisez pas l'ouverture d'évent du toit, il faudra couper une nouvelle ouverture (voir figure 1) dans le toit du véhicule. Il faudra aussi couper une ouverture semblable à l'intérieur du plafond du véhicule. Attention en coupant l'ouverture du plafond. Si cette ouverture est recouverte de tapis, il pourrait y avoir des accrocs. Après avoir une ouverture à la bonne taille pour le toit et le plafond intérieur, prévoyez une structure de support encadrée entre le dessus du toit extérieur et le plafond intérieur. La structure encadrée renforcée doit respecter les directives suivantes :

1. Elle doit pouvoir supporter à la fois le poids du climatiseur de toit et le montage de plafond intérieur.
2. Elle doit pouvoir retenir ou supporter la surface extérieure du toit et la plafond intérieur avec une séparation pour qu'après avoir boulonné ensemble le climatiseur et le montage de plafond, il n'y ait aucun effondrement..

La série 8000 de RV Products exige que l'espace du dessus du toit du véhicule au plafond intérieur ne soit pas de moins de 1 po (2,54 cm). La figure 1 illustre un cadre de support typique.

Le cadre doit fournir une ouverture pour acheminer le câblage d'alimentation. Faites passer le câblage d'alimentation par le cadre lors de l'installation du cadre de support.

IMPORTANT - Prévoyez un câblage de 24 po (60,96 cm) par le cadre de support (longueur active).

Après avoir installé le cadre, scellez tous les écarts entre le cadre et l'extérieur du toit ainsi que le plafond intérieur du véhicule (parois de la cavité). Scellez aussi l'écart autour du câblage électrique d'alimentation.

C. Le climatiseur doit être installé conformément à la norme 501C de la NFPA (National Fire Protection Association).

D. Le climatiseur de toit doit être monté aussi à niveau que possible, d'avant en arrière et d'un côté à l'autre, lorsque le véhicule est stationné sur une surface plane. Les figures 2 et 3 illustrent les déviations maximales permises (degrés de montage de la surface plane de la surface totale).

Si le toit du véhicule est en pente (pas à niveau) ne permettant pas d'installer le climatiseur de toit avec les déviations maximales permises, vous devrez ajouter une cale de mise à niveau pour que le climatiseur de toit soit à niveau. La figure 4 présente une cale de mise à niveau typique.

E. Après avoir préparé correctement la région de l'ouverture d'installation, retirez le carton et les blocs d'expédition du climatiseur de toit. Soulevez délicatement l'appareil sur le dessus du véhicule. **N'utilisez pas le carénage extérieur de plastique pour soulever.** Placez l'appareil sur l'ouverture d'installation. L'extrémité pointue (nez) du carénage doit faire face à l'avant du véhicule. Tirez la conduite électrique vers le bas du climatiseur de toit par l'ouverture d'installation et laissez-la pendre.

V. FIXER LE CLIMATISEUR AU TOIT

Un cadre d'installation est fourni avec le montage de plafond. Suivez les étapes ci-après pour fixer le climatiseur au toit. Reportez-vous à la figure 5.

- A. Placez le joint plat du climatiseur sur l'ouverture carrée de 14 ou 15 po (35,56 ou 38,1 cm) du toit.
- B. Installez le cadre d'installation du montage de plafond en utilisant les quatre boulons qui se trouvent avec le montage le plafond.

C. Les boulons sont bien installés lorsque chaque patte indicatrice du joint se trouve à niveau avec le toit. Reportez-vous à la figure 5. L'appareil supérieur est maintenant installé correctement avec une compression de joint optimale.

VI. CÂBLAGE ÉLECTRIQUE

ACHEMINEMENT DU CÂBLAGE DE 115 V.C.A.

Acheminez le câblage d'alimentation de 115 V.c.a. de sa source de courant à la boîte de connexion en respectant tous les codes d'électricité nationaux et locaux ainsi que les spécifications de câblage haute tension de RV Products.

Spécifications de câblage haute tension

1. U.L. exige d'utiliser seulement des conducteurs de cuivre avec une grosseur minimum de 12 AWG.
2. Pour éviter les chutes de tension dépassant 10% durant les charges de démarrage, respectez les directives suivantes :

Pour les longueurs dépassant 50 pieds (15,24 m), utilisez une grosseur de 10 AWG.
Protection de circuit - reportez-vous à la plaque signalétique du produit supérieur.

DANGER - RISQUE DE CHOC

ASSUREZ-VOUS DE COUPER LE COURANT À L'APPAREIL AVANT D'EFFECTUER TOUT TRAVAIL SUR LE CLIMATISEUR POUR ÉVITER LA POSSIBILITÉ DE CHOCS OU DE DOMMAGES À L'ÉQUIPEMENT.

DANGER

EN UTILISANT DES CÂBLES À GAINÉ NON-MÉTALLIQUE (ROMEX, ETC.), DÉNUDEZ LA GAINÉ POUR EXPOSER DE 4 À 6 POUÇES (10,16 À 15,24 CM) DES FILS D'ALIMENTATION. DÉNUDEZ LES EXTRÉMITÉS DES FILS CONDUCTEURS INDIVIDUELS POUR LE RACCORD DE FILS (ENVIRON 3/4 PO [1,91 CM] DE FIL NU). INSÉREZ LES FILS D'ALIMENTATION DANS LA PINCE DU CONNECTEUR ÉLECTRIQUE. LA GAINÉ DOIT RESSORTIR DE LA GARNITURE DE LA PINCE À L'INTÉRIEUR DE LA BOÎTE TEL QU'ILLUSTRÉ. ASSUREZ-VOUS QUE LE CÂBLE GAINÉ EST CENTRÉ DANS LA PINCE AVANT DE RESSERRER. NE RESSERREZ PAS TROP!!

CECI POURRAIT MENER À DES PINCEMENTS DANS L'ISOLANT DU FIL DE PLASTIQUE ET PROVOQUER DES COURTS-CIRCUITS OU DES FILS « CHARGÉS » À LA MASSE. (RISQUE DE CHOC). LA PINCE EST EN PLACE COMME RÉDUCTEUR DE TENSION DES FILS. POUR CE FAIRE, IL SUFFIT

**NORMALEMENT D'UNE LÉGÈRE
PRESSION.**

**SI VOUS UTILISEZ DES CÂBLES AUTRES
QUE LES CÂBLES NON-MÉTALLIQUES
COMME CONDUCTEURS
D'ALIMENTATION, VOUS DEVEZ
UTILISER LES PINCES OU
CONNECTEURS DE RÉDUCTION DE
TENSION APPROPRIÉS.**

**VOUS NE DEVEZ, EN AUCUN CAS,
PINCER OU RESSERRER LES FILS
D'ALIMENTATION INDIVIDUELS
(FILS « CHARGÉS » ET NEUTRES).**

**DANGER
DANGER DE CHOC ÉLECTRIQUE**

**POUR ÉVITER LA POSSIBILITÉ DE
BLESSURES SUITE À DES CHOCS
ÉLECTRIQUES, LE FIL BLANC DOIT
ÊTRE CONNECTÉ AU NEUTRE
À L'ENTRÉE DU COFFRET DE
BRANCHEMENT ET LA MASSE
MÉCANIQUE CONNECTÉE À UNE COSSE
DE MASSE SOIT DANS LE COFFRET
DE BRANCHEMENT OU DANS LE
COMPARTIMENT DU MOTEUR-
GÉNÉRATEUR.**

VII. INSTALLATION DU MONTAGE DE PLAFOND (SÉRIE 9000)

REMARQUE

L'accessoire de radiateur électrique (optionnel) a pour but d'enlever l'air froid intérieur lorsque l'air ambiant est un peu trop frais pour être confortable. L'accessoire de radiateur est un moyen efficace de se débarrasser des « frissons ». **Il ne peut cependant pas remplacer un appareil de chauffage.**

Assurez-vous d'avoir bien jumelé le climatiseur de toit et le montage de plafond intérieur. Voici les instructions, étape par étape, à suivre pour assurer une bonne installation en séquence de l'appareil.

- A. Déballer avec soin le montage de plafond. Les commandes sont installées en usine dans le montage de plafond (sauf les montages pour les applications avec thermostat ou télécommande).
- B. Retirez la grille et les filtres du montage de plafond.
- C. L'ÉTAPE « C » NE S'APPLIQUE UNIQUEMENT QU'AUX MONTAGES DE PLAFOND « PRÊT POUR LA CHALEUR » (« HEAT READY ») ET PEUT ÊTRE IGNORÉE SI L'ENSEMBLE ACCESSOIRE DE RADIATEUR OPTIONNEL 9233(X)4551 N'EST PAS ENCORE INSTALLÉ.

Si l'option de radiateur est installée à cette étape, placez le montage de l'appareil de chauffage dans l'ouverture de l'air de reprise du climatiseur comme indiqué à la figure 9. La fixation de l'appareil de chauffage doit être installée sur l'extrusion du plateau de métal et placée entre le plateau et le plateau de vidange de plastique (voir la figure 10). Resserrer la vis de retenue pour fixer le montage de manière à éviter tout déplacement.

Branchez le cordon de l'appareil de chauffage dans la prise à 2 positions (voir figure 11).

ATTACHEZ TOUS LES FILS POUR VOUS ASSURER QU'IL N'Y AIT AUCUN CONTACT AVEC L'APPAREIL DE CHAUFFAGE OU TOUT BORD TRANCHANT. N'OUBLIEZ PAS QU'IL Y AURA DE L'AIR À HAUTE VITESSE À CET ENDROIT.

- D. Fixez le collet de conduit au plateau du climatiseur avec trois (3) vis (voir figure 14).
- E. Branchez le conduit électrique du climatiseur de toit dans la prise à 9 positions qui se trouve du côté du thermostat du montage de plafond.
- F. Insérez le fil d'alimentation dans la pince de câble et dans la boîte de connexion à effectuer sur place pour que le conducteur de 4 à 6 po (10 à 15 cm) soit à l'intérieur de la boîte. Fixez la pince sur la gaine du fil pour qu'aucun déplacement ne soit possible (voir figure 13).
- G. Connectez les conducteurs d'alimentation de courant aux fils en tire-bouchon blanc et noir et le fil de masse au fil en tire-bouchon vert qui se trouve dans la boîte de connexion à effectuer sur le terrain en utilisant les 3 écrous de câble fournis. **IMPORTANT** - Connectez l'alimentation noire au tire-bouchon noir et l'alimentation blanche au tire-bouchon blanc. Utilisez un ruban d'électricité approuvé U.L., fixez les écrous de câble aux fils selon les règles du métier (voir la figure 13).
- H. Placez l'écran de la boîte de commande métallique sur les boîtes de connexion à effectuer sur le terrain, le sélecteur et le thermostat. Assurez-vous que tous les fils sont poussés dans les boîtes de commande ou qu'ils reposent dans la goulotte de fils entre les boîtiers d'interrupteur et de thermostat et qu'ils ne

seront pas pincés par l'écran de la boîte des commandes. Cet écran est bien installé lorsque les deux trous de l'écran sont alignés avec les trous des deux vis dans le guide du montage de plafond (voir figure 12).

- I. Soulevez l'assemblage du plafond et fixez au cadre de montage avec les 4 ensembles de ressorts/vis à épaulement fournis. Les deux vis avant devraient passer dans les trous de dégagement de l'écran protecteur de la boîte de commande en métal (voir la figure 15).
- J. L'épaulement du montage de plafond est courbé pour faire le contour d'un plafond bombé. Si l'installation

se fait sur un plafond plat et s'il y a des écarts sur les côtés de l'épaulement, insérez les quatre vis optionnelles de 3/4 de pouce (1,9 cm) (fournies) à travers les montants et fixez-les au cadre de montage situé au-dessus (voir figures 12, 13 et 14 pour l'emplacement des vis).

- K. Tirez le tissu du conduit par l'ouverture de la décharge du montage de plafond. Retirez la doublure de dégagement de la bande adhésive autour de l'ouverture de décharge. Pressez fermement le tissu en place autour de l'ouverture. Coupez le surplus de tissu à l'intérieur du guide du montage de plafond avec un couteau en vous assurant de ne pas déchirer le tissu au-delà de la bande adhésive.

VIII. FIN DE L'INSTALLATION (SÉRIE 9000)

- A. Assurez-vous que les filtres non allergènes sont bien installés dans la grille du plafond.
- B. Installez la grille du plafond en la plaçant au bas du carénage et en fermant les deux attaches de 1/4 de tour.
- C. Placez le sélecteur à la position OFF (arrêt).
- D. Mettez le climatiseur de toit en marche.
- E. Vérification du système - RV Products fabrique une vaste gamme de climatiseurs de toit qui incorpore différentes fonctions d'exploitation du produit. Pour évaluer correctement la performance d'un climatiseur que vous venez d'installer, il faut revoir les caractéristiques de fonctionnement (fonctions) de l'appareil précis décrites dans les instructions de fonctionnement et d'entretien du produit (pochette de documentation).



RV Products
A Division of Airxcel, Inc.
P.O. Box 4020
Wichita, KS 67204