



Illustrated Parts List

Model Series

125K00

TYPE NUMBERS
0005 through 3711.

TABLE OF CONTENTS

Alternator	4
Air Cleaner	4
Blower Housing/Shrouds	5
Camshaft	2
Carburetor	3
Controls	4
Crankshaft	2
Cylinder	2
Electric Starter	6
Electrical	4
Engine Sump	2
Exhaust System	4
Flywheel	6
Flywheel Brake	4
Fuel Supply	3
Governor Spring	4
Ignition	4
Kits/Gaskets	2 & 3
Lubrication	2
Piston Group	2
Rewind Starter	6
Valves	2

Not for reproduction



PRINTED IN U.S.A.

COPYRIGHT by BRIGGS & STRATTON CORPORATION
All rights reserved. No part of this material may be reproduced or transmitted, in any form or by any means, electronic or mechanical, including photocopying, recording or by any information storage and retrieval system, without permission in writing from Briggs & Stratton Corporation.

125K00

1319 WARNING LABEL



REQUIRED when replacing parts with warning labels affixed.

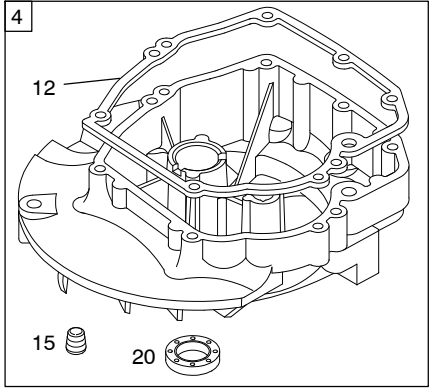
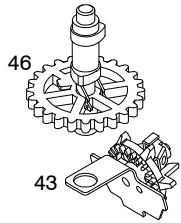
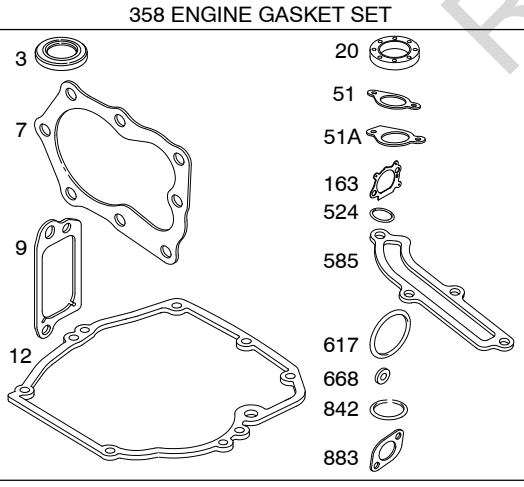
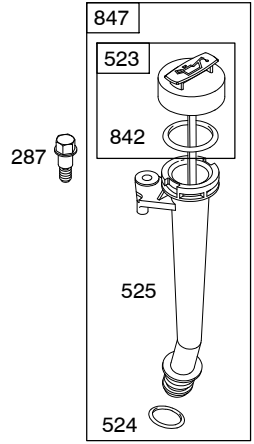
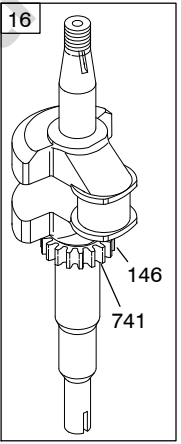
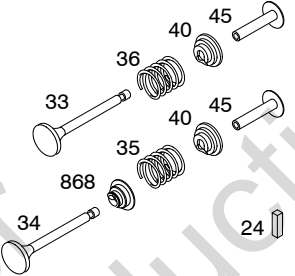
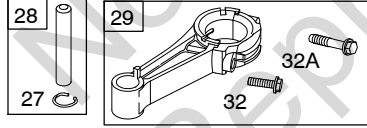
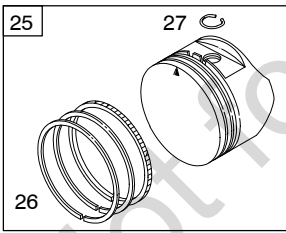
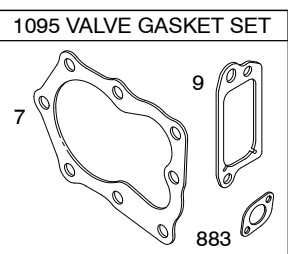
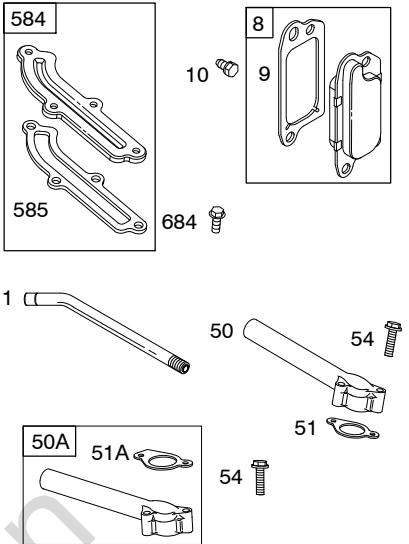
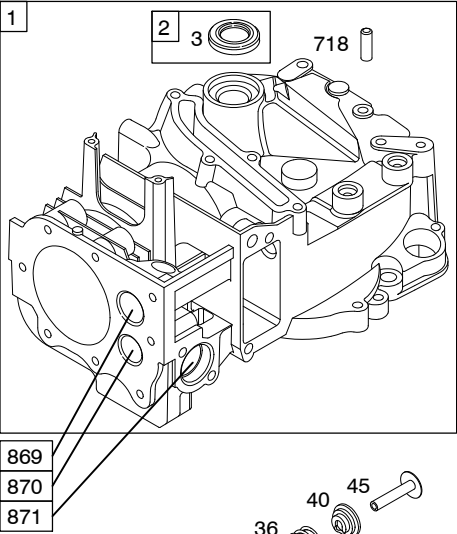
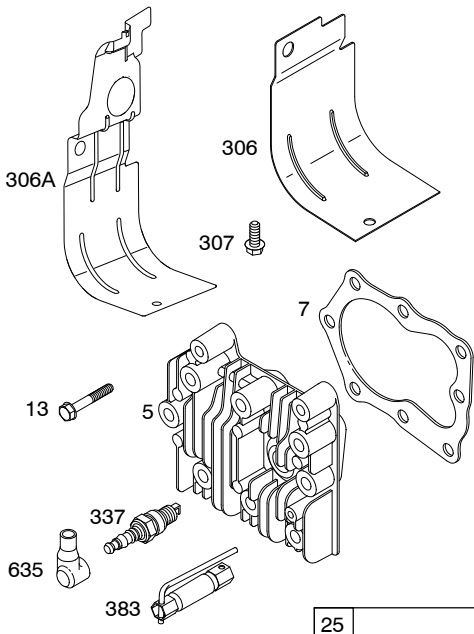
1058 OPERATOR'S MANUAL



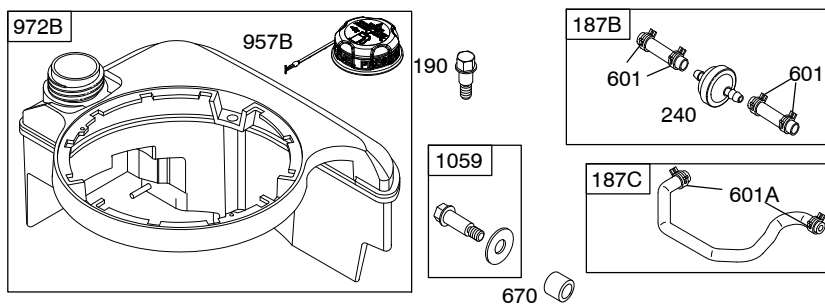
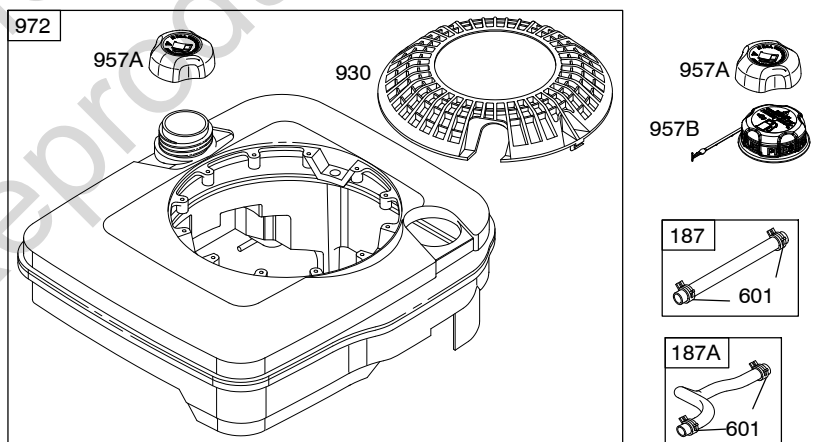
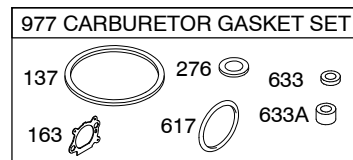
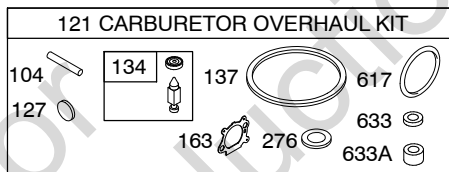
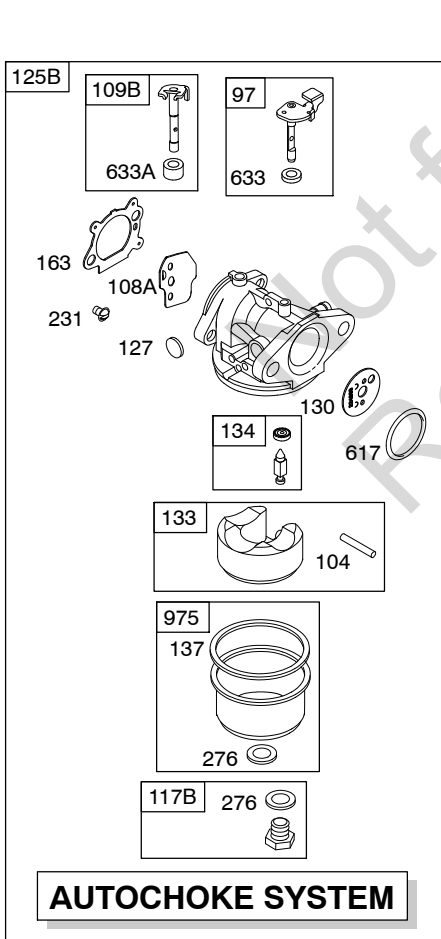
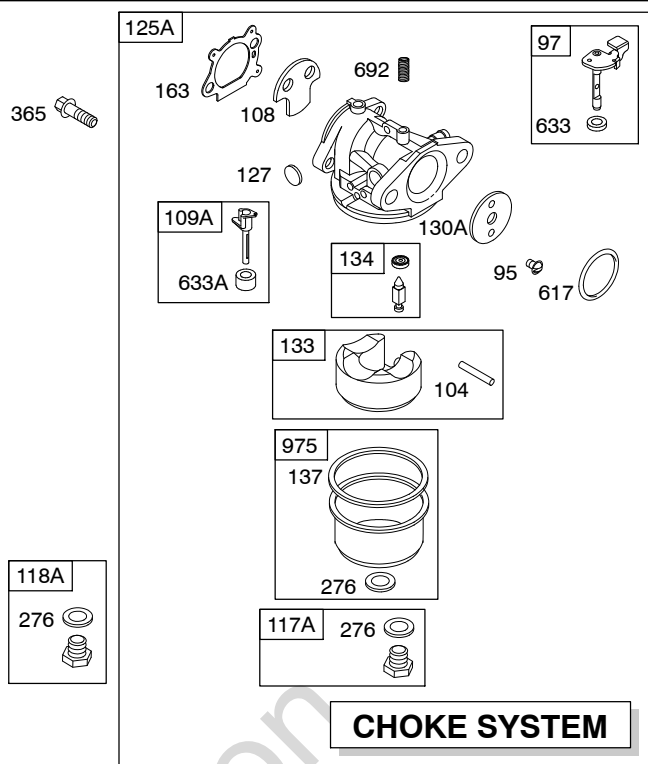
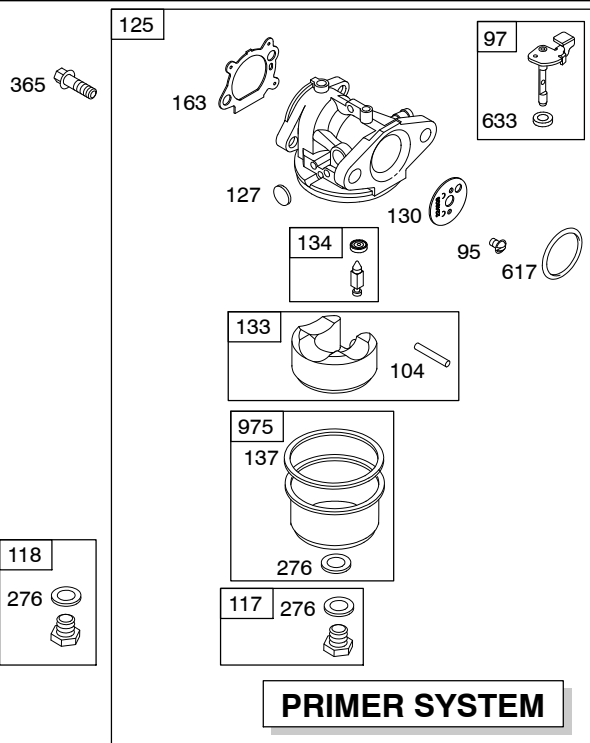
1330 REPAIR MANUAL



1019 LABEL KIT

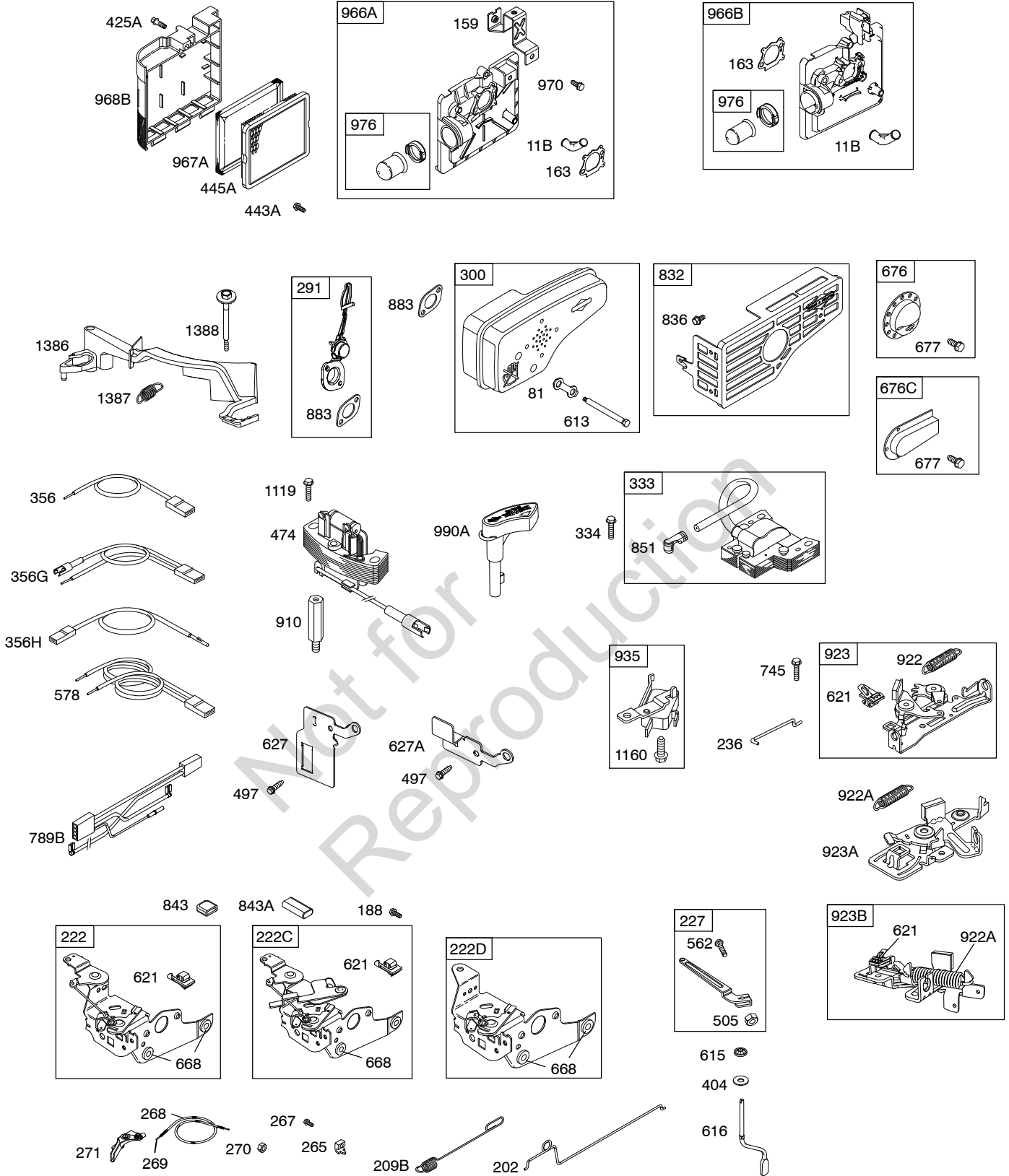


Illustrations cover a range of engines. Parts shown without corresponding text may not be used on your specific engine.
 5482-2 Assemblies include all parts shown in frames. 12/23/2011

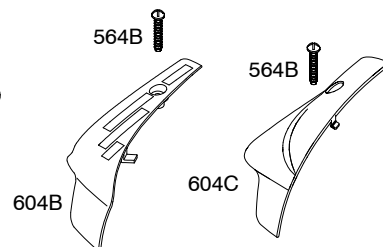
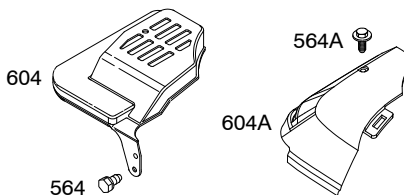
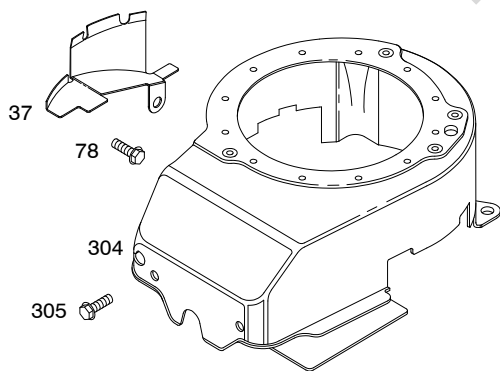
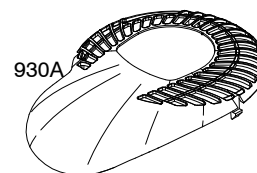
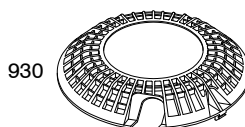
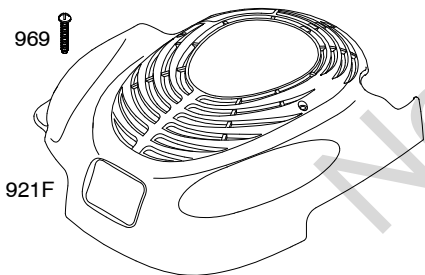
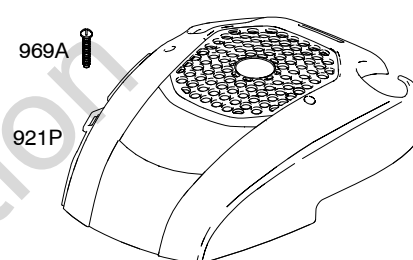
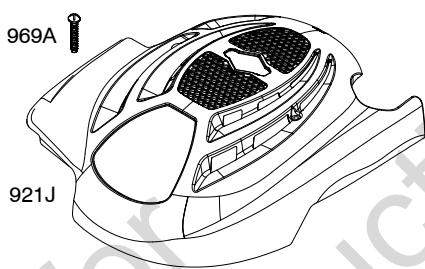
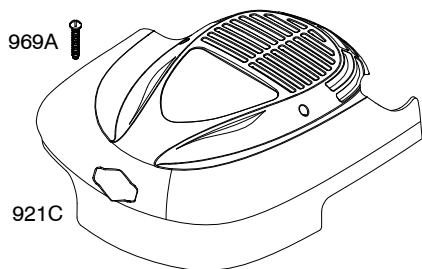
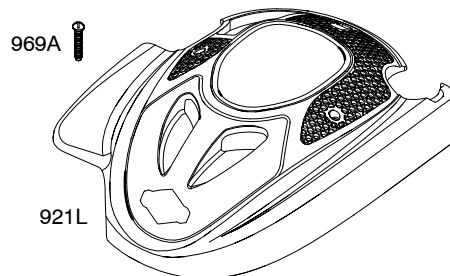
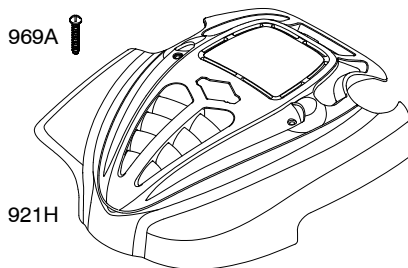
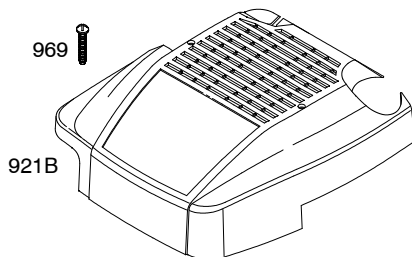
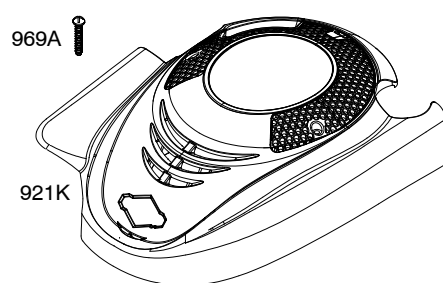
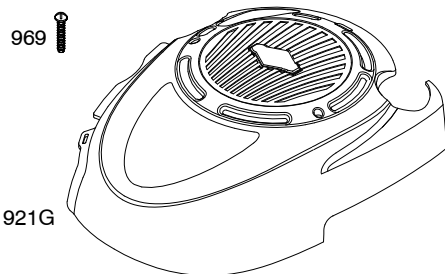
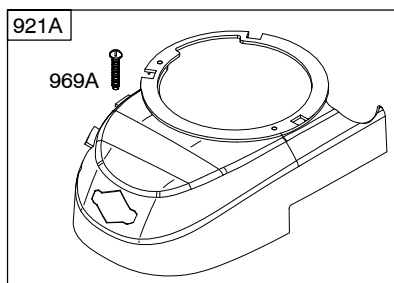


Illustrations cover a range of engines. Parts shown without corresponding text may not be used on your specific engine.
 5482-3 Assemblies include all parts shown in frames. 12/23/2011

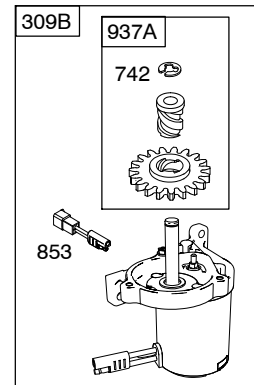
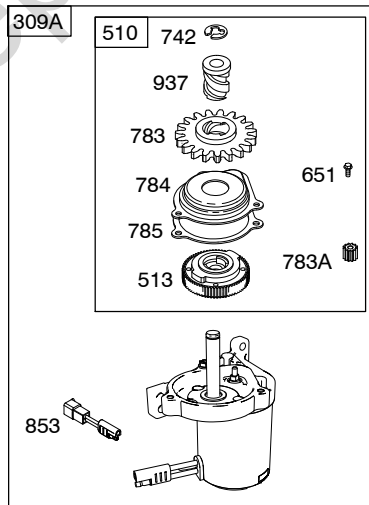
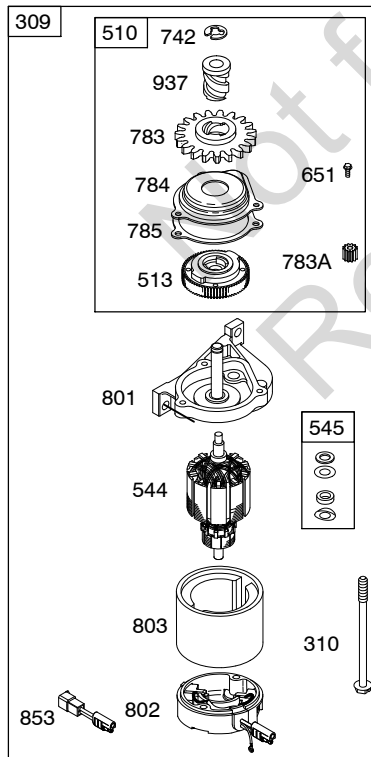
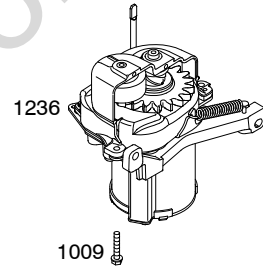
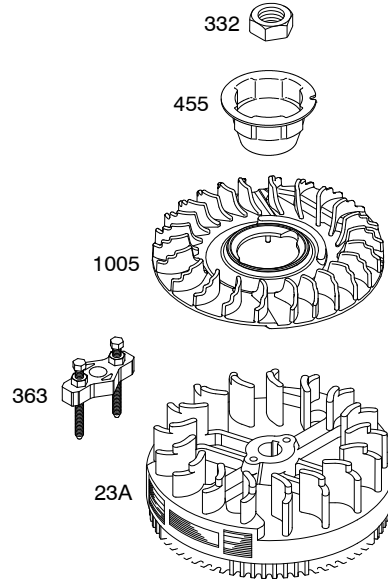
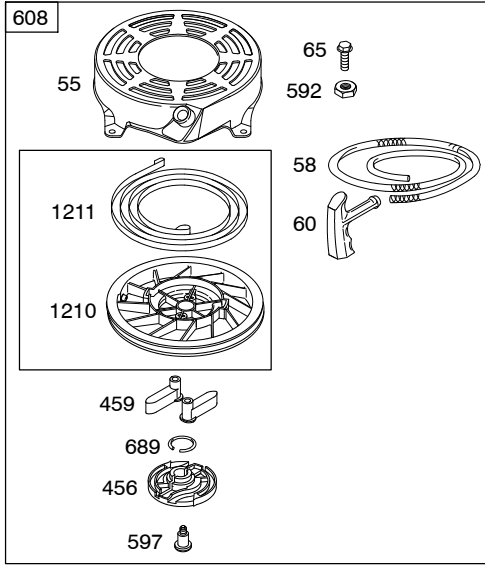
125K00



Illustrations cover a range of engines. Parts shown without corresponding text may not be used on your specific engine.
5482-4 Assemblies include all parts shown in frames. **12/23/2011**



1036 EMISSIONS LABEL



Illustrations cover a range of engines. Parts shown without corresponding text may not be used on your specific engine.
 5482-6 Assemblies include all parts shown in frames. 12/23/2011

REF. NO.	PART NO.	DESCRIPTION	REF. NO.	PART NO.	DESCRIPTION	REF. NO.	PART NO.	DESCRIPTION
1	590401	Cylinder Assembly (Used After Code Date 11063000). ----- Note ----- 697322 Cylinder Assembly (Used Before Code Date 11070100).	8	590395	Breather Assembly (Used After Code Date 11063000). ----- Note ----- 695250 Beather-Assembly (Used Before Code Date 11070100).	16	691451	Crankshaft ----- Note ----- 691450 Crankshaft Used on Type No(s). 0025,0133,0139,0141, 0142,0180,0196,0197, 0198,0253,0263,0303, 0317,0318,0319,0325, 0336,0345,0355,0370, 0426,0427,0446,0448, 0449,0451,0453,0457, 0460,0461,0473,0477, 0482,0483,0487,0497, 0499,0500,0506,0509, 0512,0518,0542,0546, 0548,0561,0562,0578, 0579,0619,0624,0630, 0642,0654,0658,0659, 0661,0662,0683,0690, 0711,1024,1071,3711.
2	399269	Kit-Bushing/Seal (Magneto Side)	9	★∅699472	Gasket-Breather (Used After Code Date 11063000). ----- Note ----- 699833 Gasket-Beather (Used Before Code Date 11070100).			0426,0427,0446,0448, 0449,0451,0453,0457, 0460,0461,0473,0477, 0482,0483,0487,0497, 0499,0500,0506,0509, 0512,0518,0542,0546, 0548,0561,0562,0578, 0579,0619,0624,0630, 0642,0654,0658,0659, 0661,0662,0683,0690, 0711,1024,1071,3711.
3	★299819S	Seal-Oil (Magneto Side)	10	691125	Screw (Breather Assembly)			0426,0427,0446,0448, 0449,0451,0453,0457, 0460,0461,0473,0477, 0482,0483,0487,0497, 0499,0500,0506,0509, 0512,0518,0542,0546, 0548,0561,0562,0578, 0579,0619,0624,0630, 0642,0654,0658,0659, 0661,0662,0683,0690, 0711,1024,1071,3711.
4	493279	Sump-Engine ----- Note ----- 696294 Sump-Engine Used on Type No(s). 0266, 0286.	11	691781	Tube-Breather			0426,0427,0446,0448, 0449,0451,0453,0457, 0460,0461,0473,0477, 0482,0483,0487,0497, 0499,0500,0506,0509, 0512,0518,0542,0546, 0548,0561,0562,0578, 0579,0619,0624,0630, 0642,0654,0658,0659, 0661,0662,0683,0690, 0711,1024,1071,3711.
5	590411	Head-Cylinder (Used After Code Date 11063000). ----- Note ----- 691160 Head-Cylinder (Used Before Code Date 11070100).	11B	691923	Tube-Breather			0426,0427,0446,0448, 0449,0451,0453,0457, 0460,0461,0473,0477, 0482,0483,0487,0497, 0499,0500,0506,0509, 0512,0518,0542,0546, 0548,0561,0562,0578, 0579,0619,0624,0630, 0642,0654,0658,0659, 0661,0662,0683,0690, 0711,1024,1071,3711.
7	★∅799875	Gasket-Cylinder Head (Used After Code Date 11063000). ----- Note ----- 692249 Gasket-Cylinder Head (Used Before Code Date 11070100).	12	★692232	Gasket-Crankcase			0426,0427,0446,0448, 0449,0451,0453,0457, 0460,0461,0473,0477, 0482,0483,0487,0497, 0499,0500,0506,0509, 0512,0518,0542,0546, 0548,0561,0562,0578, 0579,0619,0624,0630, 0642,0654,0658,0659, 0661,0662,0683,0690, 0711,1024,1071,3711.
			13	590422	Screw (Cylinder Head) (Used After Code Date 11063000). ----- Note ----- 690912 Screw (Cylinder Head) (Used Before Code Date 11070100).			0426,0427,0446,0448, 0449,0451,0453,0457, 0460,0461,0473,0477, 0482,0483,0487,0497, 0499,0500,0506,0509, 0512,0518,0542,0546, 0548,0561,0562,0578, 0579,0619,0624,0630, 0642,0654,0658,0659, 0661,0662,0683,0690, 0711,1024,1071,3711.
			15	691680	Plug-Oil Drain (Square Socket)			0426,0427,0446,0448, 0449,0451,0453,0457, 0460,0461,0473,0477, 0482,0483,0487,0497, 0499,0500,0506,0509, 0512,0518,0542,0546, 0548,0561,0562,0578, 0579,0619,0624,0630, 0642,0654,0658,0659, 0661,0662,0683,0690, 0711,1024,1071,3711.

★ Included in Engine Gasket Set-Ref. No.358.

● Included in Carburetor Overhaul Kit-Ref. No. 121.

◆ Included in Carburetor Gasket Set-Ref. No. 977.

∅ Included in Valve Gasket Set-Ref. No 1095.

Illustrations cover a range of engines. Parts shown without corresponding text may not be used on your specific engine.

125K00

REF. NO.	PART NO.	DESCRIPTION	REF. NO.	PART NO.	DESCRIPTION	REF. NO.	PART NO.	DESCRIPTION
20	★399781S	Seal-Oil (PTO Side)	25	590404	Piston Assembly (Standard) (Used After Code Date 11063000).	26	590402	Ring Set (Standard) (Used After Code Date 11063000).
22	691092	Screw (Crankcase Cover/ Sump)			----- Note ----- 797302 Piston Assembly (Standard) (Used After Code Date 09041600 and Before Code Date 11070100).			----- Note ----- 797304 Ring Set (Standard) (Used After Code Date 09041600 and Before Code Date 11070100).
23A	691987	Flywheel ----- Note ----- 696291 Flywheel Used on Type No(s). 0266, 0286. 691992 Flywheel Used on Type No(s). 0005, 0129, 0130, 0131, 0132, 0137, 0138, 0140, 0187, 0188, 0194, 0195, 0202.			795429 Piston Assembly (Standard) (Used After Code Date 07090300 and Before Code Date 09041700).			795431 Ring Set (Standard) (Used After Code Date 07090300 and Before Code Date 09041700).
24	222698S	Key-Flywheel			791097 Piston Assembly (Standard) (Used Before Code Date 07090400).			791098 Ring Set (Standard) (Used After Code Date 04031400 and Before Code Date 07090400).
					590405 Piston Assembly (.020" Oversize) (Used After Code Date 11063000).			499425 Ring Set (Standard) (Used Before Code Date 04031500).
					797303 Piston Assembly (.020" Oversize) (Used After Code Date 09041600 and Before Code Date 11070100).			590403 Ring Set (.020" Oversize) (Used After Code Date 11063000).
					795430 Piston Assembly (.020" Oversize) (Used After Code Date 07090300 and Before Code Date 09041700).			797305 Ring Set (.020" Oversize) (Used After Code Date 09041600 and Before Code Date 11070100).
					791326 Piston Assembly (.020" Oversize) (Used Before Code Date 07090400).			795432 Ring Set (.020" Oversize) (Used After Code Date 07090300 and Before Code Date 09041700).
								791324 Ring Set (.020" Oversize) (Used After Code Date 04102100 and Before Code Date 07090400).
								499427 Ring Set (.020" Oversize) (Used Before Code Date 04102200).

★ Included in Engine Gasket Set-Ref. No.358.

● Included in Carburetor Overhaul Kit-Ref. No. 121.

◆ Included in Carburetor Gasket Set-Ref. No. 977.

⊘ Included in Valve Gasket Set-Ref. No 1095.

Illustrations cover a range of engines. Parts shown without corresponding text may not be used on your specific engine.

5482-8

Assemblies include all parts shown in frames.

12/23/2011

REF. NO.	PART NO.	DESCRIPTION	REF. NO.	PART NO.	DESCRIPTION	REF. NO.	PART NO.	DESCRIPTION
27	691588	Lock-Piston Pin (Used After Code Date 09041600). ----- Note ----- 691866 Lock-Piston Pin (Used Before Code Date 09041700).	34	590393	Valve-Intake (Used After Code Date 11063000). ----- Note ----- 262652S Valve-Intake (Used Before Code Date 11070100).	65	690837	Screw (Rewind Starter)
28	298909	Pin-Piston (Used After Code Date 09041600). ----- Note ----- 499423 Pin-Piston (Used Before Code Date 09041700).	35	691270	Spring-Valve (Intake)	78	691108	Screw (Flywheel Guard)
29	797306	Rod-Connecting (Used After Code Date 09041600). ----- Note ----- 499424 Rod-Connecting (Used Before Code Date 09041700).	36	691270	Spring-Valve (Exhaust)	81	691740	Lock-Muffler Screw
32	691664	Screw (Connecting Rod)	37	694086	Guard-Flywheel	95	691636	Screw (Throttle Valve)
32A	695759	Screw (Connecting Rod)	40	692194	Retainer-Valve	97	493267	Shaft-Throttle (Metal) ----- Note ----- 696565 Shaft-Throttle (Plastic)
33	590394	Valve-Exhaust (Used After Code Date 11063000). ----- Note ----- 260651S Valve-Exhaust (Used Before Code Date 11070100).	43	691997	Slinger-Governor/Oil	104	691242	Pin-Float Hinge
			45	690548	Tappet-Valve	108	691182	Valve-Choke
			46	691449	Camshaft	108A	795935	Valve-Choke (Used After Code Date 08031200). ----- Note ----- 790844 Valve-Choke (Used Before Code Date 08031300).
			50	497465	Manifold-Intake			
			50A	794305	Manifold-Intake Used on Type No(s). 1024, 1071.			
			51	★272199S	Gasket-Intake	109A	498593	Shaft-Choke
			51A	★794306	Gasket-Intake	109B	795936	Shaft-Choke (Used After Code Date 08031200). ----- Note ----- 790843 Shaft-Choke (Used Before Code Date 08031300).
			54	691650	Screw (Intake Manifold)			
			55	691421	Housing-Rewind Starter			
			58	697316	Rope-Starter (Cut To Required Length) ----- Note ----- 791362 Rope-Starter Used on Type No(s). 0197, 0198.			
			60	281434S	Grip-Starter Rope			
			60C	799716	Grip-Starter Rope			

★ Included in Engine Gasket Set-Ref. No.358.

● Included in Carburetor Overhaul Kit-Ref. No. 121.

◆ Included in Carburetor Gasket Set-Ref. No. 977.

⊘ Included in Valve Gasket Set-Ref. No 1095.

Illustrations cover a range of engines. Parts shown without corresponding text may not be used on your specific engine.

125K00

REF. NO.	PART NO.	DESCRIPTION	REF. NO.	PART NO.	DESCRIPTION	REF. NO.	PART NO.	DESCRIPTION
117	498978	Jet-Main (Standard) ----- Note ----- 494870 Jet-Main (Standard) Used on Type No(s). 0134, 0561, 0658, 0659, 0683.	118	498975	Jet-Main (High Altitude) ----- Note ----- 497315 Jet-Main (High Altitude) Used on Type No(s). 0134, 0561, 0658, 0659, 0683.	125	498170	Carburetor (Primer System) ----- Note ----- 790821 Carburetor (Primer System) Used on Type No(s). 0134, 0561, 0658, 0659, 0683.
117A	498978	Jet-Main (Standard) ----- Note ----- 498981 Jet-Main (Standard) Used on Type No(s). 0005.	118A	497466	Jet-Main (High Altitude) ----- Note ----- 494870 Jet-Main (High Altitude) Used on Type No(s). 0005.	125A	499059	Carburetor (Choke System) ----- Note ----- 792253 Carburetor (Choke System) Used on Type No(s). 0005.
117B	697355	Jet-Main (Standard) ----- Note ----- 498977 Jet-Main (Standard) (Used After Code Date 08061900). Used on Type No(s). 1024, 1071. 691428 Jet-Main (Standard) (Used Before Code Date 08062000). Used on Type No(s). 1024, 1071.	118B	692677	Jet-Main (High Altitude) ----- Note ----- 694250 Jet-Main (High Altitude) (Used After Code Date 08061900). Used on Type No(s). 1024, 1071. 695042 Jet-Main (High Altitude) (Used Before Code Date 08062000). Used on Type No(s). 1024, 1071.	125B	790845	Carburetor (Autochoke System) ----- Note ----- 794304 Carburetor (Autochoke System) Used on Type No(s). 1024, 1071.
			121	498260	Kit-Carburetor Overhaul	127	●694468	Plug-Welch
						130	●696564	Valve-Throttle
						130A	●691203	Valve-Throttle
						133	●398187	Float-Carburetor
						134	●398188	Kit-Needle/Seat
						137	●◆796610	Gasket-Float Bowl (1/8" Thick) ----- Note ----- 693981 Gasket-Float Bowl (1/16" Thick)
						146	●690979	Key-Timing
						159	●691753	Bracket-Air Cleaner Primer
						163★●◆272653	●	Gasket-Air Cleaner
						187	●791766	Line-Fuel (Cut to Required Length)
						187A	●791873	Line-Fuel (Molded)
						187B	●791891	Line-Fuel (Includes Filter)
						187C	●791875	Line-Fuel (Molded)
						188	●693399	Screw (Control Bracket)
						190	●690940	Screw (Fuel Tank)

★ Included in Engine Gasket Set-Ref. No.358.

● Included in Carburetor Overhaul Kit-Ref. No. 121.

◆ Included in Carburetor Gasket Set-Ref. No. 977.

⊙ Included in Valve Gasket Set-Ref. No 1095.

Illustrations cover a range of engines. Parts shown without corresponding text may not be used on your specific engine.

REF. NO.	PART NO.	DESCRIPTION	REF. NO.	PART NO.	DESCRIPTION	REF. NO.	PART NO.	DESCRIPTION
202	691829	Link-Mechanical Governor	222	790143	Bracket-Control (Remote/Manual Friction)(Primer)	291	790830	Thermostat
209B	699056	Spring-Governor	222C	692150	Bracket-Control (Variable Speed) (5 Postion Manual Choke)	300	692038	Muffler (Super Lo Tone)
		----- Note -----	222D	692467	Bracket-Control (Fixed Speed)			----- Note -----
		691292 Spring-Governor			----- Note -----			790828 Muffler
		Used on Type No(s). 0142, 0178, 0179, 0186, 0187, 0188, 0189, 0202, 0325, 0336, 0355, 0426, 0427, 0460, 0461, 0483, 0512, 0548.			791128 Bracket-Control (Fixed Speed)			Used on Type No(s). 0133, 0139, 0180, 0188, 0196, 0197, 0198, 0202, 0266, 0389, 0431, 0432, 0448, 0449, 0450, 0487, 0542, 0546, 0548, 0561, 0578, 0579, 0619, 0622, 0624, 0630, 0642, 0654, 0658, 0659, 0661, 0683, 0690, 0711, 3711.
		691851 Spring-Governor	227	690783	Lever-Governor Control	304	695892	Housing-Blower
		Used on Type No(s). 0130, 0139, 0141, 0180, 0196, 0197, 0198.	231	691636	Screw (Choke Valve)			----- Note -----
		691290 Spring-Governor	236	691826	Link-Lockout			493293 Housing-Blower
		Used on Type No(s). 0005, 0131, 0132, 0137.	240	298090S	Filter-Fuel			Used on Type No(s). 0060, 0178, 0179, 0186, 0189, 0193, 0263, 0274, 0318, 0319, 0345, 0431, 0432, 0453, 0499, 0546, 0659.
		691291 Spring-Governor	265	690798	Clamp-Casing			696298 Housing-Blower
		Used on Type No(s). 0129, 0138, 0140.	267	691044	Screw (Casing Clamp)			Used on Type No(s). 0266, 0286.
		691852 Spring-Governor	268	691025	Casing-Control Wire (Cut to Required Length)			493294 Housing-Blower
		Used on Type No(s). 0193, 0194, 0195.	269	691026	Wire-Control (Cut to Required Length)			Used on Type No(s). 0005, 0129, 0130, 0131, 0132, 0137, 0138, 0140, 0187, 0188, 0194, 0195, 0202.
			270	691027	Nut (Control Wire Casing)			790826 Housing-Blower
			271	691028	Lever-Control			Used on Type No(s). 0133, 0139, 0196, 0197, 0389, 0449, 0450, 0487, 0515, 0542, 0630, 0690.
			276 ♦ 271716	Washer-Sealing (Main Jet)				790983 Housing-Blower
			287	690940	Screw (Dipstick Tube)			Used on Type No(s). 0180, 0198, 0448, 0560, 0562, 0642, 1071.

★ Included in Engine Gasket Set-Ref. No.358.

● Included in Carburetor Overhaul Kit-Ref. No. 121.

◆ Included in Carburetor Gasket Set-Ref. No. 977.

⊘ Included in Valve Gasket Set-Ref. No 1095.

Illustrations cover a range of engines. Parts shown without corresponding text may not be used on your specific engine.

125K00

REF. NO.	PART NO.	DESCRIPTION	REF. NO.	PART NO.	DESCRIPTION	REF. NO.	PART NO.	DESCRIPTION
305	691108	Screw (Blower Housing)	358	590508	Gasket Set-Engine (Used After Code Date 11063000).	564	690664	Screw (Control Cover)
306	690450	Shield-Cylinder			----- Note -----	564A	691142	Screw (Control Cover)
306A	790836	Shield-Cylinder			794307 Gasket	564B	698589	Screw (Control Cover)
307	690345	Screw (Cylinder Shield)			(Used Before Code Date 11070100).			
309	695550	Motor-Starter (Used Before Code Date 07052900).	363	19069	Flywheel Puller	578	398153	Wire-Assembly
309A	795092	Motor-Starter (Used After Code Date 07052800).	365	691688	Screw (Carburetor)	584	697734	Cover-Breather Passage
310	692327	Bolt (Starter Motor)	383	89838S	Wrench-Spark Plug	585	★691879	Gasket-Breather Passage
332	690662	Nut (Flywheel)	404	690272	Washer (Governor Crank)	592	690800	Nut (Rewind Starter)
333	802574	Armature-Magneto ----- Note ----- 790817 Armature-Magneto Used on Type No(s). 0134, 0389, 0515, 0561, 0562, 0658, 0659, 0683, 0690.	425A	690670	Screw (Air Cleaner Cover)	597	691696	Screw (Pawl Friction Plate)
334	691061	Screw (Magneto Armature)	443A	692523	Screw (Air Cleaner Primer Base)	601	791850	Clamp-Hose
337	799876	Plug-Spark (Used After Code Date 11063000). ----- Note ----- 802592S Plug-Spark (Resistor) (Used Before Code Date 11070100). 697451 Plug-Spark (EMS) (Used Before Code Date 11070100).	445A	491588S	Filter-Air Cleaner Cartridge	601A	691038	Clamp-Hose
356	692390	Wire-Stop	455	791960	Cup-Flywheel	604	691757	Cover-Control
356G	790704	Wire-Stop	456	692299	Plate-Pawl Friction	604A	691344	Cover-Control
356H	690791	Wire-Stop	459	281505S	Plate-Ratchet	604B	790703	Cover-Control
			474	691991	Alternator	604C	792418	Cover-Control
			497	690664	Screw (Stop Switch Bracket)	608	497680	Starter-Rewind ----- Note ----- 791363 Starter-Rewind Used on Type No(s). 0197, 0198.
			505	691251	Nut (Governor Control Lever)	613	691340	Screw (Muffler) ----- Note ----- 790833 Screw (Muffler) Used on Type No(s). 0133, 0139, 0180, 0196, 0197, 0198, 0389, 0448, 0449, 0450, 0487, 0515, 0542, 0562, 0630, 0642, 0690.
			510	795093	Drive-Starter			
			513	692358	Clutch-Drive			
			523	499621	Dipstick			
			524	★692296	Seal-Dipstick Tube			
			525	495265	Tube-Dipstick			
			544	690786	Armature-Starter			
			545	492919	Washer Set			
			562	92613	Bolt (Governor Control Lever)			

★ Included in Engine Gasket Set-Ref. No.358.

● Included in Carburetor Overhaul Kit-Ref. No. 121.

◆ Included in Carburetor Gasket Set-Ref. No. 977.

⊘ Included in Valve Gasket Set-Ref. No 1095.

Illustrations cover a range of engines. Parts shown without corresponding text may not be used on your specific engine.

REF. NO.	PART NO.	DESCRIPTION	REF. NO.	PART NO.	DESCRIPTION	REF. NO.	PART NO.	DESCRIPTION
615	690340	Retainer-Governor Shaft	741	797521	Gear-Timing (Metal) (Used After Code Date 08021700).	801	690782	Cap-Drive
616	698801	Crank-Governor			(Used After Code Date 08021700).	802	695267	Cap-End
617	★◆270344	Seal-O Ring (Intake Manifold)			----- Note -----	803	695266	Housing-Starter
621	692310	Switch-Stop			795755 Gear-Timing (Plastic) (Used After Code Date 08021700).	832	590486	Guard-Muffler (Used After Code Date 11063000).
627	692872	Bracket-Stop Switch			794388 Gear-Timing (Use Without Woodruff Key) (Used After Code Date 07093000 and Before Code Date 08021800).			----- Note -----
		----- Note -----			790345 Gear-Timing (Use Without Woodruff Key) (Used Before Code Date 07100100).			499034 Guard-Muffler (Used Before Code Date 11070100).
		792565 Bracket-Stop Switch Used on Type No(s). 0130.			691830 Gear-Timing (Uses Woodruff Key)	836	690664	Screw (Muffler Guard)
627A	793211	Bracket-Stop Switch			742 93941 Retainer-E Ring	842	★691031	Seal-O Ring (Dipstick Tube)
633	◆691321	Seal-Choke/Throttle Shaft	745	691648	Screw (Brake)	843	691884	Sleeve-Lever (Speed Control)
633A	◆693867	Seal-Choke/Throttle Shaft			783 691918 Gear-Pinion	843A	691895	Sleeve-Lever (Choke)
635	66538S	Boot-Spark Plug			783A 691269 Gear-Pinion			847 692047 Dipstick/Tube Assembly
651	691660	Screw (Starter Gear Cover)			784 795095 Cover-Starter Gear			851 493880S Terminal-Spark Plug
668	★493823	Spacer			785 692352 Gasket-Starter Cover Used on Type No(s). 0180, 0198.			853 695268 Adapter-Wire
670	692294	Spacer-Fuel Tank			789B 696547 Harness-Wiring			868 590410 Seal-Valve (Used After Code Date 11063000).
676	396548	Deflector-Muffler			----- Note -----			697338 Seal-Valve (Used Before Code Date 11070100).
676C	493871	Deflector-Muffler			792685 Harness-Wiring			
677	690661	Screw (Muffler Deflector)						
684	690345	Screw (Breather Passage Cover)						
689	691855	Spring-Friction						
692	690572	Spring-Detent						
697	691127	Screw (Drive Cap)						
718	690959	Pin-Locating						

★ Included in Engine Gasket Set-Ref. No.358.

● Included in Carburetor Overhaul Kit-Ref. No. 121.

◆ Included in Carburetor Gasket Set-Ref. No. 977.

⊘ Included in Valve Gasket Set-Ref. No 1095.

Illustrations cover a range of engines. Parts shown without corresponding text may not be used on your specific engine.

125K00

REF. NO.	PART NO.	DESCRIPTION	REF. NO.	PART NO.	DESCRIPTION	REF. NO.	PART NO.	DESCRIPTION
871	590409	Bushing-Valve Guide (Exhaust) (Used After Code Date 11063000).	923	691994	Brake	930	691919	Guard-Rewind
		----- Note -----	923A	695891	Brake	930A	691345	Guard-Rewind
		590409 Bushing-Valve Guide (Intake) (Used After Code Date 11063000).			----- Note -----	935	499421	Switch-Interlock (Used Before Code Date 08050100).
		262001 Bushing-Valve Guide (Exhaust) (Used Before Code Date 11070100).			695891 Brake (Used Before Code Date 08050100). Used on Type No(s). 0015, 0025, 0134, 0139, 0141, 0142, 0196, 0197, 0243, 0253, 0273, 0281, 0303, 0320, 0321, 0323, 0370, 0389, 0426, 0427, 0446, 0449, 0450, 0451, 0452, 0457, 0460, 0461, 0473, 0477, 0482, 0483, 0487, 0497, 0500, 0506, 0509, 0512, 0515, 0518, 0525, 0542, 0548, 0561, 0578, 0579, 0619, 0624, 0630, 0654, 0658, 0661, 0662, 0683, 0690, 0711, 3711.	937	691325	Spline-Starter
		63709 Bushing-Valve Guide (Intake) (Used Before Code Date 11070100).				937A	799420	Spline-Starter
883	691881	Gasket-Exhaust				957A	692046	Cap-Fuel Tank (Plastic)
910	691094	Stud (Alternator)				957B	699985	Cap-Fuel Tank (Plastic)
921A	695886	Cover-Blower Housing				966A	496116	Base-Air Cleaner Primer
921B	692931	Cover-Blower Housing				966B	792040	Base-Air Cleaner Primer
921C	695889	Cover-Blower Housing	923B	796136	Brake (Used After Code Date 08043000). Used on Type No(s). 0015, 0025, 0134, 0139, 0141, 0142, 0196, 0197, 0243, 0253, 0273, 0281, 0303, 0320, 0321, 0323, 0370, 0389, 0426, 0427, 0446, 0449, 0450, 0451, 0452, 0457, 0460, 0461, 0473, 0477, 0482, 0483, 0487, 0497, 0500, 0506, 0509, 0512, 0515, 0518, 0525, 0542, 0548, 0561, 0578, 0579, 0619, 0624, 0630, 0654, 0658, 0661, 0662, 0683, 0690, 0711, 3711.	967A	493537S	Filter-Pre Cleaner
921F	697343	Cover-Blower Housing				968B	692298	Cover-Air Cleaner
921G	790701	Cover-Blower Housing				969	690700	Screw (Blower Housing Cover)
921H	790037	Cover-Blower Housing				969A	691138	Screw (Blower Housing Cover)
921J	790036	Cover-Blower Housing				970	691669	Screw (Air Cleaner Primer Bracket)
921K	699984	Cover-Blower Housing				972	699392	Tank-Fuel (Plastic)
921L	791026	Cover-Blower Housing				972B	699374	Tank-Fuel (Plastic)
921P	792687	Cover-Blower Housing						----- Note -----
922	691831	Spring-Brake						699387 Tank-Fuel (Plastic) Used on Type No(s). 0266, 0286.
922A	692135	Spring-Brake						

★ Included in Engine Gasket Set-Ref. No.358.

● Included in Carburetor Overhaul Kit-Ref. No. 121.

◆ Included in Carburetor Gasket Set-Ref. No. 977.

⊘ Included in Valve Gasket Set-Ref. No 1095.

Illustrations cover a range of engines. Parts shown without corresponding text may not be used on your specific engine.

REF. NO.	PART NO.	DESCRIPTION	REF. NO.	PART NO.	DESCRIPTION	REF. NO.	PART NO.	DESCRIPTION
975	493640	Bowl-Float	1059	692311	Kit-Screw/Washer	1210	498144	Pulley/Spring Assembly (Pulley)
976	694395	Primer-Carburetor			----- Note -----	1211	498144	Pulley/Spring Assembly (Spring)
977	498261	Gasket Set-Carburetor			696293 Kit-Screw/Washer	1236	695959	Starter-Machanical (Touch N Mow)
990A	695951	Key Set	1095	590507	Gasket Set-Valve (Used After Code Date 11063000).			(Do Not Service Individual Parts, Only As A Whole)
1005	691346	Fan-Flywheel			----- Note -----	1319	794467	Label-Warning
1009	696255	Screw (Starter Motor)			498528 Gasket Set-Valve (Used Before Code Date 11070100).	1330	270962	Manual-Repair
1019	694881	Kit-Label	1119	692979	Screw (Alternator)	1386	790848	Vane-Air (Autochoke System)
		----- Note -----	1160	690345	Screw (Interlock Switch)	1387	790849	Spring-Air Vane
		790231 Kit-Label (Touch N Mow)				1388	790850	Screw (Air Vane)
1036		Label-Emissions (Available From A Briggs & Statton Authorized Dealer)						
1058	380567	Operator's Manual (Used After Code Date 11063000).						
		----- Note -----						
		277039 Operator's Manual (Used Before Code Date 11070100).						
		277101 Operator's Manual (Touch N Mow)						

★ Included in Engine Gasket Set-Ref. No.358.

● Included in Carburetor Overhaul Kit-Ref. No. 121.

◆ Included in Carburetor Gasket Set-Ref. No. 977.

⊘ Included in Valve Gasket Set-Ref. No 1095.

Illustrations cover a range of engines. Parts shown without corresponding text may not be used on your specific engine.

Not for
Reproduction

