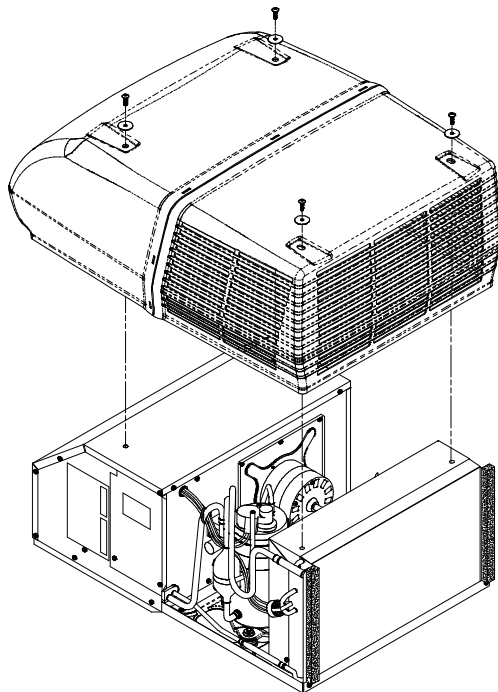




RV Products Division

## INSTALLATION INSTRUCTIONS FOR 2-PIECE POLYPROPYLENE RV AIR CONDITIONER SHROUD

1. Remove the old shroud from the air conditioner by removing the four bolts or nuts and washers.
2. If not already present, install the two foam pads to the condenser coil flanges. Peel the paper liner from the edge of the pads and position them as shown in the figure below.
3. Assemble the front and rear halves of the new shroud by inserting the flange of the rear half into the groove of the front half. Ensure the seven "clip" sections of the shroud halves have engaged.
4. Place the new shroud over the air conditioner. Pull the rear of the shroud opening away from the coil fins while installing the shroud to prevent scarring of the fins. Ensure the front flange of the shroud slips below the retaining clips to allow the shroud to set on the front unit flange.
5. Re-install the washers and the bolts or nuts over the new shroud. Pull the shroud rearward to ensure the front of the shroud opening is under the retaining clips, then tighten the shroud fasteners.



Airxcel, Inc.  
RV Products Division  
P.O. Box 4020  
Wichita, KS 67204