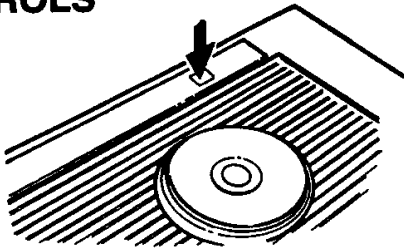


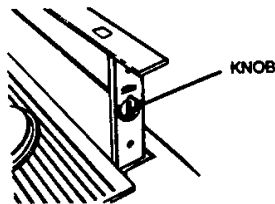
## USE AND CARE

Always turn the downdraft blower on before you begin cooking to establish an air flow in the kitchen. Let the blower run for a few minutes to clean the air after you turn the cooktop off. This will keep the whole kitchen cleaner and brighter.

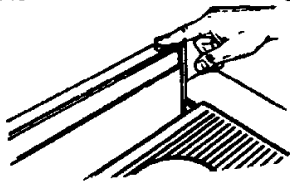
### CONTROLS



Turn the downdraft blower ON by pressing down on the activating switch. The air vent will rise.



The blower can be turned ON or OFF and its speed can be adjusted with the recessed knob on the right side of the air vent.



Turn the downdraft blower OFF by pressing the activating switch again. The air vent will go down and the blower will shut OFF.

Note: For most convenient operation, set the blower to your favorite speed. The blower will come on to this speed whenever the activating switch is pressed and the air vent rises.

## USE AND CARE - (Continued)

### CLEANING

**WARNING: Always disconnect electric power supply before cleaning unit.**

Use a mild detergent suitable for painted surfaces. DO NOT USE ABRASIVE CLOTH, STEEL WOOL PADS, OR SCOURING POWDERS. Vacuum blower to clean. Do not immerse blower in water.

Wash the 2 aluminum grease filters in a mild detergent solution or a dishwasher. Remove them from the air vent by grasping the tab at the top of each filter.

Note: The filters are different sizes. Be sure to replace them as removed, (wider one on the left), with tabs UP.

### SERVICING

**WARNING: Always disconnect electric power supply before servicing unit.**

It may be necessary to remove the downdraft blower system from the cabinet in order to service components such as the blower motor or air vent mechanism.

Disconnect power to the cooktop and remove it first. Reverse the steps under "MOUNT THE UNIT" to remove the downdraft from the cabinet.

Service parts are available from your local Maycor distributor or from Maycor Parts & Service, 240 Edwards Street S.E., Cleveland, Tennessee 37311. Phone: (615) 472-3500.

# SERVICE PARTS

## Models HV303 & HV363 Downdraft Blower Systems

KEY NO.	PART NUMBER	DESCRIPTION	QTY.
1	93400038	Bushing, 7/8"	1
2	99400061	Bushing, Split Heyco, 5/8"	1
3	99400024	Bushing, Heyco, 1/2"	1
4	93470012	Roller	1
5	97011238	Switch Assembly, Up/Down	1
6	97010714	Wire Harness, Speed Control	1
7	99260491	Nut, 3/8-32	1
8	99360165	Knob	1
9	99100492	Motor Isolator	3
10	97009972	Lower Switch Bracket Assembly	1
11	97011293	Green Ground Wire	1
12	97010993	Wire Harness	1
15	98008241	Trim Panel, Stainless (Model HV303)	1
	98008264	Trim Panel, Stainless (Model HV363)	1
16	98007642	Back-up Plate	1
17	98007780	Crank	1
18	98008168	Switch Cover	1
19	97011325	Chimney Assembly with Slide (Model HV303)	1
	97011326	Chimney Assembly with Slide (Model HV363)	1
20	99080362	Motor (with Capacitor-Key No. 73)	1
21	99020247	Blower Wheel	1
22	98008167	Scroll Box Extension	1
23	99710032	Spacer	3
24	97011259	Top Bracket Assembly, Right	1
25	97011260	Top Bracket Assembly, Left	1
26	97011449	Top, Black (Model HV303)	1
	97011450	Top, Black (Model HV363)	1
28	97010991	Scroll Box Assembly	1
29	97011443	Gear Motor Cover	1
30	97010994	Air Box Assembly (Model HV303)	1
	97010992	Air Box Assembly (Model HV363)	1
31	98008150	Scroll Box Cover	1
32	98008157	Capacitor Strap	1
33	97009786	Filter Kit (Model HV303) (contains 2 filters)	1
	97009787	Filter Kit (Model HV363) (contains 2 filters)	1
45	99090905	End Cap	1
46	99080354	Gearmotor	1
47	99110850	Slide Strip	4
49	99150245	Screw, #8-18 x .375 SLT HX WS HD	19
50	99150471	Screw, #10-32 x .500 HX WS BDRH	2
51	99150526	Screw, #8-18 x .250 SA PH TRH	10
52	99150488	Screw, #8-18 x .500 No. 5 PH Trim	2
53	98008158	Cover, Air Box Opening (Model HV303)	1
	98008185	Cover, Air Box Opening (Model HV363)	1
54	99260472	Wing Nut, 10-24	6
55	98008144	Air Box Cover (Model HV303)	1
	98008169	Air Box Cover (Model HV363)	1
56	97011002	Gearmotor Bracket Assembly	1
57	98008159	Leg Support	2
58	99150536	Screw, 1/4-20 x 5/16	5
59	99250927	Washer, 1/4	2
60	99160225	Screw, #8-32 x 1/2 PH HD MS	4
61	99160356	Screw, #10-24 x 3/8 SH WH LOCK	1
62	99160361	Screw, #10-24 x 3/8 PH FL HD LD	1
64	99260437	Nut, 10-24 HEX KEPS	7
65	99260477	Nut, 1/4-20 WHIZ LOCK	3
66	99380633	U-Bolt, 10-24	1
67	99400060	Strain Relief	1
68	93260447	Nut, Hex Flange	1
70	98008155	Wire Channel Clamp	2
71	93270493	Wire Tie	3
73	99271000	Capacitor	1
74	99160382	Screw, 1/4-20 x 1.250 Hex. Hd.	2
75	99150415	#8-18 x .250 PH TR HD BPT	3
**	97011311	Blower Assembly, Complete (Includes Key Nos. 2, 9, 20, 21, 22, 28, 31, 32, 49, 58, 64, 65, & 73)	
**	97011320	Chimney Assembly, Complete (Model HV303) (Includes Key Nos. 5, 6, 7, 8, 15, 19, 45, 51, 52, & 71)	
**	97011321	Chimney Assembly, Complete (Model HV363) (Includes Key Nos. 5, 6, 7, 8, 15, 19, 45, 51, 52, & 71)	

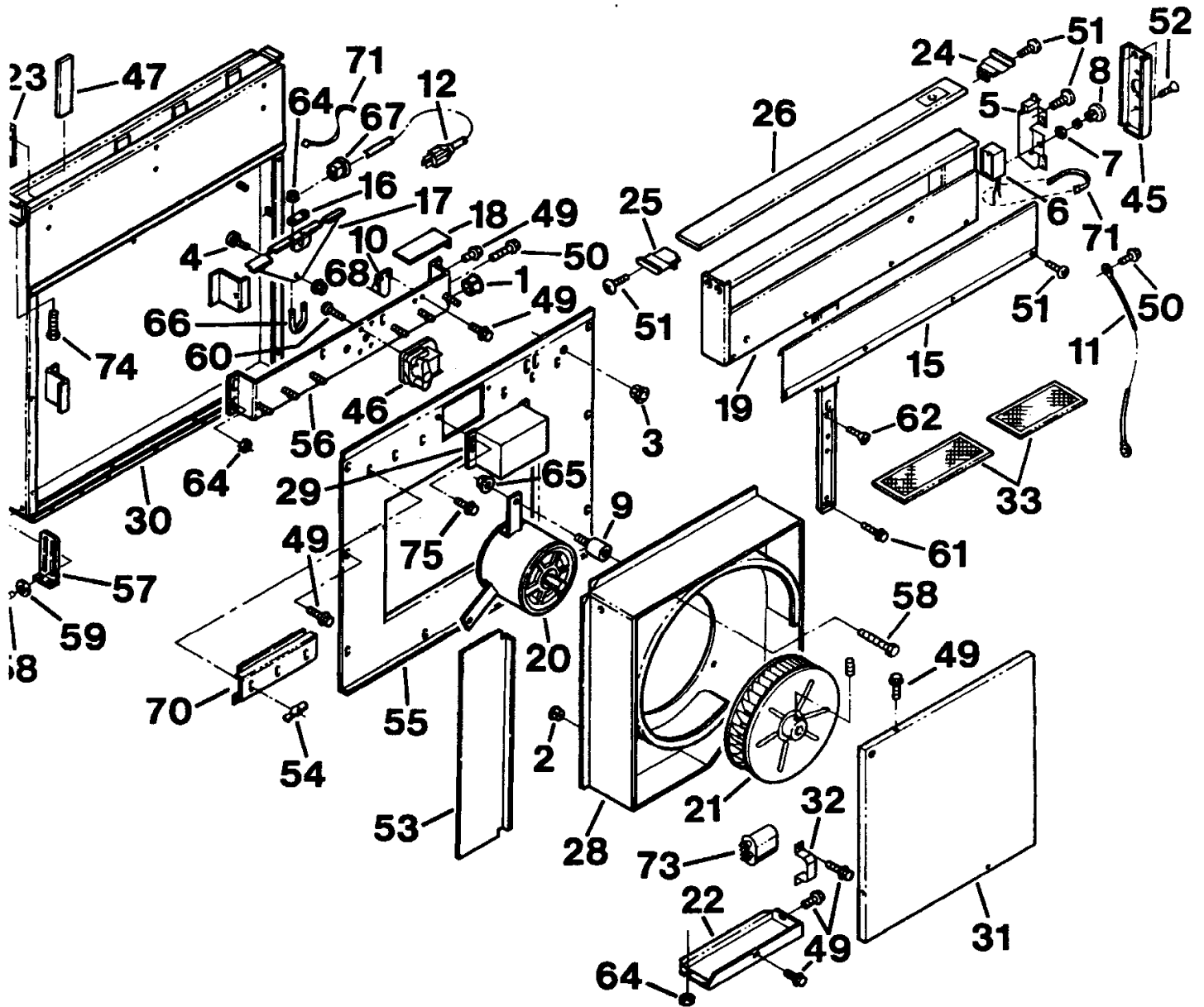
### OPTIONAL DOOR KITS

MODEL NO.	DESCRIPTION
WC303	30" White
WC363	36" White

\* Standard Hardware - May be purchased locally.  
\*\* Service Assembly - Contains numerous parts

# SERVICE PARTS

Models HV303 & HV363  
Downdraft Blower Systems



# **WARRANTY**

---

## **MAYCOR ONE YEAR LIMITED WARRANTY**

Maycor warrants that this product will be free from defects in materials or workmanship for a period of one year from the date of original purchase. During this one-year period, Maycor will repair or replace, at its option, any product or part which is found to be defective under normal use and service without charge. Maycor's obligation to repair or replace, at Maycor's option, shall be the purchaser's sole and exclusive remedy under this warranty.

**THIS WARRANTY DOES NOT EXTEND TO FLUORESCENT LAMP STARTERS AND TUBES, FILTERS, DUCTS, ROOF CAPS, WALL CAPS AND OTHER ACCESSORIES FOR DUCTING.** This warranty does not include normal maintenance and service and does not apply to any products or parts which have been subject to misuse, negligence, accident, improper maintenance or repair by others than Maycor, faulty installation or installation contrary to recommended installation instructions.

**THERE IS NO OTHER EXPRESS WARRANTY.** The duration of any implied warranty is limited to the one-year period as specified in the express warranty. Some states do not allow limitation on how long any implied warranty lasts. So the above limitation may not apply to you. **MAYCOR SHALL NOT BE LIABLE FOR INCIDENTAL, CONSEQUENTIAL OR SPECIAL DAMAGES ARISING OUT OF OR IN CONNECTION WITH PRODUCT USE OR PERFORMANCE EXCEPT AS MAY OTHERWISE BE ACCORDED BY LAW.** Some states do not allow the exclusion of incidental or consequential damages, so the above exclusion or limitation may not apply to you. This warranty gives you specific legal rights, and you may also have other rights which vary from state to state. This warranty supersedes all prior warranties.

For service, notify Maycor Parts & Service, 240 Edwards Street S.E., Cleveland, Tennessee 37311 or call (615) 472-3500. Please give the model number, part identification and nature of any defect in the product or part. At the time of requesting warranty service, evidence of the original purchase date must be presented.