

18 VOLT DRILL

INSTRUCTION MANUAL

Catalog Number FS1800D

THANK YOU FOR CHOOSING BLACK & DECKER!
GO TO WWW.BLACKANDDECKER.COM/NEWOWNER
TO REGISTER YOUR NEW PRODUCT.

**BEFORE RETURNING THIS PRODUCT
FOR ANY REASON PLEASE CALL
1-800-544-6986**

BEFORE YOU CALL, HAVE THE CATALOG No. AND DATE CODE AVAILABLE. IN MOST CASES, A BLACK & DECKER REPRESENTATIVE CAN RESOLVE THE PROBLEM OVER THE PHONE. IF YOU HAVE A SUGGESTION OR COMMENT, GIVE US A CALL. YOUR FEEDBACK IS VITAL TO BLACK & DECKER.



SAVE THIS MANUAL FOR FUTURE REFERENCE.

VEA EL ESPAÑOL EN LA CONTRAPORTADA.

INSTRUCTIVO DE OPERACIÓN, CENTROS DE SERVICIO Y
PÓLIZA DE GARANTÍA. **ADVERTENCIA:** LEÁSE ESTE
INSTRUCTIVO ANTES DE USAR EL PRODUCTO.

Cat #. FS1800D

Form # 90530527

DEC. '07

Copyright © 2007 Black & Decker

Printed in China

GENERAL SAFETY RULES - FOR ALL BATTERY OPERATED TOOLS

WARNING! READ AND UNDERSTAND ALL INSTRUCTIONS. Failure to follow all instructions listed below, may result in electric shock, fire and/or serious personal injury.

SAVE THESE INSTRUCTIONS

Work Area

- **Keep your work area clean and well lit.** Cluttered benches and dark areas invite accidents.
- **Do not operate power tools in explosive atmospheres, such as in the presence of flammable liquids, gases, or dust.** Power tools create sparks which may ignite the dust or fumes.
- **Keep bystanders, children, and visitors away while operating a power tool.** Distractions can cause you to lose control.

Electrical Safety

- **Do not abuse the cord. Never use the cord to carry the tool. Keep cord away from heat, oil, sharp edges or moving parts. Replace damaged cords immediately.** Damaged cords may create a fire.
- **A battery operated tool with integral batteries or a separate battery pack must be recharged only with the specified charger for the battery.** A charger that may be suitable for one type of battery may create a risk of fire when used with another battery.
- **Use battery operated tool only with specifically designated battery pack.** Use of any other batteries may create a risk of fire.

Personal Safety

- **Stay alert, watch what you are doing and use common sense when operating a power tool. Do not use tool while tired or under the influence of drugs, alcohol, or medication.** A moment of inattention while operating power tools may result in serious personal injury.
- **Dress properly. Do not wear loose clothing or jewelry. Contain long hair. Keep your hair, clothing, and gloves away from moving parts.** Loose clothing, jewelry, or long hair can be caught in moving parts. Air vents cover moving parts and should be avoided.
- **Avoid accidental starting. Be sure switch is in the locked or off position before inserting battery pack.** Carrying tools with your finger on the switch or inserting the battery pack into a tool with the switch on invites accidents.
- **Remove adjusting keys or wrenches before turning the tool on.** A wrench or key that is left attached to a rotating part of the tool may result in personal injury.
- **Do not overreach. Keep proper footing and balance at all times.** Proper footing and balance enables better control of the tool in unexpected situations.
- **Use safety equipment. Always wear eye protection.** Dust mask, non-skid safety shoes, hard hat, or hearing protection must be used for appropriate conditions.

Tool Use and Care

- **Use clamps or other practical way to secure and support the workpiece to a stable platform.** Holding the work by hand or against your body is unstable and may lead to loss of control.
- **Do not force tool. Use the correct tool for your application.** The correct tool will do the job better and safer at the rate for which it is designed.
- **Do not use tool if switch does not turn it on or off.** A tool that cannot be controlled with the switch is dangerous and must be repaired.
- **Disconnect battery pack from tool or place the switch in the locked or off position before making any adjustments, changing accessories, or storing the tool.** Such preventative safety measures reduce the risk of starting the tool accidentally.
- **Store idle tools out of reach of children and other untrained persons.** Tools are dangerous in the hands of untrained users.
- **When battery pack is not in use, keep it away from other metal objects like: paper clips, coins, keys, nails, screws or other small metal objects that can make a connection from one terminal to another.** Shorting the battery terminals together may cause sparks, burns, or a fire.
- **Maintain tools with care. Keep cutting tools sharp and clean.** Properly maintained tools, with sharp cutting edge are less likely to bind and are easier to control with sharp.
- **Check for misalignment or binding of moving parts, breakage of parts, and any other condition that may affect the tool's operation. If damaged, have the tool serviced before using.** Many accidents are caused by poorly maintained tools.

- **Use only accessories that are recommended by the manufacturer for your model.** Accessories that may be suitable for one tool may create a risk of injury when used on another tool.

Service

- **Tool service must be performed only by qualified repair personnel.** Service or maintenance performed by unqualified personnel could result in a risk of injury.
- **When servicing a tool, use only identical replacement parts. Follow instructions in the Maintenance section of this manual.** Use of unauthorized parts or failure to follow Maintenance Instructions may create a risk of electric shock or injury.

Specific Safety Rules

- **Hold tool by insulated gripping surfaces when performing an operation where the cutting tool may contact hidden wiring or its own cord.** Contact with a "live" wire will make exposed metal parts of the tool "live" and shock the operator.
- **When working on a ladder or on scaffolding be sure to lay the tool down on its side when not in use.** Some tools with large battery packs will stand upright but may be easily knocked over.

WARNING: Some dust created by power sanding, sawing, grinding, drilling, and other construction activities contains chemicals known to cause cancer, birth defects or other reproductive harm. Some examples of these chemicals are:

- lead from lead-based paints,
- crystalline silica from bricks and cement and other masonry products, and
- arsenic and chromium from chemically-treated lumber (CCA).

Your risk from these exposures varies, depending on how often you do this type of work. To reduce your exposure to these chemicals: work in a well ventilated area, and work with approved safety equipment, such as those dust masks that are specially designed to filter out microscopic particles.

- **Avoid prolonged contact with dust from power sanding, sawing, grinding, drilling, and other construction activities. Wear protective clothing and wash exposed areas with soap and water.** Allowing dust to get into your mouth, eyes, or lay on the skin may promote absorption of harmful chemicals.

CAUTION: Wear appropriate hearing protection during use. Under some conditions and duration of use, noise from this product may contribute to hearing loss.

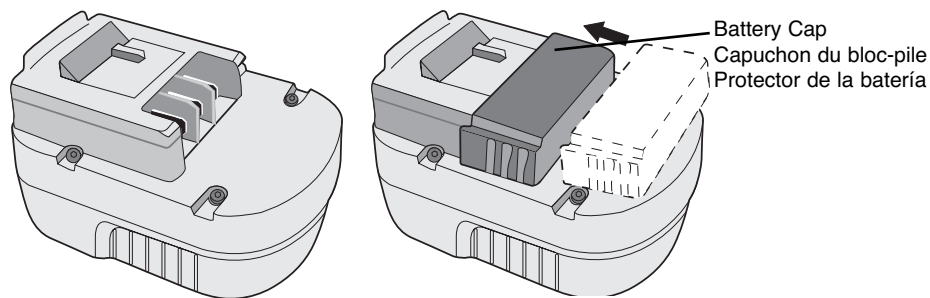
WARNING: Use of this tool can generate and/or disperse dust, which may cause serious and permanent respiratory or other injury. Always use NIOSH/OSHA approved respiratory protection appropriate for the dust exposure. Direct particles away from face and body.

The label on your tool may include the following symbols.

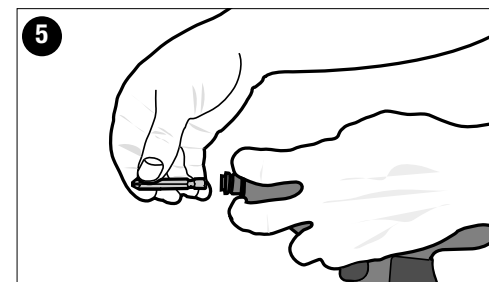
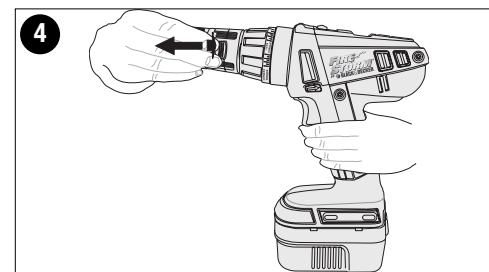
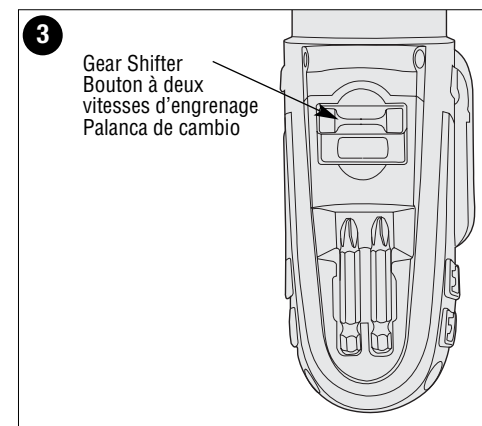
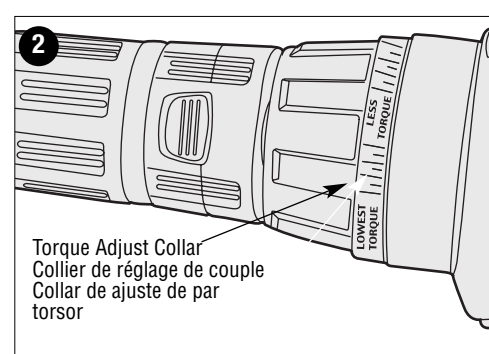
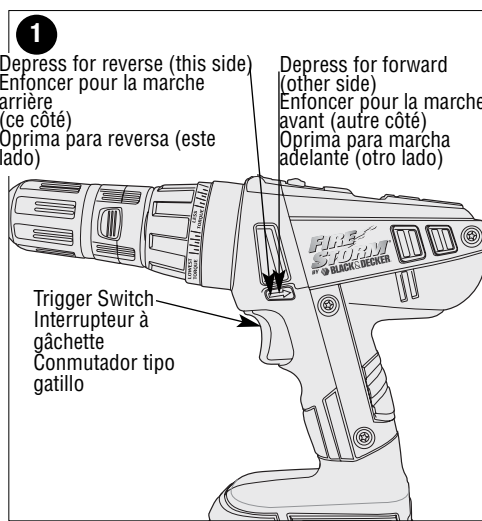
V	volts	A	amperes
Hz	hertz	W	watts
min	minutes	~	alternating current
— — —	direct current	n _o	no load speed
□	Class II Construction	⊕	earthing terminal
⚠	safety alert symbol	.../min	revolutions or reciprocations per minute

Battery Cap Information

Battery storage and carrying caps are provided for use whenever the battery is out of the tool or charger. Remove cap before placing battery in charger or tool.



WARNING: Do not store or carry battery so that metal objects can contact exposed battery terminals. For example, do not place battery in aprons, pockets, tool boxes, product kit boxes, drawers, etc. with loose nails, screws, keys, etc. without battery cap. Transporting batteries can possibly cause fires if the battery terminals inadvertently come in contact with conductive materials such as keys, coins, hand tools and the like. The US Department of Transportation Hazardous Material Regulations (HMR) actually prohibit transporting batteries in commerce or on airplanes (i.e. packed in suitcases and carryon luggage) UNLESS they are properly protected from short circuits. So when transporting individual batteries, make sure that the battery terminals are protected and well insulated from materials that could contact them and cause a short circuit.



⚠ Safety Warnings and Instructions: Charging the Drill

- This manual contains important safety and operating instructions.
- Before using battery charger, read all instructions and cautionary markings on (1) battery charger, (2) battery, and (3) product using battery.
- ⚠ CAUTION:** To reduce the risk of injury, charge only Black & Decker Battery Packs. Other types of batteries may burst causing personal injury and damage.
- Do not expose charger to rain or snow.
- Use of an attachment not recommended or sold by Black & Decker may result in a risk of fire, electric shock, or injury to persons.
- To reduce risk of damage to electric plug and cord, pull by plug rather than cord when disconnecting charger.
- Make sure cord is located so that it will not be stepped on, tripped over, or otherwise subjected to damage or stress.
- An extension cord should not be used unless absolutely necessary. Use of improper extension cord could result in a risk of fire, electric shock or electrocution.
- Two-wire cords can be used with 2-wire or 3-wire extension cords. Only round jacketed extension cords should be used, and we recommend that they be listed by Underwriters Laboratories (U.L.). If the extension is to be used outside, the cord must be suitable for outdoor use. Any cord marked for outdoor use can also be used for indoor work. The letters "W" or "WA" on the cord jacket indicate that the cord is suitable for outdoor use.
- An extension cord must have adequate wire size (AWG or American Wire Gauge) for safety, and to prevent loss of power and overheating. The smaller the gauge number of the wire, the greater the capacity of the cable; that is, 16 gauge has more capacity than 18 gauge. When using more than one extension to make up the total length, be sure each extension contains at least the minimum wire size.

**CHART FOR MINIMUM WIRE SIZE (AWG) OF EXTENSION CORDS
NAMEPLATE RATING AMPS – 0 – 10.0**

Total Extension Cord Length (ft)	25	50	75	100	125	150
Wire Gauge	18	18	16	16	14	14

- Use only the supplied charger when charging your drill. The use of any other charger could damage the drill or create a hazardous condition.
- Use only one charger when charging.
- Do not attempt to open the charger or the drill. There are no customer serviceable parts inside. Return to any authorized Black & Decker service center.
- DO NOT incinerate the drill or battery packs even if they are severely damaged or completely worn out. The batteries can explode in a fire.
- A small leakage of liquid from the battery cells may occur under extreme usage, charging or temperature conditions. This does not indicate a failure. However, if the outer seal is broken and this leakage gets on your skin:
 - Wash quickly with soap and water.
 - Neutralize with a mild acid such as lemon juice or vinegar.
 - If the battery liquid gets in your eyes, flush them with clean water for a minimum of 10 minutes and seek immediate medical attention. MEDICAL NOTE: The liquid is a 25-35% solution of potassium hydroxide.

FS1800D tool can accept any of the following 18V slide pack batteries and 18V slide pack chargers seen in the chart below. Please see the individual charger manuals for all safety and operating instructions.

18V Slide Pack Batteries

Cat. #	Description
FSB18	18V Firestorm Battery
FS180BX	18V FSXtreme Battery
FS18BX	18V FSXtreme Battery - 3 terminal
FS18SBX	18V FSXtreme Battery - Silver Series
HPB18	18V Black & Decker Battery

18V Slide Pack Chargers

Cat. #	Description
FS18C	18V Cup Charger
FS180DC	18V Dual Port Charger
FS18RC	18V Radio Charger
5104211-00	18V Three Port Charger
FSMVC	9.6V-18V Fast Charger
FS240FC	9.6V-24V One Hour Charger
FS2400DC	9.6V-24V Dual Port One Hour Charger

Important Charging Notes

- Longest life and best performance can be obtained if the battery pack is charged when the air temperature is between 65°F and 75°F (18°- 24°C). DO NOT charge the battery pack in an air temperature below +40°F(+4.5°C), or above +105°F (+40.5°C). This is important and will prevent serious damage to the battery pack.
- The charger and battery pack may become warm to touch while charging. This is a normal condition, and does not indicate a problem.
- If the battery pack does not charge properly — (1) Check power at receptacle by plugging in a lamp or other appliance. (2) Check to see if receptacle is connected to a light switch which turns power off when you turn out the lights. (3) Move charger and battery pack to a location where the surrounding air temperature is approximately 65°F - 75°F (18° - 24°C). (4) If charging problems persist, take or send the tool, battery pack and charger to your local service center.
- The battery pack should be recharged when it does not produce sufficient power on jobs which were easily done previously. DO NOT CONTINUE use under these conditions. Follow the charging procedures. You may also charge a partially used pack whenever you desire with no adverse affect on the battery pack.
- Black & Decker battery packs that are labeled "NiMH" should only be used with chargers labeled "NiMH" or "NiCd/NiMH."
- Under certain conditions, with the charger plugged into the power supply, the exposed charging contacts inside the charger can be shorted by foreign material. Foreign materials of a conductive nature such as, but not limited to, steel wool, aluminum foil, or any buildup of metallic particles should be kept away from charger cavities. Always unplug the charger from the power supply when there is no battery pack in the cavity. Unplug charger before attempting to clean.
- Do not immerse charger in water or any other liquid.
- This power unit is intended to be correctly orientated in a vertical or floor mounted position.

⚠ Safety Warnings and Instructions: Drills

- Hold drill firmly with one hand on the grip and the other hand on the bottom of the battery pack.
- When attaching accessories in the drill chuck, hand tighten the keyless chuck firmly. **⚠ WARNING:** Drill may stall (if overloaded or improperly used) causing a twist. Always expect the stall. Grip the drill firmly to control the twisting action and prevent loss of control which could cause personal injury. If a stall does occur, release the trigger immediately and determine the reason for the stall before re-starting.


Operating Instructions

Trigger Switch & Forward/Reverse Button - Figure 1

The drill is turned ON and OFF by pulling and releasing the trigger switch shown in **Figure 1**. The farther the trigger is depressed, the higher the speed of the drill. A forward/reverse control button determines the direction of the tool and also serves as a lock off button. To select forward rotation, release the trigger switch and depress the forward/reverse control button as depicted in **Figure 1**. To select reverse, depress the forward/reverse control button the opposite direction. The center position of the control button locks the tool in the off position. When changing the position of the control button, be sure the trigger is released.

Torque Control - Figure 2

This tool is fitted with a collar to select the operating mode and to set the torque for tightening screws. Large screws and hard workpiece materials require a higher torque setting than small screws and soft workpiece materials.

- For drilling in wood, metal and plastics, set the collar to the drilling position symbol .
- For screwdriving, set the collar to the desired setting. If you do not yet know the appropriate setting, proceed as follows:
 - Set the collar to the lowest torque setting.
 - Tighten the first screw.
 - If the clutch ratchets before the desired result is achieved, increase the collar setting and continue tightening the screw. Repeat until you reach the correct setting. Use this setting for the remaining screws.

Dual Range Gearing - Figure 3

The dual range feature of your drill allows you to shift gears for greater versatility. To select low speed, high torque setting (position 1), turn tool off and permit to stop. Slide gear shifter button away from the chuck. To select the high speed, low torque setting (position 2), turn tool off and permit to stop. Slide gear shifter button back (towards the chuck).

NOTE: Do not change gears when tool is running. If you are having trouble changing gears, make sure that the dual range gear button is either completely pushed forward or completely pushed back.

Keyless Chuck

To insert a drill bit or other accessory:

- Grasp the rear half of the chuck with one hand and use your other hand to rotate the front half in the counterclockwise direction, as viewed from the chuck end.
- Insert the bit or other accessory fully into the chuck, and tighten securely by holding the rear half of the chuck and rotating the front portion in the clockwise direction as viewed from the chuck end.

⚠ WARNING: Do not attempt to tighten drill bits (or any other accessory) by gripping the front part of the chuck and turning the tool on. Damage to the chuck and personal injury may occur when changing accessories.

Removable Chuck with Quick Connect™ Bit Change System - Figure 4

Another unique feature of your drill is the ability to remove the chuck quickly and easily. This allows for a drill bit to be in the keyless chuck, while another accessory such as a screwdriver bit, can be inserted into the Quick Connect™ hex shaft at the same time.

To remove the chuck:

- Grasp the drill and depress the two orange buttons on the chuck collar as shown in **Figure 4**.
- With the buttons depressed, pull straight out.

To replace the chuck:

- Push the quick connect chuck straight on with a slight twisting motion until you hear it click into place.

To insert a screwdriver bit into the Quick Connect™ hex shaft, push the bit in until you hear it click into place. To remove the bit, hold the drill as shown in **figure 5**. Push in evenly on the spring loaded disc with two fingers and pull the bit straight out.

Screw Driving

For driving fasteners, the reversing button should be pushed to the left. Use reverse (button pushed to the right) for removing fasteners. When moving from forward to reverse, or vice versa, always release the trigger switch first.

On Board Bit Storage

A bit storage slot is built-in to the area just above the battery.

Drilling

- Use sharp drill bits only.
- Support and secure work properly, as instructed in the Safety Instructions.
- Use appropriate and required safety equipment, as instructed in the Safety Instructions.
- Secure and maintain work area, as instructed in the Safety Instructions.
- Run the drill very slowly, using light pressure, until the hole is started enough to keep the drill bit from slipping out of it.
- Apply pressure in a straight line with the bit. Use enough pressure to keep the bit biting but not so much as to stall the motor or deflect the bit.
- Hold the drill firmly with one hand on the grip and the other hand on the bottom of the battery pack to control its twisting action.
- DO NOT CLICK THE TRIGGER OF A STALLED DRILL OFF AND ON IN AN ATTEMPT TO START IT. DAMAGE TO THE DRILL CAN RESULT.**
- Minimize stalling on breakthrough by reducing pressure and slowly drilling through the last part of the hole.
- Keep the motor running while pulling the bit out of a drilled hole. This will help reduce jamming.
- Make sure switch turns drill on and off.**

⚠ WARNING: It is important to support the work properly and to hold the drill firmly to prevent loss of control which could cause personal injury. If you have any questions on how to properly operate tool, call: **1-800-54-HOW-TO (544-6986)**.

Drilling in Wood

Holes in wood can be made with the same twist drill bits used for metal or with spade bits. These bits should be sharp and should be pulled out frequently when drilling to clear chips from the flutes.

Drilling in Metal

Use a cutting lubricant when drilling metals. The exceptions are cast iron and brass which should be drilled dry. The cutting lubricants that work best are sulfurized cutting oil or lard oil.

Drilling in Masonry

Use carbide tipped masonry bits. Refer to Drilling section. Keep even force on the drill but not so much that you crack the brittle material. A smooth, even flow of dust indicates the proper drilling rate.

Troubleshooting

Problem	Possible Cause	Possible Solution
• Unit will not start.	• Battery not installed properly. • Battery not charged.	• Check battery installation. • Check battery charging requirements.
	• Lock-off button actuated.	• Move lock-off button from center position.
• Battery will not charge.	• Battery not inserted into charger. • Charger not plugged in.	• Insert battery into charger until red LED appears. • Plug charger into a working outlet. Refer to "Important Charging Notes" for more details.

For assistance with your product, visit our website www.black&decker.com for the location of the service center nearest you or call the BLACK & DECKER help line at **1-800-544-6986**.

Maintenance

Use only mild soap and damp cloth to clean the tool. Never let any liquid get inside the tool; never immerse any part of the tool into a liquid.

An occasional application of a household oil to the Quick Connect™ hex shaft will help prevent rust.

IMPORTANT: To assure product SAFETY and RELIABILITY, repairs, maintenance and adjustment (other than those listed in this manual) should be performed by authorized service centers or other qualified service organizations, always using identical replacement parts.

The RBRC™ Seal

The RBRC™ (Rechargeable Battery Recycling Corporation) Seal on the nickel-cadmium battery (or battery pack) indicates that the costs to recycle the battery (or battery pack) at the end of its useful life have already been paid by Black & Decker. In some areas, it is illegal to place spent nickel-cadmium batteries in the trash or municipal solid waste stream and the RBRC program provides an environmentally conscious alternative.

RBRC in cooperation with Black & Decker and other battery users, has established programs in the United States and Canada to facilitate the collection of spent nickel-cadmium batteries. Help protect our environment and conserve natural resources by returning the spent nickel-cadmium battery to an authorized Black & Decker service center or to your local retailer for recycling. You may also contact your local recycling center for information on where to drop off the spent battery, or call **1-800-8-BATTERY**.

Accessories

Recommended accessories for use with your tool are available from your local dealer or authorized service center. If you need assistance regarding accessories, please call:

1-800-54-HOW-TO (544-6986).

⚠ WARNING: The use of any accessory not recommended for use with this tool could be hazardous.

The following accessories should be used only in the sizes specified below:

BITS, METAL DRILLING – Up to 3/8 in. (9.5mm); BITS, MASONRY DRILLING – Up to 3/8 in. (9.5mm); WOOD DRILLING – Up to 1/2 in. (12.7mm).



Service Information

All Black & Decker Service Centers are staffed with trained personnel to provide customers with efficient and reliable power tool service. Whether you need technical advice, repair, or genuine factory replacement parts, contact the Black & Decker location nearest you. To find your local service location, refer to the yellow page directory under "Tools—Electric" or call: **1-800-544-6986** or visit **www.blackanddecker.com**

Full Two-Year Home Use Warranty

Black & Decker (U.S.) Inc. warrants this product for two years against any defects in material or workmanship. The defective product will be replaced or repaired at no charge in either of two ways.

The first, which will result in exchanges only, is to return the product to the retailer from whom it was purchased (provided that the store is a participating retailer). Returns should be made within the time period of the retailer's policy for exchanges (usually 30 to 90 days after the sale). Proof of purchase may be required. Please check with the retailer for their specific return policy regarding returns that are beyond the time set for exchanges.

The second option is to take or send the product (prepaid) to a Black & Decker owned or authorized Service Center for repair or replacement at our option. Proof of purchase may be required. Black & Decker owned and authorized Service Centers are listed under "Tools-Electric" in the yellow pages of the phone directory.

This warranty does not apply to accessories. This warranty gives you specific legal rights and you may have other rights which vary from state to state or province to province. Should you have any questions, contact the manager of your nearest Black & Decker Service Center. This product is not intended for commercial use.

Free warning label replacement: If your warning labels become illegible or are missing, call 1-800-544-6986 for a free replacement.

Special Warranty Note to Contractors:

FIRESTORM™ branded products are offered as high end consumer home use tools and carry a **HOME USE WARRANTY**. These tools are designed, manufactured and tested to meet or exceed the needs of the do-it-yourselfer in the execution of projects and repairs in and around the home. With proper use they will provide the home owner with step up power and performance well beyond their two year warranty. However, if you use tools for a living and use FIRESTORM™ branded products or any of Black & Decker's other Consumer Home Use tools **ON THE JOBSITE** you should know that they **CANNOT BE COVERED UNDER OUR WARRANTY**.

Imported by
Black & Decker (U.S.) Inc.,
701 E. Joppa Rd.
Towson, MD 21286 U.S.A.



BlackandDecker.com
1-800-544-6986

See 'Tools-
Electric'
- Yellow Pages -
for Service & Sales



MERCI D'AVOIR CHOISI BLACK & DECKER!
VISITEZ WWW.BLACKANDDECKER.COM/NEOWNER
POUR ENREGISTRER VOTRE NOUVEAU PRODUIT.

**AVANT DE RETOURNER CE PRODUIT POUR QUELQUE
RAISON QUE CE SOIT, COMPOSER LE NUMÉRO
SUIVANT : 1 800 544-6986**

△ RÈGLES DE SÉCURITÉ GÉNÉRALES CONCERNANT LES OUTILS À PILES

△ **AVERTISSEMENT : LIRE, COMPRENDRE ET SUIVRE TOUTES LES DIRECTIVES** précisées ci-dessous afin d'éviter les risques de choc électrique, d'incendie ou de blessure grave.

CONSERVER CES DIRECTIVES

Aire de travail

- **Garder l'aire de travail propre et bien éclairée;** les établis encombrés et les endroits sombres sont propices aux accidents.
- **Ne pas utiliser les outils électriques dans une atmosphère explosive, comme à proximité de liquides, de gaz ou de poussières inflammables;** le moteur peut créer des étincelles et enflammer les vapeurs ou les poussières environnantes.
- **Tenir les enfants, les visiteurs ou toute autre personne à l'écart lorsqu'on utilise un outil électrique;** les distractions peuvent faire perdre la maîtrise de ce dernier.

Mesures de sécurité – Électricité

- **Ne pas utiliser le cordon de manière abusive; on ne doit pas transporter l'outil en le tenant par le cordon. On doit tenir le cordon à l'écart des sources de chaleur, de l'huile, des bords tranchants ou des pièces mobiles. Remplacer immédiatement les cordons endommagés,** car ces derniers peuvent causer un incendie.
- **Un outil à piles intégré ou à bloc-pile externe doit être rechargé seulement au moyen du chargeur approprié,** car un chargeur destiné à une pile particulière peut entraîner un risque d'incendie lorsqu'il est utilisé avec une autre.
- **N'utiliser l'outil à piles qu'avec le bloc-pile désigné,** car l'utilisation d'un autre type de piles peut entraîner un risque d'incendie.

Sécurité personnelle

- **Rester vigilant en tout temps et faire preuve de jugement lorsqu'on utilise un outil électrique. Ne pas utiliser l'outil lorsqu'on est fatigué ou sous l'influence de drogues, d'alcool ou de médicaments,** car un moment d'inattention pourrait entraîner des blessures graves.
- **Porter des vêtements appropriés. Ne pas porter des vêtements amples ou des bijoux. Couvrir ou attacher les cheveux longs. Garder les cheveux, les vêtements, les bijoux et les gants éloignés des pièces mobiles,** car ceux-ci peuvent s'y coincer. Se tenir éloigné des événements puisque ces derniers pourraient camoufler des pièces mobiles.
- **Éviter les démarrages accidentels; s'assurer que l'interrupteur est en position de verrouillage ou d'arrêt avant d'insérer le bloc-pile dans l'outil.** Ne pas transporter l'outil en laissant le doigt sur l'interrupteur ni y insérer le bloc-pile lorsque l'interrupteur est en position de marche, car cela pourrait causer un accident.
- **Retirer les clés de réglage avant de démarrer l'outil.** Une clé laissée sur une pièce rotative pourrait entraîner des blessures.
- **Ne pas trop étendre les bras. Les pieds doivent rester ancrés fermement au sol afin de maintenir son équilibre en tout temps** et de mieux maîtriser l'outil dans des situations imprévues.
- **Utiliser le matériel de sécurité approprié; toujours porter des lunettes de protection.** Porter un masque anti-poussières, des chaussures antidérapantes, un casque de sécurité ou des protecteurs auditifs lorsque la situation le requiert.

Utilisation et entretien de l'outil

- **Fixer et soutenir la pièce sur une plate-forme stable au moyen d'une bride de serrage ou de tout autre dispositif semblable.** La pièce est instable lorsqu'on la retient manuellement ou qu'on l'appuie contre le corps, ce qui pourrait faire perdre la maîtrise de l'outil.
- **Ne pas forcer l'outil ni l'utiliser pour des travaux autres que ceux pour lesquels il a été conçu.** Pour obtenir de meilleurs résultats et prévenir les risques de blessure, laisser l'outil couper à la vitesse pour laquelle il a été conçu.
- **Ne pas utiliser l'outil lorsque l'interrupteur marche-arrêt ne fonctionne pas.** Un outil qui ne peut être commandé au moyen de l'interrupteur est dangereux et doit être réparé.
- **Débrancher le bloc-pile de l'outil ou mettre l'interrupteur en position de verrouillage ou d'arrêt avant d'effectuer un réglage, de changer les accessoires ou de ranger l'outil;** ces mesures de sécurité préventives réduisent les risques de démarrage accidentel.
- **Lorsqu'on n'utilise pas l'outil, le ranger hors de la portée des enfants ou des personnes non qualifiées.** Les outils sont dangereux entre les mains de personnes inexpérimentées.
- **Lorsqu'on n'utilise pas le bloc-pile, le ranger à l'écart des objets métalliques tels que les trombones, les pièces de monnaie, les clés, les clous, les vis ou autres petits objets susceptibles de conduire l'électricité entre les bornes** et d'occasionner ainsi un court-circuit pouvant provoquer des étincelles, des brûlures ou un incendie.
- **Bien entretenir l'outil; s'assurer qu'il est toujours bien propre et aiguisé.** Les outils bien entretenus et dont les bords sont bien tranchants sont moins susceptibles de rester coincés et sont plus faciles à maîtriser.
- **Vérifier les pièces mobiles afin de s'assurer qu'elles sont bien alignées et qu'elles ne restent pas coincées. Vérifier également les pièces afin de s'assurer qu'il n'y a aucun bris ni aucune autre condition susceptible de nuire au bon fonctionnement de l'outil. Faire réparer l'outil si ce dernier est endommagé avant de s'en servir à nouveau,** car les accidents sont souvent causés par des outils mal entretenus.
- **N'utiliser que les accessoires recommandés par le fabricant pour le modèle concerné.** Un accessoire destiné à un outil particulier peut être dangereux lorsqu'il est utilisé avec un autre.

Entretien

- **L'outil doit être entretenu par le personnel qualifié seulement;** toute maintenance effectuée par une personne non qualifiée pourrait entraîner des risques de blessure.
- **Lors de l'entretien, n'utiliser que des pièces de rechange identiques et suivre les directives précisées à la section « Entretien » du présent guide** afin de prévenir les risques de choc électrique ou de blessure.

△ Consignes de sécurité particulières

- **Tenir l'outil par les surfaces isolées prévues à cette fin lorsqu'il risque d'entrer en contact avec des fils cachés ou son propre cordon,** car de tels contacts peuvent mettre les pièces métalliques de l'outil sous tension, engendrant des risques de choc électrique.
- **Lorsqu'on est installé sur une échelle ou un échafaudage pour travailler, on doit déposer l'outil sur le côté lorsqu'on ne s'en sert plus.** Bien que certains outils munis d'un gros bloc-pile puissent être placés à la verticale, dans cette position, ils peuvent facilement être renversés.
- △ **AVERTISSEMENT : Certains outils électriques, tels que les sableuses, les scies, les meules, les perceuses ou certains autres outils de construction, peuvent produire de la poussière contenant des produits chimiques susceptibles d'entraîner le cancer, des malformations congénitales ou pouvant être nocifs pour le système reproductif. Parmi ces produits chimiques, on retrouve :**
 - le plomb dans les peintures à base de plomb,
 - la silice cristalline dans les briques et le ciment et autres produits de maçonnerie,
 - l'arsenic et le chrome dans le bois de sciage ayant subi un traitement chimique (comme l'arséniolate de cuivre et de chrome).

Le risque associé à de telles expositions varie selon la fréquence avec laquelle on effectue ces travaux. Pour réduire l'exposition à de tels produits, il faut travailler dans un endroit bien aéré et utiliser le matériel de sécurité approprié, tel un masque anti-poussières spécialement conçu pour filtrer les particules microscopiques.

- **Éviter tout contact prolongé avec la poussière soulevée par cet outil ou autres outils électriques. Porter des vêtements de protection et nettoyer les parties exposées du corps à l'eau savonneuse.** S'assurer de bien se protéger afin d'éviter d'absorber par la bouche, les yeux ou la peau des produits chimiques nocifs.
- △ **MISE EN GARDE : Porter un appareil de protection personnel anti-bruit approprié durant l'utilisation.** Sous certaines conditions et pendant toute la durée de l'utilisation, le bruit émanant de ce produit pourrait contribuer à la perte d'audition.
- △ **AVERTISSEMENT : Cet outil peut produire et répandre de la poussière susceptible de causer des dommages sérieux et permanents au système respiratoire.** Toujours utiliser un appareil respiratoire anti-poussières approprié approuvé par le NIOSH ou l'OSHA. Diriger les particules dans le sens opposé du visage et du corps.

L'étiquette de l'outil peut comporter les symboles suivants.

V	volts	A	ampères
Hz	hertz	W	watts
min	minutes	~	courant alternatif
— — —	courant continu	∅	sous vide
□	Construction de classe II	⊕	borne de mise à la minute
△	symbole d'avertissement	.../min	tours à la minute

Information concernant le capuchon du bloc-pile

Un capuchon est fourni avec le bloc-pile en vue d'être utilisé chaque fois qu'on retire ce dernier de l'outil ou du chargeur en vue de le ranger ou de le transporter; enlever le capuchon avant de remettre le bloc-pile dans le chargeur ou dans l'outil.

- △ **AVERTISSEMENT :** S'assurer, au moment de ranger ou de transporter un bloc-pile ou une pile, qu'aucun objet métallique n'entre en contact avec leurs bornes à découvert de celui-ci. Par exemple, il faut éviter de placer un bloc-pile ou une pile sans capuchon dans un tablier, une poche, une boîte à outils ou un tiroir (etc.) contenant des objets tels que des clous, des vis ou des clés, car tout contact entre les bornes à découvert et un objet métallique comme une clé, une pièce de monnaie, un outil à main, etc. pourrait causer un incendie. En effet, les règlements américains Hazardous Material Regulations (HMR) du US Department of Transportation interdisent le transport d'un bloc-pile ou d'une pile dans tout moyen de transport commercial ou aéronef (que ce soit dans une valise ou le bagage de cabine) SAUF s'ils sont bien protégés contre les courts-circuits. On doit donc s'assurer, lorsqu'on transporte un bloc-pile ou une pile séparément, de bien protéger et isoler les bornes contre tout matériau qui risque d'entrer en contact avec eux et de causer un court-circuit.

△ Directives et consignes de sécurité concernant le chargement de la perceuse

1. Le présent guide comprend d'importantes directives, dont un mode d'emploi et des consignes de sécurité.
2. Avant d'utiliser le chargeur, lire toutes les directives et les étiquettes de mise en garde apposées sur (1) le chargeur, (2) la pile et (3) le produit utilisant la pile.
3. △ **MISE EN GARDE :** Afin de réduire les risques de blessure, ne charger que des bloc-piles Black & Decker, car les autres peuvent éclater et entraîner des blessures ou des dommages matériels.
4. Ne pas exposer le chargeur à la pluie ou à la neige.
5. L'utilisation d'un accessoire n'étant ni recommandé ni vendu par Black & Decker peut entraîner des risques d'incendie, de choc électrique ou de blessure.
6. Afin de réduire les risques de dommage à la fiche ou au cordon électrique, débrancher le chargeur en saisissant la fiche, non le cordon.
7. S'assurer que le cordon est placé de manière à éviter qu'il ne subisse des dommages ou des contraintes ou que les personnes s'y prennent les pieds et trébuchent.
8. Ne pas utiliser de rallonge à moins que cela ne soit absolument nécessaire, car l'usage d'une rallonge ayant une puissance inadéquate pourrait causer des risques d'incendie, de choc électrique ou d'électrocution.
- a. Bien qu'on puisse utiliser un cordon bifilaire avec une rallonge bifilaire ou trifilaire, on ne doit utiliser qu'une rallonge à cordon; on recommande que celle-ci soit approuvée par l'organisme américain Underwriters Laboratories (UL). Lorsqu'on utilise un outil électrique à l'extérieur, on ne doit utiliser que des rallonges conçues pour cet usage, comme celles de type W-A ou W. Toute rallonge conçue pour un usage extérieur peut aussi être employée à l'intérieur.
- b. Afin d'éviter une perte de puissance ou une surchauffe et d'assurer la sécurité de l'utilisateur, la rallonge doit être de calibre AWG approprié. Plus le calibre est petit, plus la capacité est grande; autrement dit, une rallonge de calibre 16 est plus puissante qu'une rallonge de calibre 18. Lorsqu'on utilise plusieurs rallonges pour obtenir la longueur voulue, s'assurer que chacune d'elles présente les valeurs minimales requises.

CALIBRE MINIMAL RECOMMANDÉ DES RALLONGES (INTENSITÉ NOMINALE DE 0,0 À 10,0 AMPÈRES)

Longueur totale de la rallonge (en mètres)	7,6	15,2	22,9	30,5	38,1	45,7
Calibre AWG	18	18	16	16	14	14

9. Ne charger l'outil qu'au moyen du chargeur fourni, car l'usage de tout autre dispositif pourrait endommager l'outil ou engendrer une situation dangereuse.
10. N'utiliser qu'un seul chargeur durant le chargement.
11. Ne pas ouvrir le chargeur ni la perceuse; ces derniers ne contiennent aucune pièce pouvant être réparée par le client et doivent être retournés à un centre de service Black & Decker, le cas échéant.
12. NE PAS incinérer la perceuse ou le bloc-pile, y compris ceux gravement endommagés ou complètement déchargés, car ils peuvent exploser en présence de flammes.
13. Les cellules peuvent subir une fuite légère par suite d'un usage extrême, du chargement ou d'une exposition à certaines températures; cela n'indique pas un problème. Cependant, si le scellant externe est percé et le liquide entre en contact avec la peau, on doit:
 - a. se laver rapidement la partie du corps touchée avec de l'eau savonneuse;
 - b. neutraliser l'effet au moyen d'un acide doux tel que du jus de citron ou du vinaigre;
 - c. si les yeux sont touchés, les rincer à fond avec de l'eau propre pendant au moins 10 minutes et consulter immédiatement un médecin. **REMARQUE AUX FINS MÉDICALES :** ce liquide contient une solution composée de 25 à 35 % d'hydroxyde de potassium.

L'outil FS1800D FS1800PHS utilise n'importe quels blocs-piles 18 V et chargeurs de blocs-piles 18 V indiqués dans le tableau ci-dessous. Veuillez consulter les modes d'emploi spécifiques à chaque chargeur pour les mesures de sécurité et les directives de fonctionnement.

Bloc-piles coulissants de 18 V		Chargeurs pour bloc-piles coulissants de 18 V	
No. de cat.	Description	No. de cat.	Description
FSB18	Pile Firestorm de 18 v	FS18C	Chargeur-cuvette de 18 v
FS180BX	Pile FSXtreme de 18 v	FS180DC	Chargeur à double sorties de 18 v
FS18BX	Pile FSXtreme 18 V - 3 bornes	FS18RC	Chargeur-radio de 18 v
FS18SBX	Pile FSXtreme série Silver de 18 v	5104211-00	Chargeur à triple sorties de 18 v
HPB18	Pile Black & Decker de 18 v	FSMVC	Chargeur rapide de 9,6 v à 18 v
		FS240FC	Chargeur une heure de 9,6 v à 24 v
		FS2400DC	Chargeur une heure à double sorties de 9,6 v à 24 v

Remarques importantes de chargement

- Pour augmenter la durée de vie du bloc-piles et optimiser son rendement, le charger à une température entre 18 et 24 °C (65 et 75 °F). NE PAS charger le bloc-piles à des températures inférieures à 4,5 °C (40 °F) ou supérieures à 40,5 °C (105 °F). Ces consignes sont importantes et permettent d'éviter d'endommager le bloc-piles.
- Le chargeur et le bloc-piles peuvent devenir chaud au toucher pendant la charge. C'est un état normal et n'indique pas la présence d'un problème.
- Si la batterie ne se charge pas normalement – (1) Vérifier la prise de courant en y enfichant une lampe ou un autre appareil électrique; (2) Vérifier si la prise est reliée à un interrupteur qui coupe le courant au moment d'éteindre la lumière; (3) Installer le chargeur et le bloc-piles dans un endroit où la température ambiante est d'environ 18 à 24 °C (65 à 75 °F) ou; (4) Si le problème persiste, retourner l'outil, le bloc-piles et le chargeur au centre de réparation de votre région.
- Lorsque le bloc-piles n'arrive pas à produire suffisamment de puissance pour des travaux qui étaient facilement réalisés auparavant, il doit être rechargé. CESSER DE L'UTILISER sous ces conditions. Suivre les consignes de chargement. On peut également recharger en tout temps un bloc-piles partiellement déchargé sans nuire à son fonctionnement.
- Les blocs-piles de Black & Decker étiquetés « NiMH » s'utilisent uniquement avec les chargeurs étiquetés « NiMH » ou « NiCd/NiMH ».
- Sous certaines conditions, lorsque le chargeur est branché au bloc d'alimentation, les contacts de chargement exposés à l'intérieur du chargeur peuvent être court-circuités par des corps étrangers. Des matières étrangères conductrices telles que notamment la laine d'acier, la feuille d'aluminium ou toute accumulation de particules métalliques devraient être tenus à l'écart des cavités du chargeur. Débrancher systématiquement celui-ci si aucun bloc-piles n'y est inséré ou avant de le nettoyer.
- Ne pas immerger le chargeur dans l'eau ou dans tout autre liquide.
- Ce bloc d'alimentation est correctement orienté supporté dans une position verticale ou au plancher.

Directives et consignes de sécurité concernant la perceuse

- Tenir fermement la perceuse en saisissant la poignée d'une main et en plaçant l'autre main sur la partie inférieure du bloc-pile.
- Lorsqu'on utilise un mandrin sans clé, on doit le serrer fermement à la main.
 - AVERTISSEMENT** : La perceuse peut caler (à la suite d'une surcharge ou d'un mauvais usage) et causer un mouvement de torsion; on doit toujours prévoir un tel incident. Saisir la perceuse fermement afin de maîtriser la torsion de cette dernière et d'éviter de perdre la maîtrise, ce qui pourrait entraîner des blessures. Si la perceuse cale, relâcher immédiatement la gâchette et en déterminer la cause avant de redémarrer l'outil.

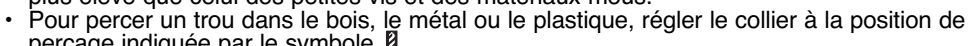
Mode d'emploi

Interrupteur à gâchette et bouton de commande de marche avant ou marche arrière - Figure 1

Pour mettre la perceuse en position de marche ou d'arrêt, il suffit de tirer sur l'interrupteur à gâchette, puis de le relâcher, tel qu'illustré à la **figure 1**. Plus on appuie sur la gâchette, plus la vitesse est élevée. Un bouton de commande de marche avant-arrière, qui sert aussi de bouton de verrouillage en position d'arrêt, détermine la direction de marche de l'outil. Pour sélectionner la position de marche avant, relâcher l'interrupteur à gâchette et enfoncer le bouton de commande, tel qu'illustré à la **figure 1**. Pour sélectionner la position de marche arrière, appuyer sur le même bouton pour choisir la direction opposée. La position centrale du bouton sert à verrouiller l'outil en position d'arrêt. On doit toujours relâcher la gâchette lorsqu'on change la position du bouton.

Régulateur de couple - Figure 2

L'outil est doté d'un collier qui permet de choisir le mode de fonctionnement et de serrer les vis selon le couple voulu. Le réglage des grosses vis et des matériaux durs doit être plus élevé que celui des petites vis et des matériaux mous.

- Pour percer un trou dans le bois, le métal ou le plastique, régler le collier à la position de perçage indiquée par le symbole .
- Pour utiliser l'outil comme tournevis, régler le collier à la position voulue. Si on ne connaît pas encore la position correcte, procéder comme suit :
- Régler le collier à la plus basse position.
- Serrer la première vis.
- Si l'embrayage de l'outil se met à encliqueter avant que la vis ne soit bien ancrée, tourner le collier vers une position plus élevée et enfoncer complètement la vis. Continuer de tourner le collier jusqu'à la position voulue. Conserver ce réglage pour serrer les autres vis.

Bouton à deux vitesses d'engrenage - figure 3

Le bouton à deux vitesses d'engrenage permet de changer la vitesse d'engrenage, rendant ainsi l'outil encore plus polyvalent. Pour sélectionner la basse vitesse à couple élevé (position 1), arrêter l'outil et attendre qu'il s'arrête complètement, puis glisser le bouton vers l'avant, dans la direction opposée du mandrin. Pour sélectionner la haute vitesse à couple faible (position 2), arrêter l'outil et attendre qu'il s'arrête complètement, puis glisser le bouton vers l'arrière, en direction du mandrin.

REMARQUE : Ne pas changer la vitesse d'engrenage lorsque l'outil est en marche. Si on éprouve de la difficulté à modifier cette dernière, s'assurer que le bouton est poussé complètement vers l'avant ou vers l'arrière, selon le cas.

Mandrin sans clé

Pour insérer une mèche ou tout autre accessoire, on doit :

- saisir la partie arrière du mandrin d'une main et utiliser l'autre pour faire tourner la partie avant vers la gauche (lorsqu'on la regarde à partir de l'extrémité du mandrin);
 - insérer la mèche ou l'accessoire dans le mandrin et serrer fermement en saisissant le collier situé derrière le mandrin (comportant les deux boutons orange) et en faisant tourner le collier vers la droite (lorsqu'on la regarde à partir de l'extrémité du mandrin).
- AVERTISSEMENT** : ne pas serrer la mèche (ou l'accessoire) en saisissant la partie avant du mandrin et en faisant fonctionner l'outil, ce qui aurait pour effet d'endommager le mandrin ou de blesser l'utilisateur lorsqu'il change les accessoires.

Mandrin détachable à fixation rapide quick connect^{MC} – figure 4

La perceuse comprend également un dispositif qui permet de retirer le mandrin rapidement et facilement afin de pouvoir insérer une mèche de perceuse dans le mandrin sans clé et d'insérer en même temps un autre type d'accessoire, tel qu'une mèche de tournevis, dans la tige hexagonale Quick Connect^{MC}.

Pour retirer le mandrin, on doit :

- saisir la perceuse et enfoncer les deux boutons orange situés sur le collier du mandrin, tel qu'illustré à la **figure 4**;
- sortir le mandrin en le tirant en ligne droite et en gardant les boutons enfoncés.

Pour remplacer le mandrin, il faut :

- insérer le mandrin à fixation rapide en le poussant tout droit, puis en le tournant légèrement jusqu'à ce qu'il s'enclenche fermement. Pour insérer une mèche de tournevis dans la tige hexagonale Quick Connect^{MC}, la pousser jusqu'à ce qu'elle s'enclenche fermement. Pour la retirer, tenir la perceuse tel qu'illustré à la **figure 5**, puis pousser uniformément sur le disque à ressort avec deux doigts et sortir la mèche en la tirant en ligne droite.

Mode tournevis

Pour enfoncer des attaches, pousser le bouton de commande de marche arrière vers la gauche; pousser le bouton vers la droite pour les retirer. On doit toujours relâcher l'interrupteur à gâchette lorsqu'on change la position du bouton de la marche avant à la marche arrière, ou vice versa.

Compartiment de rangement intégré

Un petit compartiment est intégré dans la section située juste au-dessus de la pile afin d'y ranger les mèches.

Mode perçage

- Utiliser des mèches aiguës seulement.

- Bien soutenir et fixer la pièce, conformément aux consignes de sécurité.
- Utiliser le matériel de sécurité approprié, conformément aux consignes de sécurité.
- Garder l'aire de travail propre et sécuritaire, conformément aux consignes de sécurité.
- Faire fonctionner la perceuse très lentement en exerçant une légère pression, jusqu'à ce que le trou soit suffisamment profond pour empêcher la mèche d'en sortir.
- Appliquer une pression en ligne droite au moyen de la mèche en exerçant juste assez de pression pour permettre à la mèche de mordre dans la pièce, en évitant de caler le moteur ou de faire dévier la mèche.
- Tenir fermement la perceuse en saisissant la poignée d'une main et en plaçant l'autre main sur la partie inférieure du bloc-pile afin de maîtriser la torsion de l'outil.
- NE PAS ENFONCER ET RELÂCHER LA GÂCHETTE À PLUSIEURS REPRISES POUR ESSAYER DE REDÉMARRER LA PERCEUSE AFIN D'ÉVITER DE L'ENDOMMAGER**
- Réduire les risques de calage au minimum en réduisant la pression lorsque la mèche perce le matériau et en perçant lentement la dernière section du trou.
- Maintenir le moteur en marche lorsqu'on retire la mèche du trou percé afin d'éviter qu'elle reste coincée.
- S'assurer que l'interrupteur puisse mettre la perceuse en position de marche ou d'arrêt.**

Perçage du bois

On peut percer le bois au moyen des mèches hélicoïdales qu'on utilise pour le métal ou de mèches à vrille. On doit utiliser des mèches bien aiguës et les sortir fréquemment pour enlever les copeaux restés coincés dans les cannelures.

Perçage du métal

Utiliser une huile de coupe lorsqu'on perce des métaux, à l'exception de la fonte et du laiton, car ces derniers doivent être percés à sec. Pour cette tâche, les meilleurs lubrifiants sont l'huile sulfurée et l'huile de lard.

Perçage de la maçonnerie

Utiliser des mèches à pointe carburée (voir la section « Mode perçage »). Maintenir une pression uniforme sur la perceuse, sans trop forcer pour éviter de fissurer les matériaux plus cassants. La vitesse choisie est appropriée lorsque la poussière est soulevée uniformément et régulièrement.

Dépannage

Problème

- L'appareil refuse de démarrer.

Cause possible

- Mauvaise installation de la batterie.
- Pile non chargée.

Solution possible

- Vérifier l'installation de la batterie.
- Vérifier les exigences de charge pour la pile.
- Déplacer le bouton de verrouillage en position centrale.
- Insérer la pile dans le chargeur de sorte que le voyant DEL rouge apparaisse.
- Brancher le chargeur dans une prise qui fonctionne. Se reporter à la rubrique « Remarques importantes de chargement » pour plus de renseignements.

- La pile ne se charge pas.

- Chargeur non branché.

Pour de l'aide avec l'outil, consulter notre site Web www.black&decker.com pour l'emplacement du centre de réparation le plus près ou communiquer avec l'assistance BLACK & DECKER au **1-800-544-6986**.

Entretien

Nettoyer l'outil au moyen d'un savon doux et d'un linge humide seulement. Ne jamais laisser de liquide s'infiltrer à l'intérieur de l'outil ni tremper ce dernier dans un liquide quelconque.

Une application occasionnelle d'huile domestique sur la tige hexagonale à fixation rapide Quick Connect^{MC} aidera à prévenir la rouille.

IMPORTANT : pour assurer la SÉCURITÉ et la FIABILITÉ de ce produit, toutes les opérations de réparation, d'entretien et de réglage (autres que celles décrites aux présentes) doivent être effectuées dans un centre de service autorisé ou par du personnel qualifié; on ne doit utiliser que des pièces de rechange identiques.

Sceau RBRC^{MC}

Le sceau RBRC^{MC} de la Rechargeable Battery Recycling Corporation apposé sur la pile au nickel-cadmium (ou le bloc-pile) indique que les coûts de recyclage de ce dernier à la fin de sa vie utile ont déjà été payés par Black & Decker. En certains endroits, la mise au rebut ou aux ordures municipales des piles au nickel-cadmium est illégale; le programme de «RBRC» constitue donc une solution des plus pratiques et écologiques. La «RBRC», en collaboration avec Black & Decker et d'autres utilisateurs de piles, a mis sur pied des programmes aux États-Unis et au Canada dans le but de faciliter la collecte des piles déchargées. Black & Decker encourage ses utilisateurs à participer à son programme de protection de l'environnement et de conservation des ressources naturelles en retournant les piles usagées à un centre de service Black & Decker autorisé ou chez un dépositaire local afin qu'elles puissent être recyclées. On peut en outre se renseigner auprès d'un centre de recyclage local pour connaître d'autres sites les acceptant, ou composer le **1 800 8-228-8379 (1-800-8-BATTERY)**



Accessoires

Les accessoires recommandés pour cet outil sont vendus séparément chez les dépositaires locaux ou dans les centres de service autorisés. Pour obtenir plus d'information sur les accessoires, composer le **1-800-544-6986**.

AVERTISSEMENT : l'usage d'un accessoire non recommandé peut présenter un danger. On ne doit utiliser que des accessoires ayant les dimensions précisées ci-dessous : MÈCHES À MÉTAL – jusqu'à 9,5 mm (3/8 po); MÈCHES À MAÇONNERIE – jusqu'à 9,5 mm (3/8 po); MÈCHES À BOIS – jusqu'à 12,7 mm (1/2 po).

Information sur les services

Tous les centres de service Black & Decker sont dotés de personnel qualifié en matière d'outillage électrique; ils sont donc en mesure d'offrir à leur clientèle un service efficace et fiable. Pour obtenir un conseil technique ou une pièce d'origine ou pour faire réparer un outil, on peut communiquer avec le centre Black & Decker le plus près. Pour obtenir le numéro de téléphone, consulter les pages jaunes sous la rubrique «Outils - électriques», ou composer le **1 800 544-6986** ou encore, visiter notre site Web au www.blackanddecker.com.

Garantie complète de deux ans pour usage résidentiel

Black & Decker (U.S.) Inc. garantit ce produit pour une période de deux ans contre tout défaut de matériel ou de fabrication. Le produit défectueux sera remplacé ou réparé sans frais, suivant l'une des deux méthodes suivantes.

La première méthode consiste en un échange seulement. On doit retourner le produit au détaillant qui l'a vendu (pourvu qu'il s'agisse d'un détaillant participant), en respectant les délais stipulés dans sa politique relative aux échanges (normalement de 30 à 90 jours après la vente). Une preuve d'achat peut être requise. On doit vérifier la politique de retour du détaillant pour tout produit retourné après le délai prescrit pour les échanges.

La deuxième méthode consiste à apporter ou à envoyer le produit (prépayé) à un centre Black & Decker ou à un centre de service autorisé aux fins de réparation ou de remplacement, selon notre choix. Une preuve d'achat peut être requise. Les centres Black & Decker et les centres de service autorisés sont répertoriés dans les pages jaunes sous la rubrique «Outils - électriques».

Cette garantie ne s'applique pas aux accessoires. Elle confère des droits légaux particuliers à l'acheteur, mais celui-ci pourrait aussi bénéficier d'autres droits variant d'un état ou d'une province à l'autre.

Toute question doit être adressée au gérant du centre Black & Decker le plus près. Ce produit n'est pas destiné à un usage commercial.

Remplacement gratuit de l'étiquette d'avertissement :

En cas de perte ou d'endommagement des étiquettes d'avertissement, composer le **1 800 544-6986** afin d'en obtenir de nouvelles sans frais.

Remarque à l'intention des entrepreneurs concernant la garantie spéciale

Les produits de marque FIRESTORM^{MC} sont des outils hauts de gamme destinés aux consommateurs et comportent une **GARANTIE POUR USAGE RÉSIDENTIEL**. Ces outils sont conçus, fabriqués et mis à l'essai en vue de répondre aux besoins du bricoleur, ou de les dépasser, lorsque ce dernier réalise des projets ou effectue des réparations à l'intérieur ou à l'extérieur de sa résidence. Utilisés correctement, ces outils procurent à l'utilisateur un rendement et une puissance supérieurs qui excèdent de loin la période de garantie de deux ans. Par contre, tout outil utilisé à des fins commerciales ou tout produit de marque FIRESTORM^{MC} ou tout autre produit Black & Decker destiné aux consommateurs et réservé à un usage résidentiel, utilisé dans le cadre d'une **ACTIVITÉ RELIÉE AU TRAVAIL, N'EST PAS COUVERT PAR LA PRÉSENTE GARANTIE.**

Imported by / Importé par
Black & Decker Canada Inc.
100 Central Ave.
Brockville (Ontario) K6V 5W6

Voir la rubrique «Outils électriques»
des Pages Jaunes
pour le service et les ventes.



**¡GRACIAS POR ELEGIR BLACK & DECKER!
VAYA A WWW.BLACKANDDECKER.COM/NEWOWNER
PARA REGISTRAR SU NUEVO PRODUCTO.**

**ANTES DE DEVOLVER ESTE PRODUCTO POR
CUALQUIER MOTIVO, LLAME AL (55) 5326-7100**

⚠️ NORMAS GENERALES DE SEGURIDAD – PARA TODAS LAS HERRAMIENTAS QUE FUNCIONAN CON BATERÍA

⚠️ ADVERTENCIA! LEA TODAS LAS INSTRUCCIONES HASTA COMPRENDERLAS.
No ajustarse a las instrucciones siguientes puede ser causa de choque eléctrico, incendio o lesiones graves.

CONSERVE ESTAS INSTRUCCIONES

Área de trabajo

- **Mantenga el área de trabajo limpia y bien iluminada.** Las bancadas desordenadas y las zonas oscuras propician los accidentes.
- **No opere herramientas eléctricas en atmósferas explosivas, como en presencia de líquidos, gases o polvos inflamables.** Las herramientas eléctricas producen chispas que pueden originar la ignición del polvo o los vapores.
- **Mientras opere una herramienta eléctrica, mantenga lejos a los observadores, niños y visitantes.** Las distracciones pueden ocasionar que pierda el control.

Seguridad eléctrica

- **No maltrate el cable. Nunca lleve la herramienta por el cable. Mantenga el cable alejado de las fuentes de calor, el aceite, las orillas afiladas o las piezas en movimiento. Cambie inmediatamente los cables dañados.** Los cables dañados pueden provocar un incendio.
- **Una herramienta que funciona con baterías integrales o con una batería separada sólo debe recargarse con el cargador de baterías especificado.** Un cargador puede ser adecuado para un tipo de baterías y, sin embargo, crear riesgo de incendio cuando se usa con otras.
- **Las herramientas que operan con baterías se deben utilizar sólo con baterías diseñadas especialmente.** La utilización de otras baterías comporta riesgo de incendio.

Seguridad personal

- **Al utilizar una herramienta eléctrica, esté atento, concéntrese en lo que hace y aplique el sentido común. No utilice la herramienta si se encuentra fatigado o bajo la influencia de drogas, alcohol o fármacos.** Mientras se utilizan herramientas eléctricas, basta un instante de distracción para sufrir lesiones graves.
- **Lleve ropa adecuada. No utilice ropa suelta ni joyas. Recójase el cabello largo. Mantenga el cabello, la ropa y los guantes apartados de las piezas en movimiento.** Las partes móviles pueden atrapar las prendas de vestir sueltas, las joyas y el cabello. Los orificios de ventilación suelen cubrir piezas en movimiento, por lo que también se deben evitar.
- **Evite puestas en marcha accidentales. Antes de insertar la batería asegúrese de que el interruptor esté en posición de bloqueo o apagado.** Transportar herramientas con el dedo sobre el interruptor o insertar la batería en la herramienta con el interruptor encendido favorece los accidentes.
- **Antes de poner en marcha la herramienta, retire las llaves de ajuste.** Una llave que se deje en una pieza giratoria de la herramienta puede provocar lesiones.
- **No ponga en peligro su estabilidad. Manténgase siempre bien apoyado y equilibrado.** Un buen apoyo y equilibrio permiten controlar mejor la herramienta si se produce algún imprevisto.
- **Utilice el equipo de seguridad. Lleve siempre lentes protectores.** Cuando sea adecuado, también se debe usar mascarilla antipolvo, zapatos de suela antideslizante, casco o protectores auditivos.

Uso y cuidados de la herramienta

- **Utilice abrazaderas u otro elemento adecuado para sujetar y apoyar la pieza de trabajo en una plataforma estable.** Sujetar la pieza con la mano o contra el cuerpo es inestable y facilita la pérdida de control.
- **No fuerce la herramienta. Emplee la herramienta correcta para cada aplicación.** La herramienta correcta hace el trabajo mejor y más seguro dentro del rango para el que ha sido diseñada.
- **No utilice la herramienta si el interruptor no la enciende y apaga.** Cualquier herramienta que no pueda controlarse con el interruptor es peligrosa y se debe reparar.
- **Desconecte la batería de la herramienta o ponga el interruptor en posición de bloqueo o de apagado antes de realizar ajustes, cambiar accesorios o guardar la herramienta.** Estas medidas de seguridad preventiva reducen el riesgo de poner en marcha la herramienta accidentalmente.
- **Cuando no las utilice, guarde las herramientas fuera del alcance de los niños o de cualquier persona no capacitada.** Las herramientas son peligrosas en manos de usuarios no capacitados.
- **Cuando la unidad de alimentación no esté en uso, manténgala alejada de otros objetos metálicos tales como: sujetapapeles, monedas, llaves, clavos u otros objetos metálicos pequeños que podrían generar una conexión entre sus terminales.** Provocar un cortocircuito entre los terminales de la batería puede causar chispas, quemaduras o incendios.
- **Cuide las herramientas. Conserve las herramientas de corte afiladas y limpias.** Unas herramientas adecuadamente cuidadas y con los bordes de corte afilados se atascan menos y son más fáciles de controlar.
- **Compruebe si las piezas móviles se desalinean o atascan, si hay alguna pieza rota o cualquier otra circunstancia que pueda afectar la operación de la herramienta. Si la herramienta está dañada, hágala reparar antes de usarla.** Muchos accidentes los provocan unas herramientas mal cuidadas.
- **Utilice únicamente los accesorios recomendados por el fabricante para su modelo.** Un mismo accesorio puede ser adecuado para una herramienta, pero puede crear un riesgo de lesiones si se usa en otra.

Servicio

- **El servicio a la herramienta sólo debe realizarlo personal cualificado.** El servicio o mantenimiento realizados por personal no calificado puede dar como resultado un riesgo de lesiones.
- **Al proceder al mantenimiento de una herramienta, utilice únicamente refacciones idénticas. Siga las instrucciones de la sección "Mantenimiento" de este manual.** La utilización de piezas no autorizadas o no respetar las instrucciones de mantenimiento, puede suponer un peligro de choque eléctrico o de lesiones.

Normas específicas de seguridad

- **Sujete la herramienta por sus empuñaduras aisladas si lleva a cabo una operación en que la herramienta pueda tocar cables eléctricos ocultos o su propio cable.** El contacto con un cable activo provocará que las piezas metálicas de la herramienta se carguen y que el operador reciba una descarga eléctrica.
- **Cuando trabaje sobre una escalera o andamio, asegúrese de recostar la herramienta sobre un costado cuando no esté en uso.** Algunas herramientas con unidades de alimentación grandes se pueden parar derechas pero pueden caerse fácilmente.
- **⚠️ ADVERTENCIA: Parte del polvo generado al lijar, serrar, esmerilar y taladrar, así como al realizar otras actividades del sector de la construcción, contienen productos químicos que pueden producir cáncer, defectos congénitos u otras afecciones reproductivas. Ejemplos de esas substancias químicas son:**
 - plomo procedente de pinturas a base de plomo
 - óxido de silicio cristalino procedente de ladrillos, cemento y otros productos de mampostería, y
 - arsénico y cromo procedentes de madera tratada químicamente (CCA)

El peligro derivado de estas exposiciones que usted enfrente varía en función de la frecuencia con que se realice este tipo de trabajo. Para reducir la exposición a esas sustancias químicas: trabaje en una zona bien ventilada y llevando equipos de seguridad aprobados, como mascarillas antipolvo especialmente diseñadas para filtrar partículas microscópicas.

- **Evite el contacto prolongado con el polvo procedente del lijado, serrado, esmerilado y taladrado eléctricos, así como de otras actividades del sector de la construcción. Lleve ropa protectora y lave con agua y jabón las zonas expuestas. Si permite que el polvo se introduzca en la boca u ojos o quede sobre la piel, puede favorecer la absorción de productos químicos peligrosos.**

⚠️ **PRECAUCIÓN: Utilice una protección auditiva apropiada durante el uso.** En determinadas condiciones y con utilizaciones prolongadas, el ruido generado por este producto puede favorecer la pérdida de audición.

⚠️ **ADVERTENCIA: El uso de esta herramienta puede generar o dispersar polvo lo cual puede causar lesiones respiratorias serias y permanentes y otros tipos de lesión.** Siempre use protección respiratoria aprobada por NIOSH/OSHA para la exposición al polvo. Dirija las partículas en dirección opuesta a su cara y cuerpo.

La etiqueta de su herramienta puede incluir los siguientes símbolos.

V	volts	A	amperes
Hz	hertz	W	watts
min	minutos	~	corriente alterna
====	corriente directa	no	velocidad sin carga
☐	construcción clase II	⊖	terminales de conexión a tierra
⚠️	símbolo de alerta	.../min	revoluciones o minuto seguridad

Información acerca del protector de la batería

Se han incluido protectores para el almacenaje y transporte de la batería. Estos deben ser usados cuando la batería no esté conectada a la herramienta ni en el cargador. Recuerde quitar el protector antes de poner la batería en el cargador o conectarla a la herramienta.

⚠️ **ADVERTENCIA:** No guarde ni lleve baterías, unidades de alimentación o pilas en un lugar donde sus terminales pudieran entrar en contacto con algún objeto metálico. Por ejemplo, no ponga baterías, unidades de alimentación o pilas dentro de un delantal o bolsillo, una caja de herramientas o de almacenamiento del producto, un cajón, etc., junto con clavos sueltos, tornillos, llaves, etc. si no están debidamente protegidas. El transporte de baterías, unidades de alimentación o pilas puede causar un incendio si sus terminales entran en contacto sin querer con materiales conductores como llaves, monedas, herramientas de mano y otros por el estilo. De hecho, el reglamento sobre materiales peligrosos (HMR) del Ministerio de Transporte de los Estados Unidos prohíbe el transporte de baterías, unidades de alimentación o pilas en cualquier tipo de transporte terrestre o aéreo (es decir, embaladas en maletas y maletines de mano) A NO SER que estén debidamente protegidas de hacer cortocircuito. Por lo tanto, cuando transporte baterías, unidades de alimentación o pilas individuales, asegúrese que sus terminales estén protegidos y debidamente aislados de materiales que pudieran entrar en contacto con ellos y causar un cortocircuito.

⚠️ Advertencias e instrucciones de seguridad: como cargar el taladro

1. Este manual contiene instrucciones de seguridad y operación importantes.
2. Antes de usar el cargador de batería, lea todas las instrucciones y marcas de advertencia en (1) el cargador de la batería, (2) la batería y (3) el producto que utiliza la batería.
3. ⚠️ **PRECAUCIÓN:** Para reducir el riesgo de lesión, sólo cargue unidades de alimentación Black & Decker. Otros tipos de baterías podrían reventarse y causar lesiones corporales y otros daños.
4. No exponga el cargador a lluvia o nieve.
5. El uso de un accesorio no recomendado o vendido por Black & Decker podría resultar en riesgo de incendio, descarga eléctrica o lesiones corporales.
6. Para reducir el riesgo de daño al enchufe y cable de alimentación, jale del enchufe y no del cable cuando desconecte el cargador.
7. Asegúrese que el cable no sea ubicado de manera que podría ser pisado, causar que alguien tropiece con él o ser expuesto a otro tipo de daños.
8. No se debería usar un alargador a no ser que sea absolutamente necesario. El uso de un alargador incorrecto podría resultar en riesgo de incendio, descarga eléctrica o electrocución.
- a. Cables de dos hilos pueden ser usados con alargadores de 2 ó 3 hilos. Sólo se deben usar alargadores con revestimiento redondo y recomendamos que además se encuentren en la lista de Underwriters Laboratories (U.L.). Si el alargador será utilizado en la intemperie, el cable debe ser adecuado para uso exterior. Cualquier cable marcado para uso exterior es también adecuado para uso interior. Las letras "W" o "WA" en el revestimiento del cable indican que el cable puede ser usado en la intemperie.
- b. Los hilos del alargador deben ser de un calibre apropiado (AWG o American Wire Gauge) para su seguridad y para evitar la pérdida de potencia y sobrecalentamiento. Mientras menor sea el calibre del hilo, mayor la capacidad del cable. Es decir, un hilo calibre 16 tiene mayor capacidad que uno de 18. Cuando se utilice más de un alargador para completar el largo total, asegúrese que los hilos de cada alargador tengan el calibre mínimo.

CUADRO DE CALIBRES MÍNIMOS PARA HILOS (AWG) DE ALARGADORES

POTENCIA NOMINAL AMPS – 0 – 10,0

Largo total del alargador (en metros)	7,6	15,2	22,9	30,5	38,1	45,7
Calibre de hilos	18	18	16	16	14	14

9. Sólo use el cargador que viene con la herramienta cuando cargue su taladro. El uso de cualquier otro cargador podría dañar el taladro o crear una situación de peligro.
10. Sólo use un cargador cuando la cargue.
11. No intente abrir el cargador o el taladro. No contienen piezas que puedan ser reparadas por el usuario. Devuelva a cualquier centro de servicio Black & Decker autorizado.
12. NO incinere el taladro o las unidades de alimentación aunque se encuentren gravemente dañados o completamente gastados. Las baterías pueden explotar en un incendio.
13. Las celdas de la batería pueden tener fugas pequeñas de líquido cuando han sido usadas o cargadas durante períodos demasiado largos, o bajo ciertas condiciones de temperatura. Esto no indica una falla. Sin embargo, si el sello externo ha sido roto y su piel entra en contacto con el líquido:
 - a. Lave rápidamente con jabón y agua.
 - b. Neutralice con un ácido suave como jugo de limón o vinagre.
 - c. Si el líquido de la batería le entra a los ojos, lávelos con agua limpia por al menos 10 minutos y hágase ver por un médico de inmediato. **NOTA MÉDICA:** El líquido es una solución de 25-35% de hidróxido de potasio.

La herramienta FS1800D es compatible con cualquiera de las Baterías en paquete deslizante de 18 V y Cargadores para baterías en paquete deslizante de 18 V que figuran en el siguiente cuadro. Consulte los manuales de cada cargador para ver todas las instrucciones de seguridad y funcionamiento.

Baterías en paquete deslizante de 18 V

N° de catálogo	Descripción
FSB18	Batería de 18V Firestorm
FS180BX	Batería de 18V FSXtreme
FS18BX	Batería FSXtreme de 18 voltios con 3 bornes
FS18SBX	Batería de 18V FSXtreme - Serie Silver
HPB18	Batería de 18V Black & Decker

Cargadores en paquete deslizante de 18 V

N° de catálogo	Descripción
FS18C	Cargador de base de 18V
FS180DC	Cargador de dos puertos de 18V
FS18RC	Cargador de radio de 18V
5104211-00	Cargador de tres puertos de 18V
FSMVC	Cargador rápido de 9,6V a 18V
FS240FC	Cargador de una hora de 9,6V a 24V
FS2400DC	Cargador de una hora de dos puertos de 9,6V a 24V

Notas importantes sobre la carga

1. Obtendrá una duración más prolongada y un mejor rendimiento si el paquete de baterías se carga cuando la temperatura ambiental está entre 18 °C y 24 °C (65 °F y 75 °F). NO cargue el paquete de batería con una temperatura ambiental por debajo de +4,5 °C (+40 °F) o por encima de +40,5 °C (+105 °F). Esto es importante y evitará daños graves en el paquete de baterías.
2. El cargador y el paquete de baterías pueden estar calientes al tacto durante la carga. Esto es una condición normal y no indica un problema.
3. Si el paquete de baterías no se carga adecuadamente: (1) Controle la corriente del tomacorriente; para ello enchufe una lámpara u otro artefacto. (2) Verifique si el tomacorriente está conectado a un interruptor que corta la energía cuando usted apaga la luz. (3) Mueva el cargador y el paquete de baterías a un lugar donde la temperatura ambiental sea de aproximadamente 18 °C a 24 °C (65 °F a 75 °F). (4) Si los problemas de carga persisten, lleve o envíe la herramienta, el paquete de baterías y el cargador al centro de mantenimiento local.
4. Se debe recargar el paquete de baterías cuando no produce energía suficiente para tareas que previamente realizaba con facilidad. NO CONTINUE utilizando la herramienta en estas condiciones. Siga los procedimientos de carga. También se puede cargar un paquete de baterías parcialmente usado cuando se desee, sin ningún efecto negativo sobre éstas.
5. Los paquetes de baterías Black & Decker identificados "NiMH" sólo se deben usar con cargadores identificados "NiMH" o "NiCd/NiMH".

- En determinadas condiciones, estando el cargador enchufado en el tomacorriente, algunos materiales extraños pueden provocar un cortocircuito en los contactos de carga expuestos dentro del cargador. Se deben mantener lejos de las cavidades del cargador los materiales extraños de naturaleza conductora, entre los que se incluyen la lana de acero, el papel de aluminio o cualquier acumulación de partículas metálicas. Estos son sólo algunos ejemplos y no constituyen una lista taxativa. Siempre desenchufe el cargador del tomacorriente cuando no haya un paquete de baterías en la cavidad. Desenchufe el cargador antes de intentar limpiarlo.
- No sumerja el cargador en agua ni en ningún otro líquido.
- Esta unidad de potencia esta diseñada para ser correctamente orientada en una posición vertical o de montaje en el piso.

⚠ Advertencias e instrucciones de seguridad: taladros

- Sostenga el taladro firmemente con una mano en la empuñadura y la otra en la parte de abajo de la unidad de alimentación.
- Cuando ponga accesorios en el portabrocas, ajuste el portabrocas sin llave manualmente y con firmeza.
 - ⚠ ADVERTENCIA:** El taladro puede atascarse (si está sobrecargado o no es debidamente usado), lo que causará una torsión. Siempre anticipe un atascamiento. Sujete el taladro firmemente para controlar su acción de torsión y evitar perder el control, lo cual podría causar lesiones corporales. Si llegase a ocurrir, suelte el gatillo de inmediato y determine cuál es la razón del atascamiento antes de retomar el trabajo.

Instrucciones de funcionamiento

Conmutador tipo gatillo y botón de avance y reversa - Figura 1

El taladro se enciende y apaga al tirar y soltar el gatillo, como lo muestra la **Figura 1**. Mientras más se tire del gatillo, mayor será la velocidad del taladro. Tiene un botón para cambiar la dirección de la herramienta y además sirve para bloquearla. Para seleccionar una rotación en dirección a las manillas del reloj, suelte el conmutador tipo gatillo y presione el botón de reversa como se muestra en la **Figura 1**. Para seleccionar una rotación en dirección contraria, presione el botón de reversa en la dirección opuesta. La posición central del botón de control bloquea la herramienta dejándola apagada. Cuando cambie la posición del botón de control, asegúrese de soltar el gatillo.

Control del par torsor - Figura 2

Esta herramienta viene con una rueda para seleccionar el modo de funcionamiento y fijar el par torsor para ajustar tornillos. Los tornillos grandes y piezas fabricadas con materiales duros requieren un mayor par torsor que los tornillos pequeños y piezas de materiales blandos.

- Para taladrar en madera, metal y plásticos, fije la rueda en la posición del taladro con el símbolo
- Para atornillar, fije la rueda en la posición deseada. Si no conoce la posición apropiada, haga lo siguiente:
 - Fije la rueda en la posición de menor par torsor.
 - Ajuste el primer tornillo.
 - Si el portabrocas emite un ruido de chicharra y se tranca (ratchets) antes de lograr el resultado deseado, aumente el par torsor y siga ajustando el tornillo. Repita hasta que alcance la posición correcta. Use esta configuración para los demás tornillos.

Cambios de doble rango - Figura 3

La característica de doble rango de su taladro le permite pasar cambios para una mayor versatilidad. Para seleccionar la configuración de velocidad baja y par torsor alto (posición 1), apague la herramienta y deje que se detenga. Deslice el botón para pasar cambios en dirección contraria al portabrocas. Para seleccionar la configuración de velocidad alta y par torsor bajo (posición 2), apague la herramienta y deje que se detenga. Deslice el botón para pasar cambios hacia atrás (en dirección al portabrocas). **NOTA:** No pase los cambios mientras la herramienta esté encendida. Si tiene problemas para pasar los cambios, asegúrese que el botón de cambios de doble rango esté ya sea completamente hacia adelante o completamente hacia atrás.

Portabrocas sin llave

Para insertar una broca u otro accesorio:

- Sujete la mitad posterior del portabrocas con una mano y con la otra mano gire la mitad anterior en dirección contraria a las manillas del reloj, visto desde el extremo del portabrocas.
- Inserte la broca u otro accesorio completamente dentro del portabrocas y ajuste firmemente tomándolo del cuello que se encuentra detrás del portabrocas (que contiene dos botones naranjos) y gire el portabrocas en dirección de las manillas del reloj, mirándolo desde el extremo del portabrocas.
 - ⚠ ADVERTENCIA:** No intente ajustar brocas (u otros accesorios) sujetando la parte delantera del portabrocas y encendiendo la herramienta. Puede dañar el portabrocas y causar lesiones corporales cuando cambie de accesorio.

Portabrocas desmontable con el sistema de cambio de brocas de conexión rápida quick connect^{MC} - Figura 4

Otra característica única de su taladro es la capacidad de montar y desmontar el portabrocas rápida y fácilmente. Esto permite que la broca de taladro esté en el portabrocas sin llave al tiempo que otro accesorio, como una broca de atornillador, está en el eje hexagonal Quick Connect^{MC}.

Para desmontar el portabrocas:

- Tome el taladro y presione los dos botones naranjos del cuello del portabrocas, como se muestra en la **Figura 4**.
- Mantenga presionados los botones mientras tira de él para desmontarlo.

Para cambiar el portabrocas:

- Empuje el portabrocas Quick Connect directamente con un ligero movimiento de torsión hasta que escuche un clic.
 - Para insertar una broca de atornillador en el eje hexagonal de Quick Connect^{MC}, empuje la broca hasta que escuche un clic. Para sacar la broca, sostenga el taladro como lo muestra la **Figura 5**. Aplique una presión pareja sobre el disco con resorte con dos dedos y tire de la broca para sacarla.

Atornillado

Para atornillar, el botón de reversa debe estar empujado hacia la izquierda. Use la dirección reversa (el botón empujado hacia la derecha) para destornillar. Cuando cambie la dirección siempre suelte el conmutador tipo gatillo primero.

Almacenamiento de piezas en la herramienta

Hay una ranura de almacenamiento de piezas empotrada en el área justo encima de la batería.

Taladrado

- Sólo use brocas afiladas.
- Soporte y sujete su trabajo debidamente, como se describe en las 'Instrucciones de seguridad'.
- Use el equipo de seguridad apropiado que sea necesario, como se describe en las 'Instrucciones de seguridad'.
- Sujete y mantenga su área de trabajo, como se describe en las 'Instrucciones de seguridad'.
- Haga funcionar el taladro a una velocidad bastante reducida y usando una presión ligera, hasta que el orificio sea suficientemente grande como para prevenir que la broca se deslice accidentalmente fuera de él.
- Aplique presión en línea recta con la pieza. Use suficiente presión como para que la pieza siga calando pero no demasiada para prevenir que el motor se atasque o hacer desviar la pieza.
- Sostenga el taladro firmemente con una mano en la empuñadura y la otra en la parte inferior de la unidad de alimentación para controlar la acción de torsión.
- NO INTENTE ENCENDER UN TALADRO ATASCADO PRESIONANDO Y SOLTANDO REPETIDAMENTE EL CONMUTADOR TIPO GATILLO. PUEDE DAÑAR EL TALADRO DE ESTA MANERA.**
- Minimice atascamientos al atravesar el material, reduciendo la presión ejercida y perforando la parte final del orificio lentamente.
- Mantenga el motor encendido mientras saca la pieza del orificio perforado. Esto ayudará a reducir atascamientos.
- Asegúrese que el conmutador encienda y apague el taladro.**
 - ⚠ ADVERTENCIA:** Es importante sujetar su trabajo debidamente y sujetar el taladro firmemente para prevenir la pérdida de control (figura 3), lo cual podría causar lesiones corporales. Si tiene preguntas acerca de cómo operar debidamente una herramienta, llame al **(55)5326-7100**.

Taladrado en madera

Los orificios en madera pueden hacerse con las mismas brocas de espiral usadas para perforar metal o con brocas de azada. Estas piezas deben estar afiladas y deberían ser frecuentemente extraídas de los orificios durante la perforación para limpiarlas de astillas.

Taladrado en metal

Use un lubricante de corte cuando perfore metales. Las excepciones a esta regla son el hierro fundido y el bronce, los cuales deberían ser perforados en seco. Los lubricantes de corte que funcionan mejor son el aceite sulfurizado de corte o el aceite de manteca de cerdo.

Taladrado en mampostería

Use brocas de mampostería con puntas de carburo. Refiérase a la sección de Taladrado. Aplique una fuerza pareja al taladro pero no tanta que haga que el material quebradizo se trice. Un flujo suave y parejo de polvo indica el índice apropiado de taladrado.

Detección de problemas

Problema	Causa posible	Solución posible
• La unidad no enciende.	• La batería no está bien instalada.	• Verifique la instalación de la batería.
	• La batería no carga.	• Verifique los requisitos de carga de la batería.
	• Botón de bloqueo accionado.	• Mueva el botón de bloqueo de la posición del centro.
• La batería no carga.	• La batería no está insertada en el cargador.	• Inserte la batería en el cargador hasta que se encienda la luz roja (LED).
	• El cargador no está enchufado.	• Enchufe el cargador en un tomacorriente que funcione. Para conocer más detalles, consulte "Notas importantes sobre la carga".

Para conocer la ubicación del centro de mantenimiento más cercano a fin de recibir ayuda con su producto, visite nuestro sitio Web **www.black&decker.com** o llame a la línea de ayuda BLACK & DECKER al **(55)5326-7100**.

Mantenimiento

Utilice solamente jabón suave y agua para limpiar la herramienta. Nunca permita que ningún líquido se introduzca dentro de la misma; nunca sumerja ninguna parte de la herramienta dentro de un líquido. La aplicación ocasional de un aceite para uso doméstico al eje hexagonal Quick Connect^{MC} ayudará a prevenir el óxido. **IMPORTANTE:** Las reparaciones, el mantenimiento y los ajustes del dispositivo (fuera de los mencionados en este documento) deberán ser realizados por centros de servicio autorizados u otro personal de servicio calificado, utilizando siempre repuestos idénticos, para asegurar la SEGURIDAD y FIABILIDAD de la unidad.

El sello RBRC^{MC}

El sello RBRC^{MC} (Rechargeable Battery Recycling Corporation) en las baterías (o unidades de alimentación) de níquel-cadmio indica que el costo del reciclaje de la batería o de la unidad de alimentación, al final de su vida útil, ya ha sido pagado por Black & Decker. En algunas áreas es ilegal depositar las baterías de níquel-cadmio gastadas en la basura doméstica o en los basureros municipales; el programa RBRC proporciona una alternativa medio ambiental conveniente. RBRC^{MC}, en cooperación con Black & Decker y otros usuarios de baterías, han establecido programas en los Estados Unidos y Canadá para facilitar la recolección de baterías gastadas de níquel-cadmio. Al llevar sus baterías gastadas de níquel-cadmio a un centro de servicio autorizado Black & Decker o al minorista local para proceder al reciclaje, ayuda a proteger el medio ambiente y a conservar recursos naturales. También puede comunicarse con el centro de reciclaje de su localidad para que le informen acerca de los lugares donde puede regresar las baterías gastadas, o llamar al **(55)5326-7100**



Accesorios

Los accesorios recomendados para ser utilizados con su herramienta se encuentran disponibles donde su distribuidor o centro de servicio autorizado locales. Si tiene alguna consulta acerca de estos accesorios, por favor llame al **(55)5326-7100**. **⚠ ADVERTENCIA:** El uso de un accesorio que no sea recomendado para ser utilizado con esta herramienta podría ser peligroso. Los siguientes accesorios deberían ser usados sólo en los tamaños especificados a continuación: PIEZAS PARA TALADRADO EN METAL – Hasta 9,5 mm (3/8 pulg.); PIEZAS PARA TALADRADO EN MAMPOSTERÍA – 9,5 mm (3/8 pulg.); TALADRADO EN MADERA – Hasta 12,7 mm (1/2 pulg.).

INFORMACIÓN DE SERVICIO

Black & Decker ofrece una amplia red de puntos de servicio propios y autorizados en toda Norteamérica. Todos los Centros de servicio Black & Decker cuentan con personal altamente capacitado dispuesto a brindar a todos los clientes un servicio eficiente y confiable en la reparación de herramientas eléctricas. Si necesita consejo técnico, reparaciones o piezas de repuesto originales de fábrica, póngase en contacto con el centro de servicios de Black & Decker más cercano a su domicilio. Para ubicar a su servicio local, consulte "Herramientas eléctricas (Tools-Electric)" en la sección amarilla, o llame al: **(55)5326-7100**

GARANTÍA COMPLETA DE DOS AÑOS PARA USO EN EL HOGAR

Black & Decker (EE.UU.) Inc. ofrece una garantía de dos años por cualquier defecto del material o de fabricación de este producto. El producto defectuoso se reparará o reemplazará sin costo alguno de dos maneras. La primera opción, el reemplazo, es devolver el producto al comercio donde se lo adquirió (siempre y cuando se trate de un comercio participante). Las devoluciones deben realizarse conforme a la política de devolución del comercio (generalmente, entre 30 y 90 días posteriores a la venta). Le pueden solicitar comprobante de compra. Consulte en el comercio acerca de la política especial sobre devoluciones una vez superado el plazo establecido.

La segunda opción es llevar o enviar el producto (con flete pago) a un Centro de servicio autorizado propio de Black & Decker para su reparación o reemplazo según nuestro criterio. Le pueden solicitar comprobante de compra. Encontrará una lista de los Centros de servicio autorizados y de propiedad de Black & Decker bajo "Herramientas eléctricas (Tools-Electric)" en las páginas amarillas de la guía telefónica. Esta garantía no se extiende a los accesorios. Esta garantía le concede derechos legales específicos; pueden variar según el estado. Ante cualquier inquietud, comuníquese con el Centro de servicio de Black & Decker más cercano.

Reemplazo gratuito de la etiqueta de advertencias: Si sus etiquetas de advertencia se vuelven ilegibles o faltan, llame al **(55)5326-7100** para que se le reemplacen gratuitamente.

Nota especial de GARANTÍA para Contratistas:

Los productos de marca FIRESTORM^{MC} se ofrecen como herramientas de calidad superior para uso doméstico y llevan una GARANTÍA PARA USO DOMÉSTICO. Estas herramientas son diseñadas, fabricadas y probadas para satisfacer o sobrepasar las necesidades del bricolero en la ejecución de proyectos y reparaciones en su casa y sus alrededores. El uso apropiado de esta herramienta le dará al dueño de casa una potencia y un desempeño superiores que durarán mucho más que la garantía de dos años. Sin embargo, si utiliza herramientas para su trabajo y usa productos de marca FIRESTORM^{MC} o cualquiera de las herramientas para uso doméstico Black & Decker EN SU LUGAR DE TRABAJO, debería saber que NO PODRÁ SER CUBIERTO BAJO NUESTRA GARANTÍA.

Para reparación y servicio de sus herramientas eléctricas, favor de dirigirse al Centro de Servicio más cercano:

CULIACÁN, SIN Av. Nicolás Bravo #1063 Sur (667) 7 12 42 11 Col. Industrial Bravo	MONTERREY, N.L. Av. Francisco I. Madero No.831 (81) 8375 2313 Col. Centro	TORREON, COAH Blvd. Independencia, 96 Pte. (871) 716 5265 Col. Centro
GUADALAJARA, JAL Av. La Paz #1779 (33) 3825 6978 Col. Americana Sector Juarez	PUEBLA, PUE 17 Norte #205 (222) 246 3714 Col. Centro	VERACRUZ, VER Prolongación Díaz Mirón #4280 (229)921 7016 Col. Remes
MEXICO, D.F. Eje Central Lázaro Cardenas No. 18 (55) 5588 9377 Local D, Col. Obrera	QUERETARO, QRO Av. Madero 139 Pte. (442) 214 1660 Col. Centro	VILLAHERMOSA, TAB Constitución 516-A (993) 312 5111 Col. Centro
MERIDA, YUC Calle 63 #459-A (999) 928 5038 Col. Centro	SAN LUIS POTOSI, SLP Av. Universidad 1525 (444) 814 2383 Col. San Luis	

PARA OTRAS LOCALIDADES LLAME AL: (55) 5326 7100

Vea "Herramientas eléctricas (Tools-Electric)" – Páginas amarillas – para Servicio y ventas



BLACK & DECKER S.A. DE C.V.
BOSQUES DE CIDROS ACCESO RADIATAS
NO. 42
COL. BOSQUES DE LAS LOMAS.
05120 MEXICO, D.F
TEL. 55-5326-7100