



**REPAIR PARTS LIST  
FOR  
8335C8XX SERIES  
WITH TECUMSEH COMPRESSOR**

---

**WARRANTY INFORMATION**

**PARTS RETURN**

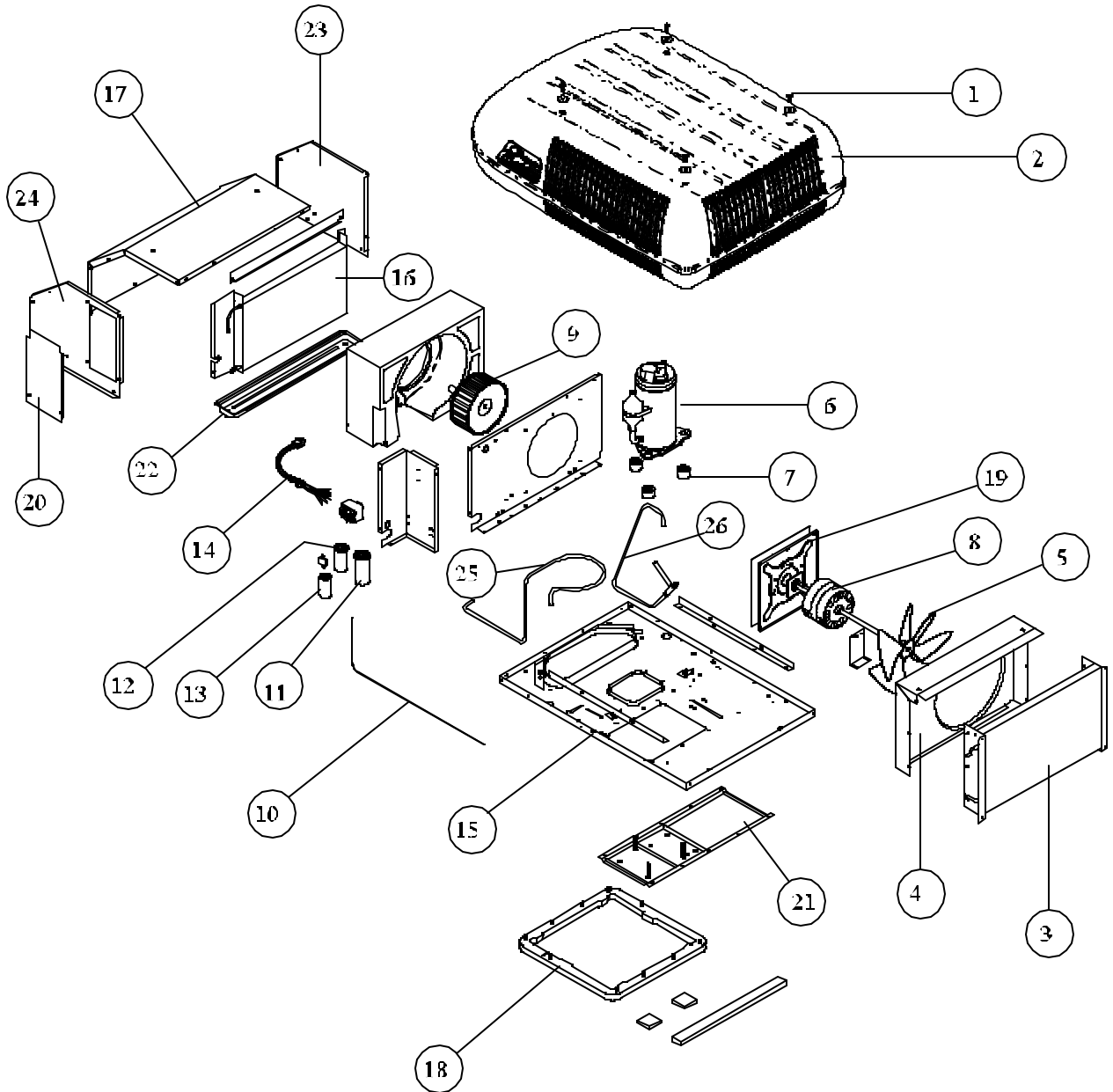
“Air Conditioning” in-warranty parts subject to return to RV Products must be sent prepaid to the following address. Always include your company’s claim or workorder along with RVP’s invoice generated from the shipment of the replacement part.

RV Products  
A Division of Airxcel, Inc.  
Attn: Warranty Return  
3050 N. St. Francis  
Wichita, KS 67219

**WRITTEN CORRESPONDENCE**

All written correspondence (no parts) should be sent to the following address:

RV Products  
A Division of Airxcel, Inc.  
Dept. 546  
P.O. Box 4020  
Wichita, KS 67204



# 8335C8XX SERIES



CODE	USED ON MODELS	PART NUMBER	DESCRIPTION	NO. REQ.
1.	All	6792-5111	Screw Nut & Washer (4 Pkg.)	1
2.	891	8333-4111	Shroud (White/White)	1
	896	8333-4161	Shroud (Arctic White/Arctic White)	1
	897	8333-4171	Shroud (Ivory/Ivory)	1
3.	All	1452A1321	Condenser Coil	1
4.	All	6792-1071	Fan Shroud	1
5.	All	6733-3221	Fan (4 Blade, 11 Dia., 40 Degree Pitch, .50 Dia. Bore)	1
6.	All	1450B2299	Compressor (Tecumseh)	1
7.	All	6759-3081	Compressor Mounting Pkg. (3 Pkg.)	1
8.	All	1468-3069	Motor (115V, 60 HZ)	1
9.	All	1472-1091	Impellor	1
10.	All	8335-135	Cap Tube (Formed)	1
11.	All	1499-5671	Run Capacitor (30 Mfd/370V)	1
12.	All	1499-5461	Fan Capacitor (7.5 Mfd/370V)	1
13.	All	8333A9021	Start Capacitor/PTCR Device	1
14.	All	8333-3751	Conduit & Wiring Assembly (6 Wires)	1
15.	All	8333A1011	Basepan (with foam scroll)	1
16.	All	1452-1521	Evaporator Coil	1
17.	All	8333A5061	Evaporator Cover Assy. With Insulation	1
ns	All	8333-3841	Filler Pad - Condenser Air Seal	1
18.	All	8332-3301	Gasket Pkg.	1
19.	All	8333-5151	Motor Mount & Shaft Seal Kit	1
20.	All	8333-109	Wirebox Door	1
21.	All	8333C5161	Spacer Plate & Pad	1
22.	All	8333-1501	Drain Pan	1
23.	All	8333-505	Side Panel Rt. With Insulation	1
24.	All	8333-507	Side Panel Lt. With Insulation	1
25.	All	8335A133	Suction Line	1
26.	All	8335A134	Discharge Line	1
ns	All	1976C136	Wiring Diagram	1
ns	All	8333A1551	Shroud Bracket	2
ns	All	6759-3791	Overload	1

## SPECIAL ORDER PARTS:

**NOTE:** All parts with three digit suffix numbers are "Special Order" Parts. These parts are subject to factory availability and require extra time for delivery.